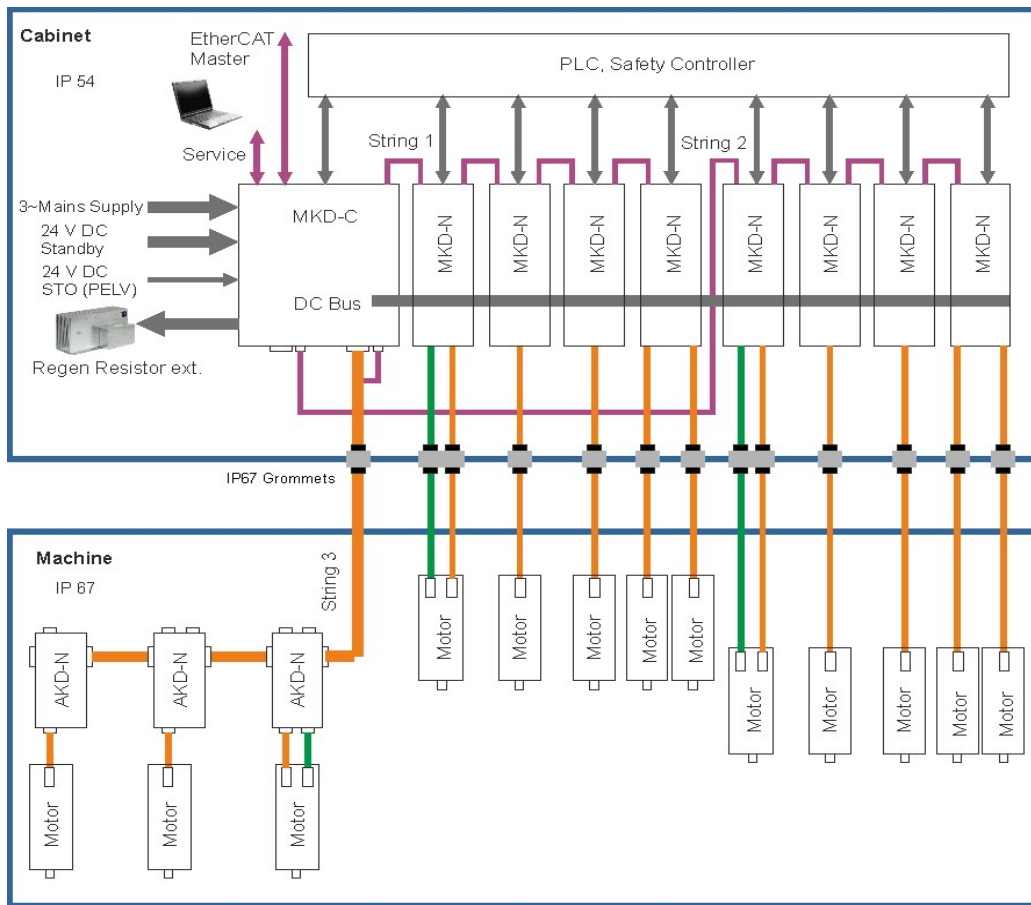


MKD[®] Multi Axes System

Installation Manual



Edition: F, July 2024

Valid for MKD-C-NA, Hardware Revision B

Valid for MKD-N, Hardware Revision B

Part Number 904-200003-00

Original Document



For safe and proper use, follow these instructions. Keep for future use.



Record of Document Revisions

Revision	Remarks
A, 01/2019	First edition
B, 07/2019	Connectors male-female corrected, MKD-C-CA added, RoHS statement, UL completed, STO certified, brake interruption added, noise emission, X23 sense changed to Up, X25 poles and pitch, fusing, faults/warnings updated
...	Table with lifecycle information of this document see (→ # 148)
C, 09/2019	Chapter used standards removed, electrical data completed, 42kA rating, DC-Bus chapter completed, SuperCap notes added, Brake interruption contact completed, UL markings updated, Chapter functional safety completed
D, 02/2020	Thermal dissipation and efficiency factor added
E, 10/2021	Global STO Input current corrected, Fusing regen resistor updated (FPS removed), AKD-N support based on AKD-N hardware revision, chapter "Shielding connection to the system modules" improved, chapter "Approvals" restructured
F, 07/2024	Conformity with UK, content referring to DVD removed/replaced, new support page, addition to RoHS and REACH conformity

Hardware Revision (HR)

MKD-N	MKD-C	Firmware	WorkBench	Remarks
A	A	from 1.18	from 1.18	MKD-C-NA and MKD-N start revisions
B	B	from 1.18	from 2.1	MKD-C and MKD-N full product range, X25 with 3 poles, SBC support, SuperCAP support

Trademarks

- EnDat is a registered trademark of Dr. Johannes Heidenhain GmbH.
- EtherCAT is a registered trademark and patented technology, licensed by Beckhoff Automation GmbH.
- HIPERFACE is a registered trademark of Max Stegmann GmbH.
- SpeedTec is a registered trademark of TE Connectivity Industrial GmbH.
- Windows is a registered trademark of Microsoft Corporation.

Current patents

- US Patent 8.154.228 (Dynamic Braking For Electric Motors)
- US Patent 8.214.063 (Auto-tune of a Control System Based on Frequency Response)
- US Patent 8.566.415 (Safe Torque Off over network wiring)
- US Patent 10.374.468 (System and method for improved DC power line communication)

Patents referring to fieldbus functions are listed in the matching fieldbus manual.

Technical changes which improve the performance of the device may be made without prior notice!

This document is the intellectual property of Kollmorgen. All rights reserved. No part of this work may be reproduced in any form (by photocopying, microfilm or any other method) or stored, processed, copied or distributed by electronic means without the written permission of Kollmorgen.

The information in this document is believed to be accurate and reliable at the time of its release. Kollmorgen assumes no responsibility for any damage or loss resulting from the use of this help, and expressly disclaims any liability or damages for loss of data, loss of use, and property damage of any kind, direct, incidental or consequential, in regard to or arising out of the performance or form of the materials presented herein or in any software programs that accompany this document.

1 Table of Contents

2	General	8
2.1	About this Manual	9
2.2	Symbols Used	9
2.3	Abbreviations Used	10
3	Product Safety	12
3.1	You should pay attention to this	13
3.2	Shock-hazard Protection	14
3.2.1	Leakage current	14
3.2.2	Residual current protective device (RCD)	15
3.2.3	Isolating transformers	15
3.3	Stop / Emergency Stop / Emergency Off	15
3.3.1	Stop	15
3.3.2	Emergency Stop	17
3.3.3	Emergency Off	17
3.4	Use as Directed	17
3.5	Prohibited Use	19
3.6	Warning note labels	19
3.6.1	Notes placed on the product	19
4	Product life cycle handling	20
4.1	Packaging	21
4.2	Transport	21
4.3	Storage	21
4.4	Installation, setup and normal operation	21
4.5	Decommissioning	22
4.6	Maintenance and cleaning	22
4.7	Disassembly	22
4.8	System Repair	23
4.9	Disposal	23
5	Package	24
5.1	Package Supplied	25
5.2	Nameplate	25
5.2.1	MKD-C modules	25
5.2.2	MKD-N modules	26
5.3	Part Number Scheme	26
5.3.1	MKD-C modules	27
5.3.2	MKD-N modules	27
6	Technical description and data	28
6.1	The MKD Multi Axes System	29
6.2	Mechanical Data	30
6.3	Performance Data	30
6.4	Electrical Data	31
6.4.1	MKD-C	31
6.4.2	MKD-N, single axis	32
6.4.3	MKD-N, dual axis	32
6.5	Fusing	33
6.5.1	External power supply and 24 V fusing	33
6.5.2	External regen resistor fusing	33
6.5.3	DC-Bus link fusing	33
6.6	Ambient Conditions in normal operation	33
6.7	Ground System	34
6.8	Connectors	34

6.9 Recommended Tightening Torques	35
6.9.1 MKD-C	35
6.9.2 MKD-N	36
6.10 Cable Requirements	36
6.10.1 MKD-C	36
6.10.2 MKD-N	38
6.11 Cable Length Definition	38
6.12 Dynamic Braking	39
6.13 Regen circuit	39
6.13.1 Functional description	40
6.13.2 Technical data	40
6.14 LED signals	40
6.14.1 MKD-C	41
6.14.2 MKD-N	41
6.14.3 RJ45 LED signals	41
6.15 Push-button (B1)	42
6.16 Rotary Switch (S1), Setting IP address	42
7 Mechanical Installation	44
7.1 Important Notes	45
7.2 Guide to Mechanical Installation	45
7.3 Dimension Drawing	46
7.4 Mounting Example	46
8 Electrical Installation	48
8.1 Important Notes	49
8.2 Guide to Electrical Installation	49
8.2.1 MKD-C	49
8.2.2 MKD-N (string 1)	51
8.2.3 AKD-N (strings 2 or 3)	51
8.3 Wiring	52
8.4 EMI Noise Reduction	53
8.4.1 Recommendations for EMI noise reduction	53
8.4.2 Shielding connection to the system modules	53
8.4.2.1 Ethernet connectors X10, X11, X18, X22, X27, X28	53
8.4.2.2 Power connectors with shield plate X12, X14, X20A, X20B, X25, X29A, X29B	53
8.4.2.3 Local fieldbus connectors X21A, X21B	54
8.4.2.4 Example for system earthing	55
8.5 System topology of an MKD drive system	55
8.5.1 System limits	55
8.5.2 Topology example with two external strings	57
8.5.3 Topology example with one external string migrated to cabinet	58
8.6 Connection Overview	59
8.6.1 Connector Position MKD-C	59
8.6.2 Connector Position MKD-N (6A, 12A)	60
8.6.3 Connector Position MKD-N (24A)	61
8.6.4 Connector Position MKD-N (48A)	62
8.6.5 Connection diagrams	63
8.6.5.1 MKD-C	63
8.6.5.2 MKD-N (6A, 12A)	64
8.6.5.3 MKD-N (24A, 48A)	65
8.6.6 Connector pin assignments	65
8.6.6.1 X9A, X9B: MKD-N, Brake interruption	66
8.6.6.2 X10, X11: MKD-C, EtherCAT Fieldbus In/Out	66
8.6.6.3 X12: MKD-C, Mains Supply	66
8.6.6.4 X13: MKD-C, 24V DC Logic Supply	67

8.6.6.5	X14: MKD-C, External regen resistor	67
8.6.6.6	X15A, X15B: MKD-C, I/O	67
8.6.6.7	X16A, X16B: MKD-C, Global STO String 2 and 3	68
8.6.6.8	X18: MKD-C, Service	68
8.6.6.9	X20A, X20B: MKD-C, String 2/3 DC Power	69
8.6.6.10	X21A, X21B: MKD-C, String 2/3 Communication	69
8.6.6.11	X22: MKD-C, String 1 Communication	69
8.6.6.12	X23: MKD-C, MKD-N, String 1 DC Power	69
8.6.6.13	X24A, X24B: MKD-N, I/O	70
8.6.6.14	X25: MKD-C, DC Bus sharing	70
8.6.6.15	X26A, X26B: MKD-N, Local STO	71
8.6.6.16	X27, X28: MKD-N, String Communication	71
8.6.6.17	X29A, X29B: MKD-N 6A or 12A, Motor Power, Brake	72
8.6.6.18	X29A: MKD-N 24A or 48A, Motor Power	72
8.6.6.19	X30A: MKD-N 24A or 48A, Motor Brake	72
8.6.6.20	X31A, X31B: MKD-N, primary Feedback 1	73
8.6.6.21	X32A, X32B: MKD-N, primary Feedback 2	73
8.6.6.22	X33A, X33B: MKD-N, secondary Feedback	74
8.7	Electrical Supply Connection	74
8.7.1	Connection to various mains supply networks	74
8.7.2	Mains supply connection (X12)	75
8.7.2.1	Three phase connection	75
8.7.3	Logic supply voltage 24 VDC (X13)	76
8.8	Drive String Connection	77
8.8.1	String 1 (central)	78
8.8.2	Strings 1 and 2 (central)	79
8.8.3	Strings 2 and 3 (decentral)	80
8.9	DC Bus link (X20, X23, X25)	81
8.9.1	DC Bus bar MKD-C to MKD-N, MKD-N to MKD-N	81
8.9.2	DC Bus Strings MKD-C to AKD-N	81
8.9.3	DC Bus sharing MKD-C to MKD-C	81
8.9.4	DC Bus sharing MKD-C-CA to Supercapacitor (SC)	82
8.9.4.1	DC bus sharing examples	83
8.9.4.2	Discharging	84
8.10	External Regen resistor (X14)	84
8.11	Motor Connection	85
8.11.1	Motor single cable connection (X29, X30, X31)	87
8.11.1.1	Motor Power and Motor Brake X29, Motor Feedback X31	88
8.11.1.2	Motor Power X29, Motor Brake X30, Motor Feedback X31	88
8.11.2	Motor dual cable connection (X29, X30, X32)	89
8.11.2.1	Motor Power and Motor Brake X29	90
8.11.2.2	Motor Power X29, Motor Brake X30	90
8.11.2.3	Motor Feedback X32	91
8.12	Secondary Feedback Connection (X33)	91
8.13	I/O Connection	92
8.13.1	Technical Data Inputs/Outputs MKD-C	92
8.13.2	Technical Data Inputs/Outputs MKD-N	93
8.13.3	Pinout MKD-C I/O connectors X15 and X16	94
8.13.4	Pinout MKD-N I/O connectors X24 and X26	95
8.13.5	Wiring of Digital Inputs (X15, X16, X24, X26)	95
8.13.5.1	Digital Inputs MKD-C (X15B)	95
8.13.5.2	Digital Inputs MKD-N (X24)	97
8.13.5.3	STO Enable inputs (X16, X26)	97
8.13.6	Wiring of Digital Outputs (X15, X24)	98

8.13.6.1	Transistor Outputs (X15B, X24)	98
8.13.6.2	Relay Output (X15A)	98
8.13.6.3	STO Status Outputs (X15A, X24)	100
8.14	Motion Bus Interface (X10/X11)	100
8.14.1	Pinout	101
8.14.2	EtherCAT	101
8.15	Service Interface (X18)	101
8.15.1	Pinout	101
8.15.2	Service Bus Protocols	102
9	Functional Safety	103
9.1	STO (Safe Torque Off)	104
9.1.1	STO Safety instructions	104
9.1.2	Use as directed	105
9.1.3	Prohibited use	105
9.1.4	Enclosure, wiring	105
9.1.5	Topology overview	106
9.1.6	OSSD test pulses	106
9.1.7	STO 24 VDC voltage supply	107
9.1.8	Safety characteristic data	107
9.1.9	Response Time	107
9.1.10	Signal diagram (sequence)	108
9.1.11	Global Safe Torque Off (Strings 2 or 3)	108
9.1.11.1	General information (global STO)	108
9.1.11.2	Technical data and connection (global STO)	108
9.1.11.3	Application example (global STO)	110
9.1.11.4	Functional description (global STO)	111
9.1.11.5	Functional test (global STO)	112
9.1.12	Local STO on MKD-N	112
9.1.12.1	General information (local STO)	112
9.1.12.2	Enclosure, wiring (local STO)	112
9.1.12.3	Technical data and connection (local STO)	112
9.1.12.4	Application example (local STO)	114
9.1.12.5	Functional description (local STO)	115
9.1.12.6	Functional test (local STO)	115
9.1.13	Local STO on AKD-N	115
9.1.13.1	General information	115
9.2	Brake interruption contact	116
9.2.1	General information	116
9.2.2	Safety instructions	116
9.2.3	Signal diagram (sequence)	116
9.2.4	Enclosure, wiring	117
9.2.5	Technical data and connection	117
10	Setup	119
10.1	Important Notes	120
10.2	Guide to setup	121
10.2.1	System addresses	121
10.2.2	System Setup	122
10.3	WorkBench Installation	122
10.3.1	Use as directed	123
10.3.2	Software description	123
10.3.3	Hardware requirements	123
10.3.4	Operating systems	123
10.3.5	Installation under Windows	124
10.4	Initial System Test	124

10.4.1 Set system addresses	124
10.4.2 Confirm connections	124
10.4.3 Install and start WorkBench	125
10.4.4 Parameterize and enable the axes in WorkBench	125
11 Appendix	126
11.1 Fault and Warning Messages	127
11.1.1 MKD-C Faults	127
11.1.2 MKD-N and AKD-N faults	129
11.2 Troubleshooting the MKD System	133
11.3 Accessories	133
11.3.1 Mains choke for MKD-C-NA	133
11.3.2 Regen resistors	134
11.3.2.1 Important notes	134
11.3.2.2 Dimensions and Data	136
11.3.3 Cables	137
11.3.3.1 Overview	137
11.4 Spare Parts	138
12 Approvals	139
12.1 Conformance with EU Machinery Directive, Functional Safety	140
12.1.1 Safe Torque Off (STO)	140
12.1.2 Brake Interruption Contact (required for SBC)	140
12.2 Conformance with EU Low Voltage and EMC directive	140
12.3 Conformance with RoHS	141
12.4 Conformance with REACH	141
12.5 Conformance with UL/cUL	141
12.6 Conformance with UK	143
13 Index	144
14 Record of Document Revisions	148
Support and Services	149

2 General

2.1 About this Manual	9
2.2 Symbols Used	9
2.3 Abbreviations Used	10

2.1 About this Installation Manual

This manual, the *MKD Multi Axes Installation Manual* describes the MKD drive system modules MKD-C power supply and MKD-N servo drive. It includes all information needed to safely install the MKD system modules.

A digital version of this manual (pdf format) can be downloaded from the Kollmorgen website.











MKD information for use consists of:

- *Product Safety Guide*: multi-language document with safety information, part of product delivery in Europe, printed on paper DIN A5.
- *Installation Manual*: This document, describes the MKD modules and includes information needed to safely install an MKD system.
Contact Kollmorgen customer support for a free printed copy of the Installation Manual.
- *WorkBench Online Help*: describes how to use the system in common applications. It also provides tips for maximizing your system performance. The *Online Help* includes the *Parameter and Command Reference Guide* which provides documentation for the parameters and commands used to program the system.
- *EtherCAT Communication*: describes how to use the system in EtherCAT applications.
- *AKD-N Installation Manual*: includes all information needed to safely install the AKD-N drive modules.




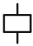






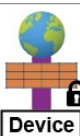
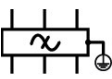
All documents can be downloaded from the [Kollmorgen Developer Network](#).

2.2 Symbols Used

Warning Symbols

Symbol	Indication
	Indicates a hazardous situation which, if not avoided, will result in death or serious injury.
	Indicates a hazardous situation which, if not avoided, could result in death or serious injury.
	Indicates a hazardous situation which, if not avoided, could result in minor or moderate injury.
	Indicates situations which, if not avoided, could result in property damage.
	This symbol indicates important notes.
	Warning of a danger (general). The type of danger is specified by the text next to the symbol.
	Warning of danger from electricity and its effects.
	Warning of danger from hot surface.
	Warning of danger from suspended loads.
	Warning of danger from automatic start.

Drawing symbols

Symbol	Description	Symbol	Description
	Signal ground		Diode
	Chassis ground		Relay
	Protective earth		Relay switch off delayed
	Resistor		Normally open contact
	Fuse		Normally closed contact
	State-of-the-art firewall		EMC filter

2.3 Abbreviations Used

Abbreviation	Meaning
(→ # 53)	"see page 53" in this document
CE	Communauté Européenne
COM	Serial interface for a personal computer
DCOM	Communication line for digital inputs
Disk	Magnetic storage (diskette, hard disk)
EEPROM	Electrically erasable programmable memory
EMC	Electromagnetic compatibility
KAS	Kollmorgen Automation Suite
KDN	Kollmorgen Developer Network
LED	Light-emitting diode
LSB	Low significant byte (or bit)
MSB	Main significant byte (or bit)
NI	Zero pulse
OSSD	Output signals Switching Device
PC	Personal computer
PE	Protective earth
PELV	Protective extra low voltage
PLC	Programmable logic control
PWM	Pulse-width modulation
RAM	Random access memory (volatile memory)
RBrake/RB	Regen resistor (also called a brake resistor)
RBext	External regen resistor
RBint	Internal regen resistor
RCD	Residual current device

Abbreviation	Meaning
RES	Resolver
ROD	Incremental encoder (A quad B)
Rth	Specific thermal resistance
SBC	Safe Brake Control
SBT	Safe Brake Test
SC	Super Capacitor
SELV	Safety Extra Low Voltage
STO	Safe torque off
tbd	To be discussed (in process)
VAC	Volts, alternating current
VDC	Volts, direct current

3 Product Safety

To avoid possible damage, read and follow the instructions.

3.1 You should pay attention to this	13
3.2 Shock-hazard Protection	14
3.3 Stop / Emergency Stop / Emergency Off	15
3.4 Use as Directed	17
3.5 Prohibited Use	19
3.6 Warning note labels	19

3.1 You should pay attention to this

Specialist staff required!

The devices are intended for industrial applications.

Machine builders must employ qualified personnel. Qualified personnel are people who have been trained to transport, install, commission, and operate electrical drives.

- Transport, storage, unpacking: Only by personnel with knowledge of handling electrostatically sensitive components.
- Mechanical installation: Only by personnel with mechanical expertise.
- Electrical installation: Only by personnel with expertise in electrical engineering.
- Basic tests / setup: Only by personnel with expertise in electrical engineering and drive technology.

The qualified personnel must know and observe ISO 12100 / IEC 60364 / IEC 60664 and national accident prevention regulations.

Read the documentation!

Read the available documentation before installation and commissioning. Improper handling of the devices can cause harm to people or damage to property. The operator of systems using the drive system must ensure that all personnel who work with the drive read and understand the manual before using the drive.

Check Hardware Revision!

Check the Hardware Revision Number of the product (see product label). Hardware Revision Number of MKD-C and MKD-N can differ from each other. This number is the link between your product and the manual. The product Hardware Revision Number must match the Hardware Revision Number on the cover page of the manual.

Pay attention to the technical data!

Adhere to the technical data and the specifications on connection conditions. If permissible voltage values or current values are exceeded, the devices can be damaged. Unsuitable motor or wrong wiring will damage the system components. Check the combination of drive and motor. Compare the rated voltage and current of the units.

Perform a risk assessment!

The manufacturer of the machine must generate a risk assessment for the machine, and take appropriate measures to ensure that unforeseen movements cannot cause injury or damage to any person or property. Additional requirements on specialist staff may also result from the risk assessment.

The manufacturer should define periodic checks of the electrical components and application.

Automatic Restart!



The drive might restart automatically after power on, voltage dip or interruption of the supply voltage, depending on the parameter setting.

Risk of death or serious injury for humans working in the machine.

If the parameter DRV.ENDEFAULT for one MKD-N is set to 1, then place a warning sign to the machine (Warning: Automatic Restart at Power On) and ensure, that power on is not possible, while humans are in a dangerous zone of the machine. In case of using an undervoltage protection device, you must observe EN 60204-1:2006 chapter 7.5 .

Observe electrostatically sensitive components!

The devices contain electrostatically sensitive components which may be damaged by incorrect handling. Electrostatically discharge your body before touching the device. Avoid contact with highly insulating materials (artificial fabrics, plastic film etc.). Place the device on a conductive surface.

Hot surface!

Drives may have hot surfaces during operation. The housing can reach temperatures above 80 °C. Risk of minor burns! Measure the temperature, and wait until the housing has cooled down below 40 °C before touching it.

Earthing!

It is vital that you ensure that the drive is safely earthed to the PE (protective earth) busbar in the switch cabinet. Risk of electric shock. Without low-resistance earthing no personal protection can be guaranteed.

Leakage Current!

Since the leakage current to PE is more than 3.5 mA, in compliance with IEC61800-5-1 the PE connection must either be doubled or a connecting cable with a cross-section >10 mm² must be used. Deviating measures according to regional standards might be possible.

Residual current protective or monitoring devices!

MKD-C with MKD-N can cause a d.c. current in the protective earthing conductor. Where a residual current-operated protective (RCD) or monitoring (RCM) device is used for protection in case of direct or indirect contact, only an RCD or RCM of Type B is allowed on the supply side of MKD-C.

Lethal voltages!

The equipment produces high electric voltages up to 900V. Lethal danger exists at live parts of the device. Do not open or touch the equipment during operation. Keep the IP 54 cabinet doors closed during operation. Built-in protection measures such as insulation or shielding may not be removed. Work on the electrical installation may only be performed with switched off mains supply, and secured against restart.

Never undo any electrical connections to the MKD while it is live. There is a danger of electrical arcing with damage to contacts and personal injury. Wait at least 5 minutes after disconnecting the product from the supply voltages before touching potentially live sections of the equipment or removing any connections.

Ensure the MKD-N DC-Bus link cover is installed on the last MKD-N before switching on mains power.

High noise pollution!

Fans generate noise of up to 90 dBA when operating at maximum load. This can lead to hearing damage. Keep the cabinet doors closed during operation. Use ear protection if the control cabinet has to be opened during servicing. The operator must provide ear protection and monitor its use depending on the daily noise exposure level determined.

Functional Safety!

The STO safety implementation on the MKD is certified. The brake interruption input can be used to realize an SBC function. The assessment of the safety functions according to EN13849 or EN 62061 must finally be done by the user.

Never modify the drive!

It is not allowed to modify the drive hardware without permission by the manufacturer. Opening the housing causes loss of warranty.

3.2 Shock-hazard Protection**3.2.1 Leakage current**

Leakage current via the PE conductor results from the combination of equipment and cable leakage currents. The leakage current frequency pattern includes a number of frequencies, whereby the residual-current circuit breakers definitively evaluate the 50 Hz current. For this reason, the leakage current cannot be measured using a conventional multimeter.

NOTE

Since the leakage current to PE is more than 3.5 mA, in compliance with IEC61800-5-1 the PE connection must either be doubled or a connecting cable with a cross-section >10 mm² must be used. Deviating measures according to regional standards might be possible

3.2.2 Residual current protective device (RCD)**NOTE**

MKD-C with connected MKD-N and AKD-N can cause a d.c. current in the protective earthing conductor. Where a residual current-operated protective (RCD) or monitoring (RCM) device is used for protection in case of direct or indirect contact, only an RCD or RCM of Type B is allowed on the supply side of MKD-C.

In conformity with IEC 60364-4-41 – Regulations for installation and IEC 60204 – Electrical equipment of machinery, residual current protective devices (RCDs) can be used provided the requisite regulations are complied with.

The MKD-C is a 3-phase system with a B6 bridge. Therefore, RCDs which are sensitive to all currents must be used in order to detect any DC fault current.

Rated residual currents in the RCDs:

10 to 30 mA	Protection against "indirect contact" (personal fire protection) for stationary and mobile equipment, as well as for "direct contact".
50 to 300 mA	Protection against "indirect contact" (personal fire protection) for stationary equipment

If you use a selective RCD, the more intelligent evaluation process will prevent spurious tripping of the RCD.

3.2.3 Isolating transformers

When protection against indirect contact is absolutely essential despite a higher leakage current, or when an alternative form of shock-hazard protection is sought, the MKD can also be operated via an isolating transformer (schematic connection (→ # 74). A ground-leakage monitor can be used to monitor for short circuits.

NOTE

Keep the length of wiring between the transformer and the drive as short as possible.

3.3 Stop / Emergency Stop / Emergency Off

The control functions Stop, Emergency Stop and Emergency Off are defined by IEC 60204. Notes for safety aspects of these functions can be found in ISO 13849 and IEC 62061.

NOTE

The parameter DRV.DISMODE must be set to 2 to implement the different stop categories. Consult the *WorkBench Online Help* for configuring the parameter.

**WARNING Vertical load can fall!**

Serious injury could result when a suspended load is not properly blocked. Functional safety, e.g. with hanging load (vertical axes), requires a safely operated brake, for example by a safety control via the brake interruption input (→ # 116), in process. Depending on the requested safety level a second (external) brake must be installed.

- Add a safe mechanical blocking (for instance, a motor-holding brake).
- Set parameter MOTOR.BRAKEIMM to 1 with vertical axes, to apply the motor holding brake immediately after faults or Hardware Disable.

3.3.1 Stop

The stop function shuts down the machine in normal operation. The stop function is defined by IEC 60204.

NOTE

The Stop Category must be determined by a risk evaluation of the machine.

Stop function must have priority over assigned start functions. The following stop categories are defined:

Stop Category 0

Shut-down by immediate switching-off the energy supply to the drive machinery (this is an uncontrolled shut-down). With the safety function STO the drive can be stopped using its internal electronics (IEC 62061 SIL2).

Stop Category 1

A controlled shut-down, whereby the energy supply to the drive machinery is maintained to perform the shut-down, and the energy supply is only interrupted when the shut-down has been completed.

Stop Category 2

A controlled shut-down, whereby the energy supply to the drive machinery is maintained.

Stop Category 0 and Stop Category 1 stops must be operable independently of the operating mode, whereby a Category 0 stop must have priority.

If necessary, provision must be made for the connection of protective devices and lock-outs. If applicable, the stop function must signal its status to the control logic. A reset of the stop function must not create a hazardous situation.

3.3.2 Emergency Stop

The Emergency Stop function is used for the fastest possible shutdown of the machine in a dangerous situation. The Emergency Stop function is defined by IEC 60204. Principles of emergency stop devices and functional aspects are defined in ISO 13850.

The Emergency Stop function will be triggered by the manual actions of a single person. It must be fully functional and available at all times. The user must understand instantly how to operate this mechanism (without consulting references or instructions).

NOTE

The Stop Category for the Emergency Stop must be determined by a risk evaluation of the machine.

In addition to the requirements for stop, the Emergency Stop must fulfil the following requirements:

- Emergency Stop must have priority over all other functions and controls in all operating modes.
- The energy supply to any drive machinery that could cause dangerous situations must be switched off as fast as possible, without causing any further hazards (Stop Category 0) or must be controlled in such a way, that any movement that causes danger, is stopped as fast as possible (Stop Category 1).
- The reset must not initiate a restart.

3.3.3 Emergency Off

The Emergency Off function is used to switch-off the electrical power supply of the machine. This is done to prevent users from any risk from electrical energy (for example electrical impact). Functional aspects for Emergency Off are defined in IEC 60364-5-53.

The Emergency Off function will be triggered by the manual actions of a single person.

NOTE

The result of a risk evaluation of the machine determines the necessity for an Emergency Off function.

Emergency Off is done by switching off the supply energy by electro-mechanical switching devices. This results in a category 0 stop. If this stop category is not possible in the application, then the Emergency Off function must be replaced by other measures (for example by protection against direct touching).

3.4 Use as Directed

The MKD-C series power supplies are exclusively intended for operating MKD-N servo drive modules within a cabinet and AKD-N decentralized servo drives.

The MKD-N family of servo drives is exclusively intended for driving suitable synchronous servomotors with closed-loop control of torque, speed, and/or position.

MKD system modules are components that are built into electrical plants or machines and can only be operated as integral components of these plants or machines. The manufacturer of the machine must generate a risk assessment for the machine. The drive must not be used until it has been established that the machine or plant fulfills the requirements of the regional directives.

Kollmorgen multi axes drive system

MKD must only be operated in a motion system with components from Kollmorgen. Required additional Kollmorgen components are the mains chokes, hybrid string cables, hybrid motor cables, motor power and feedback cables, servomotors.

Assembling

MKD modules must only be operated in environments suitable for the ambient conditions defined on (→ # 33).

Wiring

Use only Kollmorgen cables for connecting the system components.

Power supply

MKD-C must be powered from a 3 phase industrial supply network (not more than 42 kA symmetrical rated current at 400 V and 480 V) via a mains choke 3L.

MKD-N drive modules must be powered from MKD-C intelligent power supply modules with DC voltage from 55 VDC up to 800 VDC.

Fusing

The devices must be operated with fuse protection against power overload.

Motor voltage rating

The rated voltage of the motors must be at least as high as the DC bus link voltage divided by $\sqrt{2}$ produced by the drive ($U_{nMotor} \geq U_{DC} / \sqrt{2}$).

For the cases of group installations and of DC powered drives

NOTICE

MKD-C has not been evaluated by Kollmorgen, UL, or TÜV for group installations nor are ratings defined for DC input voltage.

Auxiliary voltage supply, Standby power

Standby power for the drive strings must only be used for supplying the MKD-N electronics. 24 VDC supply unit must accord to PELV (EN 60204-1) requirements.

Safe torque off

Review the section "Use as Directed" in the STO chapter (→ # 104) before using this safety function. 24 VDC supply unit for global STO supply must accord to PELV (EN 60204-1) requirements.

3.5 Prohibited Use

Other use than that described in chapter “Use as directed” is not intended and can lead to personnel injuries and equipment damage.

The system may not be used

- with a machine that does not comply with appropriate national directives or standards,
- for driving elevators,
- in applications with continuous, operational short circuits to the external regen resistor contacts.
- in applications with any short circuits to the DC-Bus link contacts.

The use of the device in the following environments is also prohibited:

- potentially explosive areas
- environments with corrosive and/or electrically conductive acids, alkaline solutions, oils, vapors, dusts
- ships or offshore applications

Wiring the system with hybrid cables from other manufacturers than Kollmorgen is not allowed. Changing Kollmorgen cables or connectors is not allowed.

3.6 Warning note labels

NOTICE

If these signs are damaged, they must be replaced immediately.

3.6.1 Notes placed on the product



The minimum size of the protective earthing conductor shall comply with the local safety regulations for high protectice earthing conductor current.



Residual Voltage
Wait 5 minutes after removing power before servicing.

In a system with supercapacitors, the waiting time for servicing can increase. Based on the risk assessment, the user must attach additional warning labels in the control cabinet.

4 Product life cycle handling

4.1 Packaging	21
4.2 Transport	21
4.3 Storage	21
4.4 Installation, setup and normal operation	21
4.5 Decommissioning	22
4.6 Maintenance and cleaning	22
4.7 Disassembly	22
4.8 System Repair	23
4.9 Disposal	23

4.1 Packaging

The MKD packaging consists of recyclable cardboard with inserts and a label on the outside of the box.

Model	Package Dimensions (mm) HxWxL	Total Weight (kg)
MKD-C003007-NA	580 x 350 x 170	22.5
MKD-C001007-CA	580 x 350 x 170	22.5
MKD-N060007, MKD-N060607, MKD-N120007, MKD-N120607, MKD-N121207	580 x 350 x 110	8.5
MKD-N240007	580 x 350 x 110	9.5
MKD-N480007	580 x 350 x 140	11.5

4.2 Transport

Transport the MKD modules in accordance with IEC 61800-2 as follows:

- Transport only by qualified personnel in the manufacturer's original recyclable packaging.
- Avoid shocks while transporting.
- Vibration/Shock: the modules are tested for environmental class 3M1 of IEC 60721-3-2.
- Store at or below maximum stacking height of 8 cartons
- Transport only within specified temperature ranges:
-25 to +70 °C, max. rate of change 20 K/hour, class 2K3.
- Transport only within specified humidity:
maximum 95% relative humidity, no condensation, class 2K3.

NOTICE

The devices contain electrostatically sensitive components that can be damaged by incorrect handling. Electrostatically discharge yourself before touching the device. Avoid contact with highly insulating materials, such as artificial fabrics and plastic films. Place the device on a conductive surface.

If the packaging is damaged, check the unit for visible damage. Inform the shipper and the manufacturer of any damage to the package or product.

4.3 Storage

Store the MKD modules in accordance with IEC 61800-2 as follows:

- Store only in the manufacturer's original recyclable packaging.
- Store at or below maximum stacking height of 8 cartons
- Store only within specified temperature ranges:
-25 to +55 °C, max.rate of change 20 K/hour, class 1K4.
- Storage only within specified humidity:
5 to 95% relative humidity, no condensation, class 1K3.
- Store the MKD in accordance with the following duration requirements:
 - Less than 1 year: without restriction.
 - More than 1 year: capacitors in the MKD-C must be re-formed before setting up and operating the system. Re-forming procedures are described in the Kollmorgen Developer Network ([Forming](#)).

4.4 Installation, setup and normal operation

Installation and setup information are given in this manual:

- Mechanical installation (→ # 44)
- Electrical installation (→ # 48)
- Setup (→ # 119)

Normal operation tested for environmental class 3K3 according to IEC 61800-2 (→ # 33).

The manufacturer of the machine defines the necessary end user expertise based on the risk assessment for the machine and describes the requirements for normal operation based on the application.

4.5 Decommissioning

NOTICE

Only professional staff who are qualified in electrical engineering are allowed to decommission parts of the system.

DANGER: Lethal Voltages!

There is a danger of serious personal injury or death by electrical shock or electrical arcing.

- Switch off the main switch of the switchgear cabinet.
- Secure the system against restarting.
- Block the main switch.
- Wait at least 5 minutes after disconnecting.

4.6 Maintenance and cleaning

The device does not require maintenance, it should be inspected once a year by professional staff.

NOTICE

Do not immerse or spray the device. Avoid that liquid enters the device. The inside of the unit can only be cleaned by the manufacturer. Opening the device voids the warranty.

To clean the device exterior:

1. Decommission the device (see chapter 4.5 "Decommissioning").
2. Casing: Clean with Isopropanol or similar cleaning solution.
Caution : Highly Flammable! Risk of injury by explosion and fire.
 - Observe the safety notes given on the cleaning liquid package.
 - Wait at least 30 minutes after cleaning before putting the device back into operation.
3. Protective grill on fan: Clean with a dry brush.

4.7 Disassembly

NOTICE

Only professional staff who are qualified in electrical engineering are allowed to disassemble parts of the system.

1. Decommission the device (see chapter 4.5 "Decommissioning").
2. Check temperature.
CAUTION: High Temperature! Risk of minor burns. During operation, the heat sink of the drive may reach temperatures above 80 °C (176 °F). Before touching the device, check the temperature and wait until it has cooled below 40 °C (104 °F).
3. Remove the connectors. Disconnect the potential earth connection last.
4. Demount: loosen the fastening screws. Remove the device.

4.8 System Repair

NOTICE

Only professional staff who are qualified in electrical engineering are allowed to exchange parts of the drive system.

CAUTION: Automatic Start! During replacement work a combination of hazards and multiple episodes may occur.

- Work on the electrical installation may only be performed by trained and qualified personnel, in compliance with the regulations for safety at work, and only with use of prescribed personal safety equipment.

Exchange of the device

Only the manufacturer can repair the device. Opening the device voids the warranty.

1. Decommission the device (see chapter 4.5 "Decommissioning").
2. Demount the device (see chapter 4.7 "Disassembly").
3. Send the device to the manufacturer.
4. Install a new device as described in the Installation Manual.
5. Setup the system as described in the Installation Manual.

Exchange of other drive system parts

If parts of the drive system (for example cables) must be replaced, proceed as follows:

1. Decommission the device (see chapter 4.5 "Decommissioning").
2. Exchange the parts.
3. Check all connections for correct fastening.
4. Setup the system as described in the Installation Manual.

4.9 Disposal

NOTICE

To dispose the unit properly, contact a certified electronic scrap disposal merchant.

In accordance with the WEEE-2012/19/EU guideline and similar, the manufacturer accepts returns of old devices and accessories for professional disposal. Transport costs are the responsibility of the sender.

Contact Kollmorgen and clarify the logistics.

Send the devices in the original packaging to the manufacturer address:

North America	South America
KOLLMORGEN 201 West Rock Road Radford, VA 24141, USA	Altra Industrial Motion do Brasil Equipamentos Industriais LTDA. Avenida João Paulo Ablas, 2970 Jardim da Glória, Cotia – SP CEP 06711-250, Brazil
Europe	Asia
KOLLMORGEN Europe GmbH Pempelfurtstr. 1 40880 Ratingen, Germany	KOLLMORGEN Room 302, Building 5, Lihpao Plaza, 88 Shenbin Road, Minhang District, Shanghai, China.

5 Package

5.1 Package Supplied	25
5.2 Nameplate	25
5.3 Part Number Scheme	26

5.1 Package Supplied

Available MKD Modules

Variant	Description	Power	Remarks
MKD-C003007-NAEC	Central Power supply	30 kW	Standard
MKD-C001007-CAEC	Central Power supply	10 kW	External Capacitor
MKD-N060007-DSEC	Drive Module	2.5 kW	Single Axis, 6A
MKD-N060607-DSEC	Drive Module	5 kW	Dual Axes, 2 x 6A
MKD-N120007-DSEC	Drive Module	5 kW	Single Axis, 12A
MKD-N120607-DSEC	Drive Module	7.5 kW	Dual Axes, 12A + 6A
MKD-N121207-DSEC	Drive Module	10 kW	Dual Axes, 2 x 12A
MKD-N240007-DSEC	Drive Module	10 kW	Single Axis, 24A
MKD-N480007-DSEC	Drive Module	20 kW	Single Axis, 48A

When a MKD module is ordered, the following items are included in the package:

MKD-C package:

- The ordered module itself
- Printed copy of *MKD Product Safety Guide*
- Mating connectors MKD-C: X12, X13, X14, X15, X16, X25
- One MKD-N DC-Bus link cover
- Two connector covers M23 for AKD-N

NOTE

The M23 connector covers are required for protecting X2 of the last AKD-N in the strings.

MKD-N package:

- The ordered module itself
- MKD-N Data Sheet
- Mating connectors MKD-N: X9, X24, X26

Accessories:

Accessories must be ordered separately if required.

- Mains choke (→ # 133)
- External regen resistor (→ # 134)
- Cables (→ # 137)
- Cabinet grommets (→ # 80)

Accessories for AKD-N see regional *Accessories Manual* or *AKD-N Installation Manual*.

Spare parts

Connectors and Connector Kits can be ordered as spare parts (→ # 138).

5.2 Nameplate

The nameplates depicted below are attached to the side of the device. Pictures are similar to the nameplates on the device.

5.2.1 MKD-C modules

Example for MKD-C-NA

KOLLMORGEN Customer Support: HW Rev: A

Pempelfurtstr. 1 North America: +1 (540) 633-3400
 40880 Ratingen Europe: +49 (0) 2102-9394-0
 Germany Italy: +39 (0) 362-594260

Model No: MKD-C003007-NAEC-E000
 Serial No: D-1913-20000
 MAC-Address: 00:23:1B:30:60:1A

UK CA LISTED E217428 IND. CONT. EQ. 1VD4
RoHS CE

	Control Circuit	Input-Main	Output-String 1	Output-String 2+3
Voltage	24 Vdc	400 to 480 Vac	max 680 Vdc	max 680 Vdc
Frequency		50/60 Hz	dc	dc
Phase		3 Ph	1 Ph	1 Ph
FL Current	max. 35 A	50 to 44 Arms	57 A dc	17 Arms
Power		30 kVA	30 kW	10 kW

Surrounding Air Temperature: Max. 40°C
 Enclosure Protection Rating: IP 20

Before use, refer to documents for installation and safety.
 Patents Pending www.kollmorgen.com

Front

MKD-C003007-NAEC-E000
 Serial No: D-1913-20000
 MAC-Address:
 00:23:1B:30:60:1A

5.2.2 MKD-N modules

Example for MKD-N single axis, 6A

KOLLMORGEN Customer Support: HW Rev: A

Pempelfurtstr. 1 North America: +1 (540) 633-3400
 40880 Ratingen Europe: +49 (0) 2102-9394-0
 Germany Italy: +39 (0) 362-594260

Model No: MKD-N060007-DSEC-E000
 Serial No: D-1912-20005

UK CA LISTED E217428 IND. CONT. EQ. 1VD4
RoHS CE

DC-Input	Output	axis 1	axis 2
Voltage	560-680 Vdc	0-480 Vac	-
Frequency	-	0-600 Hz	-
Phase	-	3 Ph	-
FL Current	4.6 A dc	6 Arms	-
Power	2.6 kVA	8 kHz	-

Surrounding Air Temperature: Max. 40°C
 Enclosure Protection Rating: IP 20

Before use, refer to documents for installation and safety.
 Patents Pending www.kollmorgen.com

Front

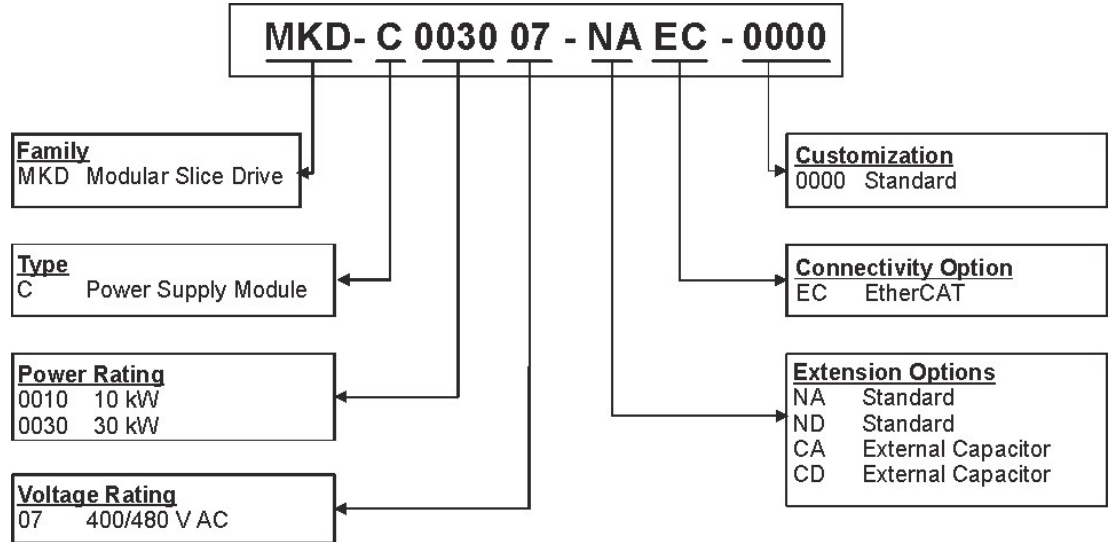
MKD-N060007-DSEC-E000
 Serial No: D-1912-20005
 MAC-Address1
 00:23:1B:30:60:14
 MAC-Address2

5.3 Part Number Scheme

Use the part number scheme for product identification only.

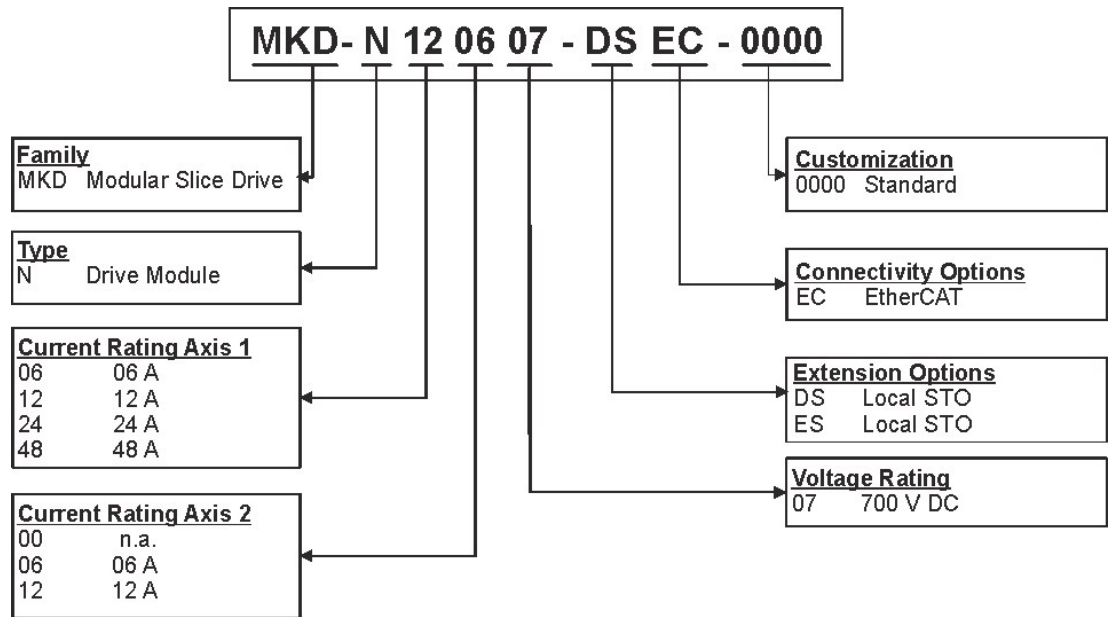
Do not use it for the order process because not all features can always be combined among each other.

5.3.1 MKD-C modules



Customization code coding for customer specials (not relevant for functional safety).

5.3.2 MKD-N modules



Available drive modules:

Single Axis	Current rating		Dual Axes	Current rating	
	Axis 1	Axis 2		Axis 1	Axis 2
MKD-N0600	06 A	-	MKD-N0606	06 A	06 A
MKD-N1200	12 A	-	MKD-N1206	12 A	06 A
MKD-N2400	24 A	-	MKD-N1212	12 A	12 A
MKD-N4800	48 A	-			

Customization code coding for customer specials (not relevant for functional safety).

6 Technical description and data

6.1	The MKD Multi Axes System	29
6.2	Mechanical Data	30
6.3	Performance Data	30
6.4	Electrical Data	31
6.5	Fusing	33
6.6	Ambient Conditions in normal operation	33
6.7	Ground System	34
6.8	Connectors	34
6.9	Recommended Tightening Torques	35
6.10	Cable Requirements	36
6.11	Cable Length Definition	38
6.12	Dynamic Braking	39
6.13	Regen circuit	39
6.14	LED signals	40
6.15	Push-button (B1)	42
6.16	Rotary Switch (S1), Setting IP address	42

6.1 The MKD Multi Axes System

Standard features

MKD-C	MKD-N
<ul style="list-style-type: none"> •Supply voltage 400 V to 480 V $\pm 10\%$. •Mains EMC filter and 24 V EMC filter integrated. <ul style="list-style-type: none"> •EtherCAT bus onboard. •TCP/IP service channel 100 Mbit/s onboard. •Safe Torque Off (STO) according to IEC 62061 SIL 2 onboard. •Supports up to 42 drive axes. 	<ul style="list-style-type: none"> •Supply voltage 55 VDC to 800 VDC <ul style="list-style-type: none"> •Motion bus onboard. •SFD3, EnDat 2.1 & 2.2, BiSS, HIPERFACE DSL •Local Safe Torque Off (STO) according to IEC 62061 SIL 2 onboard. •Use with synchronous servomotors, linear motors, and induction machines.

Power section

MKD-C	MKD-N
<ul style="list-style-type: none"> •Three phase supply, maximum voltage range 360 to 528 V, 47 to 65 Hz. •B6 bridge rectifier, integral soft-start circuit. <ul style="list-style-type: none"> •Fusing to be provided by the user. •DC power split to three connectors (strings) for up to 42 drive axes. •DC power voltage range 565 to 680 VDC •Standby DC string power voltage 55 VDC $\pm 10\%$ (generated from 24 VDC) •Regen circuit for all connected drive modules. •External regen resistor if required. 	<ul style="list-style-type: none"> •DC power supply, voltage range 55 VDC to 800 VDC. •Output stage IGBT module with floating current measurement.

Integrated safety

- Appropriate insulation/creepage distances and electrical isolation for safe electrical separation, per IEC 61800-5-1, between the power input/DC bus connections and the signal electronics.
- Soft-start, overvoltage detection, short-circuit protection, phase-failure monitoring.
- Temperature monitoring.
- Safe Torque Off up to SIL 2 in accordance with IEC 62061 , (→ # 104).
- Safe Brake Interruption for realization of SBC up to SIL2/PLd (in process)

Supply voltage 24V DC (electronic supply and standby voltage)

- From an external, 24 V $\pm 10\%$ PELV power supply, minimum 1 kW.

STO voltage 24V DC (functional safety circuits)

- From an external, 24 V $\pm 10\%$ PELV power supply, or from safety controller. Power depends on application.

Operation and parameter setting

- Use WorkBench for setup via TCP/IP.

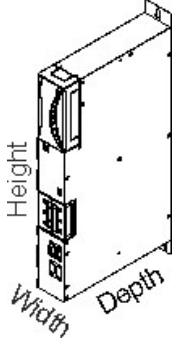
Full digital control MKD-N

- Digital current controller (670 ns)
- Adjustable digital velocity controller (62.5 μ s)
- Software option position controller (250 μ s)

Inputs/Outputs

MKD-C	MKD-N
<ul style="list-style-type: none"> •1 programmable digital output •1 programmable relay output (fault) <ul style="list-style-type: none"> •1 Enable input •2 programmable digital inputs •2 STO inputs (one per string) •2 STO status outputs (one per string) <ul style="list-style-type: none"> •Service Interface •EtherCAT Interface 	<ul style="list-style-type: none"> •6 programmable digital inputs (3 per axis) •2 programmable digital output (one per axis) <ul style="list-style-type: none"> •2 STO inputs (one per axis) •2 STO status outputs (one per axis) •Two wire feedback interface (SFD3, DSL) <ul style="list-style-type: none"> •Conventional feedback interface •Secondary feedback interface

6.2 Mechanical Data

	Units	MKD-C	MKD-N								
			6A	6A 6A	12A	12A 6A	12A 12A	24A	48A		
 Weight	kg	20	5.6	6.1	5.8	6.3	6.5	7.3	9.2		
Height, without connectors	mm	450	450								
Height, with connectors	mm	800	500					590			
Width	mm	130	65						100		
Depth, without connectors	mm	260	260								
Depth, with connectors	mm	260	300								

6.3 Performance Data

Performance Data	Units	MKD-N 6...12A	MKD-N 24...48A
Switching frequency of output stage	kHz	8	
Voltage rise speed dU/dt	kV/ μ s	7.2	
Bandwidth of current controller	kHz	2.5	
Bandwidth of velocity controller (scalable)	Hz	0 to 750	0 to 600
Bandwidth of position controller (scalable)	Hz	1 to 250	
Maximum motor frequency	Hz	599	

6.4 Electrical Data

6.4.1 MKD-C

Electrical data	Units	MKD-C-NA	MKD-C-CA
Rated supply voltage (L1, L2, L3)	V~	3 x 400 V to 3 x 480 V, $\pm 10\%$	
Rated supply input frequency	Hz	50 Hz / 60 Hz	
Rated input power	kVA	30	10
Rated input current			
at 3x400 V~	A	44	15
at 3x480 V~	A	36	12
Permitted switch on/off frequency, mains	1/h	30	30
Max. inrush current	A	20	20
Rated DC bus link voltage (Bus Turn on Delay 3ph 1 sec)	VDC	565 to 680	
Standby DC power voltage	VDC	55 $\pm 10\%$	
Continuous total output current			
at 565 VDC	A=	53	17.6
at 680 VDC	A=	44	14.6
Peak total output current (for 1 s, $\pm 3\%$)			
at 565 VDC	A=	159	
at 680 VDC	A=	132	
Continuous output power	kVA	30	
Rated output power			
continuous (string 1 / 2 / 3)	kVA	30 / 10 / 10	depends on SC and load cycle
peak for 1 sec (string 1 / 2 / 3)	kVA	90 / 30 / 30	90 / 30 / 30
Peak total output power (1 sec every 15 sec)*	kVA	90	
Technical data for regen circuit	—	(→ # 39)	
Thermal dissipation at 24V standby (no drive axis)	W	17	
Thermal dissipation at rated current (without regen power)	W	375	250**
Efficiency factor	%	98.7	97.6**
Noise emission (low speed / high speed fan)	dB(A)	40 / 90	
Aux. voltage supply (PELV)	VDC	24 V ($\pm 10\%$, check voltage drop)	
Aux. voltage supply current			
maximum required	A=	40	
per axis without brake	A=	0.33	
Aux. voltage inrush current	A=	16	
Protection class	-	IP20	

* Do not exceed continuous rating of 30 kW over the profile cycle.

** Two MKD-C CA are operated in parallel via DC bus sharing with a current limit set to 20A

6.4.2 MKD-N, single axis

Electrical data	Units	MKD-N0600	MKD-N1200	MKD-N2400	MKD-N4800
Rated supply voltage	VDC	565 to 680			
Standby supply voltage	VDC	55			
Rated input power for continuous operation	kVA	2.6	4.5	8.5	16.3
Rated input current at 565 VDC	A	4.6	8.1	15.3	30.8
Rated input current at 680 VDC	A	3.8	6.7	12.7	25.4
Continuous output current (± 3%)					
Axis	Arms	6	12	24	48
Module	Arms	6	12	24	48
Peak output current (for 5 s, ± 3%)					
Axis	Arms	18	30	48	96
Module	Arms	18	30	48	96
Continuous output power	kW	2.5	5	10	20
Peak output power (for 5 s)	kW	7.5	12.5	20	40
Motor inductance min.	mH	3.2	2.5	1.2	0.6
Motor inductance max.	mH	300	250	120	60
Thermal dissipation, output stage disable	W	16	15	22	21
Thermal dissipation at rated current	W	155	220	440	725
Efficiency factor (IE2)	%	90	92	96.5	97.5
Motor holding brake current, max.	A	1.6	1.6	2.2	2.2

6.4.3 MKD-N, dual axis

Electrical data	Units	MKD-N0606	MKD-N1206	MKD-N1212
Rated supply voltage	VDC	565 to 680		
Standby supply voltage	VDC	55		
Rated input power for continuous operation	kVA	4.5	6.5	8.5
Rated input current at 565 VDC	A	8.1	11.7	15.3
Rated input current at 680 VDC	A	6.7	9.7	12.7
Continuous output current (± 3%)				
Axis 1 / 2	Arms	6 / 6	12 / 6	12 / 12
Module	Arms	12	18	24
Peak output current (for 5 s, ± 3%)				
Axis 1 / 2	Arms	18 / 18	18 / 30	30 / 30
Module	Arms	36	48	60
Continuous output power	kW	5	7.5	10
Peak output power (for 5 s)	kW	15	20	25
Motor inductance min.	mH	3.2 / 3.2	2.5 / 3.2	2.5 / 2.5
Motor inductance max.	mH	300 / 300	250 / 300	250 / 250
Thermal dissipation, output stage disable	W	15	19	22
Thermal dissipation at rated current	W	220	350	440
Efficiency factor (IE2)	%	92	94	96.5
Motor holding brake current, max.	A	1.6 / 1.6	1.6 / 1.6	1.6 / 1.6

6.5 Fusing

6.5.1 External power supply and 24 V fusing

NOTE

Non renewable cartridge fuses must be used with finger safe fuse holders according to IEC 60529.

UL/cUL cartridge fuses: Class J, 600 VAC 200 kA, time-delay. The fuse must be UL and cUL listed. The voltage rating of the external fuse(s) shall be at least equal to the mains voltage.

CE cartridge fuses: types gS(gRL) or gG, 400 V/500 V, time-delay

Cartridge Fuses	Ampere rating	UL Region	CE Region
MKD-C003007-NAEC: External AC power supply fusing (FN1/2/3)	60 A (Time-Delay)	example Mersen: AJT 60, 60A	example Siba: type gS/gG, D02, 63A
MKD-C001007-CAEC: External AC power supply fusing (FN1/2/3)	20 A (Time-Delay)	example Mersen: AJT 20, 20A	example Siba: type gS/gG, D02, 20A
External 24 VDC supply fusing (FA1)	40 A (Time-Delay)	example Mersen: TR40R, 40A	example Mersen: D02GG40V40/10, 40A

Ampere rating for operation with full application power. Low coincidence factor may allow reduction of fuse ampere rating.

6.5.2 External regen resistor fusing

Cartridge Fuses	Ampere rating	UL region	CE Region
Regen Resistor FB1/FB2	100A	Eaton Bussmann FWP-100A22F	Mersen MEV100A100-4

6.5.3 DC-Bus link fusing

NOTE

Non renewable cartridge fuses must be used with finger safe fuse holders according to IEC 60529.



UL/cUL cartridge fuses: Class J, 600 VAC 200 kA, time-delay. The fuse must be UL and cUL listed.

CE cartridge fuses: types gS(gRL) or gG, 400 V/500 V, time-delay

Cartridge Fuses	Ampere rating	UL Region	CE Region
DC-Bus link fusing (FD1/2)	50 A (Time-Delay)	Eaton Bussmann: FWP-50A14F	Siba 400V to 480V: aR 50A
Supercap fusing (FD1/2)	max. 32 A	Mersen: HP10M25 (25 A) or HP10M30 (30 A) or HP10M32 (32 A)	

6.6 Ambient Conditions in normal operation

Storage, Transport	(→ # 21)
Normal operation	Environmental class 3K3 according to IEC 61800-2
Surrounding air temperature in operation	0 to +40 °C under rated conditions +40 to +55 °C with continuous current derating 4 % per °C
Humidity in operation	Relative humidity 5 to 85%, no condensation, class 3K3
Site altitude	Up to 1000 meters above mean sea level without restriction 1,000 to max. 2,000 meters above mean sea level with power derating 1.5%/100 m
Pollution level	Pollution level 2 as per IEC 60664-1

Vibrations	Class 3M1 according to IEC 60721-3-3
Environmental area	Cabinet IP 54 according to IEC 60529
Mounting position	Vertical
Ventilation	Built-in fan.
 CAUTION	<p>Noise emission! Noise emission up to 90 dBA during operation with maximum load. Keep cabinet doors closed during operation.</p> <p>It is mandatory to use ear protection if cabinet doors must be opened during normal operation.</p>
 NOTICE	The device shuts down in case of excessively high temperature in the control cabinet. Make sure sufficient forced ventilation is supplied within the control cabinet.

6.7 Ground System

There are several ground networks in the device:

MKD-C	X15	DCOM	common line for digital inputs on I/O connector
MKD-C	X13	GND	24 V supply ground
MKD-C	X16	STO-GND	STO 24 V ground
MKD-C	X18	0 V	internal digital ground, service channel
MKD-N	X24	DCOM	common line for digital inputs on I/O connector
MKD-N	X26	STO-GND	STO 24 V ground

6.8 Connectors

Given voltage and current data are the lowest values allowed by UL and CE.

NOTE

- Connector pinout (→ # 65).
- Recommended cable cross sections and wiring details (→ # 36).
- Cable length restrictions (→ # 38).

MKD-C connectors

#	Connector	Type	Max. Cross Section ¹⁾	Current ²⁾	Voltage ³⁾
X10	EtherCAT	RJ45	0,5 mm ² , 21 awg	1 A	<100 V
X11	EtherCAT	RJ45	0,5 mm ² , 21 awg	1 A	<100 V
X12	Power	4 screw terminals	35 mm ² , 2 awg	125 A	1000 V
X13	Aux. voltage	2 screw terminals	10 mm ² , 8 awg	41 A	1000 V
X14	Regen resistor	3 screw terminals	16 mm ² , 6 awg	76 A	1000 V
X15	Control signals	2x6 push lock terminals	1.5 mm ² , 16 awg	12 A	150 V
X16	Global STO signals	2x6 push lock terminals	1.5 mm ² , 16 awg	12 A	150 V
X18	Service Port	RJ45	0,5 mm ² , 21 awg	1 A	<100 V
X20	DC Power String 2/3	3 screw terminals each	10 mm ² , 8 awg	41 A	1000 V
X21	Fieldbus String 2/3	Mini I/O, 8 poles each	0.34 mm ² , 22 awg	0.5 A	30 V
X22	Fieldbus Out String 1	RJ45	0,5 mm ² , 21 awg	1 A	<100 V
X23	DC Bus Bar	3 sliding contacts	-	100 A	600 V
X25	DC Bus Share	3 screw terminals	16 mm ² , 6 awg	76 A	1000 V

MKD-N connectors

#	Connector	Type	Max. Cross Section ¹⁾	Current ²⁾	Voltage ³⁾
X9	Brake Interruption	2 push lock terminals / axis	1.5 mm ² , 16 awg	12 A	150 V
X23	DC Bus Bar	3 sliding contacts	-	100 A	600 V
X24	Digital I/O	8 push lock terminals / axis	1.5 mm ² , 16 awg	12 A	150 V
X26	Local STO	6 push lock terminals / axis	1.5 mm ² , 16 awg	12 A	150 V
X27	Fieldbus In String 1	RJ45	0,5 mm ² , 21 awg	1 A	<100 V
X28	Fieldbus Out String 1	RJ45	0,5 mm ² , 21 awg	1 A	<100 V
X29	Motor Power+Brake, 6A/12A modules	6 screw terminals / axis	10 mm ² , 8 awg	41 A	1000 V
X29	Motor Power, 24A/48A modules	4 screw terminals / axis	16 mm ² , 6 awg	76 A	1000 V
X30	Motor Brake, 24A/48A modules	2 screw terminals	1.5 mm ² , 16 awg	12 A	150 V
X31	Feedback DSL/SFD3	1 SubD 9 (female) / axis	0,5 mm ² , 21 awg	1 A	<100 V
X32	Feedback Conventional types	1 SubD 15 HD (female) / axis	0,5 mm ² , 21 awg	1 A	<100 V
X33	Secondary Feedback	1 SubD 9 (male) / axis	0,5 mm ² , 21 awg	1 A	<100 V

¹⁾single-line connection

²⁾single-line connection with recommended conductor cross section (→ # 36)

³⁾rated voltage with pollution level 2 (lowest values allowed by UL61800-5-1 / IEC60664)

6.9 Recommended Tightening Torques**6.9.1 MKD-C**

#	Connector	Tightening Torque			
		Terminal [Nm]	Terminal [in-lbs]	Plug [Nm]	Plug [in-lbs]
X10, X11	EtherCAT	-	-	-	-
X12	Power	2.5 to 4.5	22.1 to 39.8	3.5 to 4.5	30.9 to 38.9
X13	Aux. voltage	0.7 to 0.8	6.2 to 7.1	0.7 to 0.8	6.2 to 7.1
X14	Regen resistor	1.7 to 1.8	15.0 to 15.9	0.3 to 0.7	2.6 to 6.2
X15A/B	Control signals	-	-	-	-
X16A/B	STO signals	-	-	-	-
X18	Service Port	-	-	-	-
X20A/B	DC Power String 2/3	0.7 to 0.8	6.2 to 7.1	0.3 to 0.7	2.6 to 6.2
X21A/B	Fieldbus String 2/3	-	-	-	-
X22	Fieldbus Out String 1	-	-	-	-
X23	DC Bus Bar	1.5	13.3	-	-
X25	DC Bus Share	1.7 to 1.8	15.0 to 15.9	0.3 to 0.7	2.6 to 6.2
PE Bolt	Protective Earth	1.7	15.0	-	-

6.9.2 MKD-N

#	Connector	Tightening Torque			
		Terminal [Nm]	Terminal [in-lbs]	Plug [Nm]	Plug [in-lbs]
X9A/B	Brake Interruption	-	-	-	-
X23	DC Bus Bar	1.5	13.3	-	-
X24A/B	Digital I/O	-	-	-	-
X26A/B	Local STO	-	-	-	-
X27	Fieldbus In String 1	-	-	-	-
X28	Fieldbus Out String 1	-	-	-	-
X29A/B	Motor Power + Brake, 6A/12A modules	0.7 to 0.8	6.2 to 7.1	0.3 to 0.7	2.6 to 6.2
X29A	Motor Power, 24A/48A modules	1.7 to 1.8	15.0 to 15.9	0.3 to 0.7	2.6 to 6.2
X30A	Motor Brake, 24A/48A modules	0.22 to 0.25	1.9 to 2.2	0.3 to 0.7	2.6 to 6.2
X31A/B	Feedback DSL/SFD3	-	-	0.3 to 0.5	2.6 to 4.4
X32A/B	Feedback, Conventional	-	-	0.3 to 0.5	2.6 to 4.4
X33A/B	Feedback , 2. Feedback	-	-	0.3 to 0.5	2.6 to 4.4
PE Bolt	Protective Earth	1.7	15.0	-	-

6.10 Cable Requirements

The table below describe the recommended interface cross sections and cable requirements in accordance with IEC 60204. For information on the chemical, mechanical, and electrical characteristics of the cables please contact our customer support.

NOTE

Use Kollmorgen hybrid, motor, and feedback cables only. You will lose system warranty, if you use hybrid, motor or feedback cables from a manufacturer other than Kollmorgen.

NOTE

- Connector and mating connector data (→ # 34).
- Connector pinout (→ # 65).
- Cable length restrictions (→ # 38).

6.10.1 MKD-C

Hybrid cable from	Hybrid cable to	Cross section	Cable type*
MKD-C X20A/X21A, String 2	AKD-N X1, hybrid	3 x 2.5 mm ² + 4 x 0.25 mm ²	MKC-HYB-z-AKN
MKD-C X20B/X21B, String 3	AKD-N X1, hybrid	3 x 2.5 mm ² + 4 x 0.25 mm ²	MKC-HYB-z-AKN

* Followed by length coding. Contact your Kollmorgen sales representative.

#	Interface	Cross Section	Cable Requirements
X12	AC connection	NA types: 35 mm ² (2 awg) CA types: 10 mm ² (8 awg)	600 V, minimum 75°C, shielded
X13	+24 V / GND	10 mm ² (8 awg)	single line
X14	Regen resistor	10 mm ² (8 awg)	1000 V, minimum 75°C, shielded
X15	Digital I/Os	0.5 mm ² (21 awg)	single line, e.g. H07VK
X16	STO Signals	0.5 mm ² (21 awg)	single line, e.g. H07VK
X25	DC Bus sharing	6 mm ² (10 awg)	1000 V, minimum 75°C, shielded

#	Interface	Cross Section	Type
X10, X11	EtherCAT	0,5 mm ² (21 awg)	RJ45 Cat 6 Ethernet cable
X18	Service Port	0,5 mm ² (21 awg)	RJ45 Cat 6 Ethernet cable
X22	Fieldbus String 1	0,5 mm ² (21 awg)	RJ45 Cat 6 Ethernet cable

6.10.2 MKD-N

#	Interface	Cross section	Cable Requirements
X24	PLC Digital I/O	0.5 mm ² (21 awg)	single line, e.g. H07VK
X29/X31 6A/12A module	Motor Power+ Motor Brake+ DSL / SFD3	4 x 1.5 mm ² + 2 x 0.75 mm ² + 2 x 0.34 mm ²	Kollmorgen hybrid motor cable, twisted pairs, shielded
X29/X30/X31 24A/48A module	Motor Power+ Motor Brake+ DSL / SFD3	4 x 10 to 16 mm ² + 2 x 1.5 mm ² + 2 x 0.34 mm ²	Kollmorgen hybrid motor cable, twisted pairs, shielded
X29	Motor Power	4 x 1.5 mm ² (16 awg) to 4 x 16 mm ² (6 awg)	600 V, minimum 75°C, shielded, capacitance < 2.25 nF (phase/phase) < 3.75 nF (phase/shield)
X29 6A/12A module	Motor Power+ Brake	4 x 1.5 mm ² (16 awg) + 2 x 0.75 mm ² (19 awg)	600 V, minimum 75°C, shielded, capacitance < 2.25 nF (phase/phase) < 3.75 nF (phase/shield)
X29/X30 24A/48A module	Motor Power+ Brake	4 x 10 mm ² (16 awg) to 4 x 16 mm ² (6 awg) + 2 x 1.5 mm ² (16 awg)	600 V, minimum 75°C, shielded, capacitance < 2.25 nF (phase/phase) < 3.75 nF (phase/shield)
X32	Motor Feedback SFD	1x2x0.25 mm ² (24 awg) 1x2x0.50 mm ² (21 awg)	twisted pairs, shielded
X32	Motor Feedback Encoder+Hall, EnDat2.1, BiSS B	7x2x0.25 mm ² (24 awg)	twisted pairs, shielded
X32	Motor Feedback EnDat2.2, BiSS C	5x2x0.25 mm ² (24 awg)	twisted pairs, shielded
X33	Secondary Feedback, Encoder	5x2x0.25 mm ² (24 awg)	twisted pairs, shielded

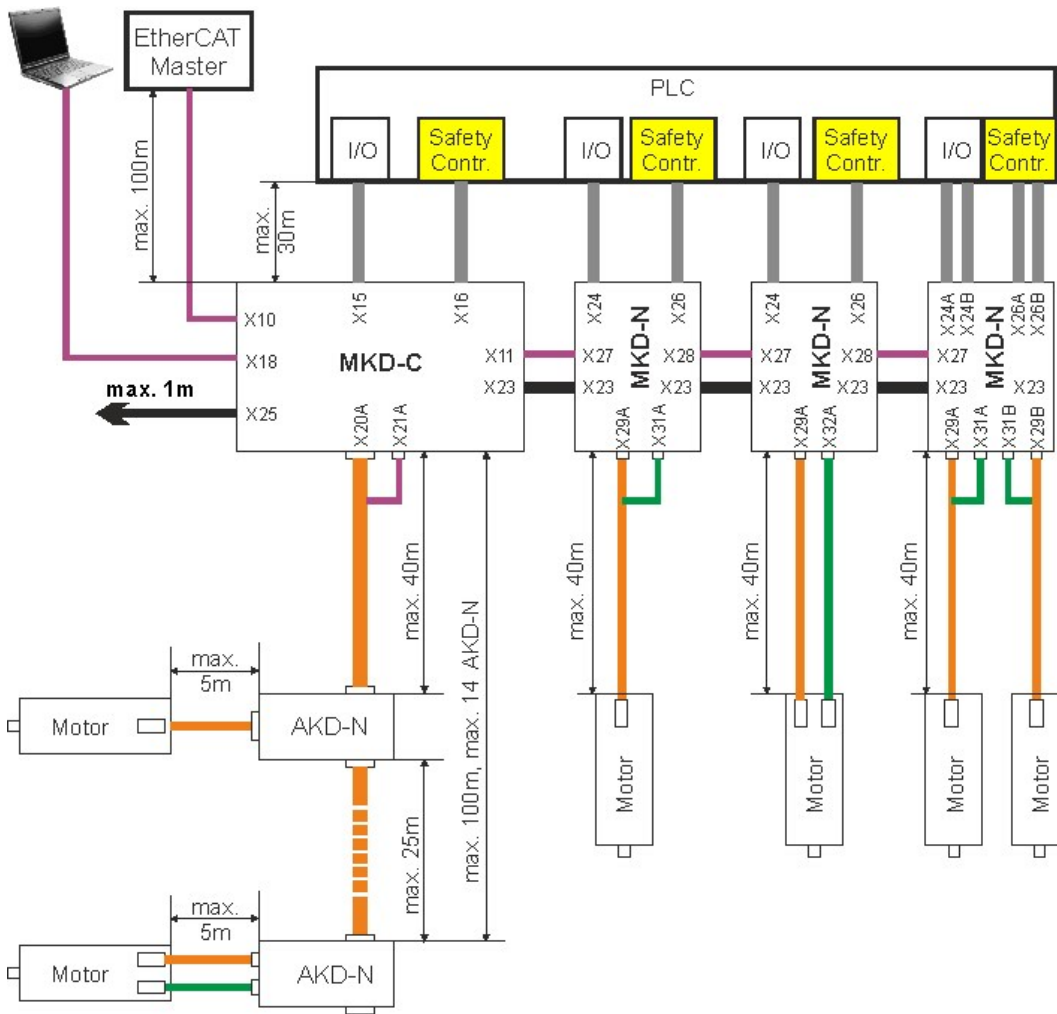
6.11 Cable Length Definition

NOTE

MKD-C offers two separate strings to connect up to 14 AKD-N to each of them. Maximum total cable length for each string is 100 m. For system topology information refer to (→ # 55)

Cable Type	Cable usage	Max. Length (m)
MKC-HYB-z-AKN	MKD-C X20/21 to AKD-N X1, hybrid	40
AKN-HYB-z-AKN	AKD-N X2 to AKD-N X1, hybrid	25
EtherCAT Module Cable (Cat. 6)	MKD-C X11 to MKD-N X27 MKD-N X28 to MKD-N X27	3
Communication Adapter String 2	MKD-C X21A to MKD-N X27	3
EtherCAT Master Cable	MKD-C X10 to EtherCAT Master	3
Ethernet Cable	MKD-C X18 to Personal Computer or Switch	3
MKN-...-z-...	MKD-N X29 to motor power	40
AK7-...-z-...	MKD-N X32 to motor feedback	40
CMxNA...	AKD-N X4 to motor power	5
CFxNA...	AKD-N X5 to motor feedback	5
single wire	X13, X15, X16, X24, X26	30

If total motor cable capacitance exceeds 2.25 nF (phase / phase) or 3.75 nF (phase / shield), then a motor choke must be used with cables longer than 25 m.



6.12 Dynamic Braking

Dynamic braking is a method to slow down a servo system by dissipating the mechanical energy driven by the motor back EMF. The MKD-N drives have a built in advanced dynamic braking mode which operates fully in hardware. When activated, the drive shorts the motor terminals in phase with the back EMF (q axis) but continues to operate the non-force producing current loop (d-axis) with 0 current. This forces all of the dynamic braking current to be stopping current and insures the fastest stopping/amp of motor terminal current.

- When current is not being limited, the mechanical energy is being dissipated in the motor resistance.
- When current is being limited, energy is returned to the MKD-C bus capacitors.
- The drive also limits the maximum dynamic braking motor terminal current via the *DRV.DBILIMIT* parameter to insure that the drive, motor, and customer load do not see excessive currents/forces.

Whether and how the MKD uses dynamic braking depends on (*DRV.DISMODE*).

6.13 Regen circuit

When the amount of returned energy from the MKD-N builds the bus capacitor voltage up enough, the MKD-C activates the regen chopper to start dumping the returned energy in the regen resistor (also called regenerative or brake resistor). An external regen resistor can be connected to MKD-C X14.

Available external regen resistors are described in the Appendix (→ # 134).

6.13.1 Functional description

When the amount of returned energy builds the bus capacitor voltage up enough, the MKD-C activates the regen chopper to start dumping the returned energy in the regen resistor at the MKD-C (connected to terminal X14). 90% of the combined power of all the coupled drives is always available for peak and continuous power.

The drive that has the lowest switch-off threshold (resulting from tolerances) reports an over-voltage fault if the DC bus threshold is exceeded. The drive power stage is disabled and the load coasts to a stop with the fault message "F501 Bus Over voltage" (→ # 127). The MKD-C fault relay contact (terminals X15A/1-2) is opened due to this fault.

6.13.2 Technical data

NOTE

Observe the regeneration time (some minutes) after full load with peak regen power.

Rated data	Units	400 V	480 V
Switch-on threshold of regen circuit (nominal)	V	760	760
Overvoltage limit	V	840	840
Maximum regen duty cycle	%	15*	15*
External regen resistor	Ohm	10	10
Maximum continuous regen power	kW	6	6
Regen chopper current	A	120	120
Peak regen power, external (1s)	kW	99	99
Absorption energy in capacitors (+/- 20%)	Ws	56	19
DC Bus Capacitance (nominal)	µF	1500	1500

* depends on connected regen resistor power

6.14 LED signals

The EtherCAT Status and Link/Activity LEDs functionality is specified according to the "EtherCAT Indicator Labeling Specification" defined by the EtherCAT Technology Group.

EtherCAT RUN Status (green)

LED states	Slave State
Off	INITIALISATION
Blinking	PREOPERATIONAL
Single Flash	SAFEOPERATIONAL
On	OPERATIONAL
Flickering	INITIALISATION or BOOTSTRAP

EtherCAT ERROR Status (red)

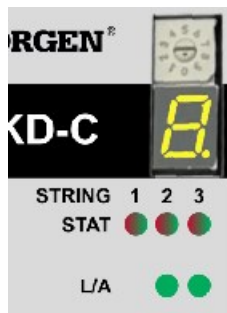
ERR State	Error Name
On	Application controller failure
n Flashes	Reserved
Triple Flash	Reserved
Double Flash	Process Data Watchdog Timeout / EtherCAT Watchdog Timeout
Single Flash	Local Error
Blinking	Invalid Configuration
Flickering	Bootling Error
Off	No error

EtherCAT Link/Activity

Link	Activity	Condition	Link/Activity Code
Yes	No	Port open	On
Yes	Yes	Port open	Flickering
No	Not applicable	Port closed	Off
Yes	Yes/No	Port closed (mode needs manual open)	Inverted double flash
No	No	Local PHY auto negotiation error	Single Flash
No	No	Remote PHY auto negotiation	Double Flash
No	No	Unknown PHY auto negotiation	Triple Flash

For more information refer to the WorkBench online help.

6.14.1 MKD-C



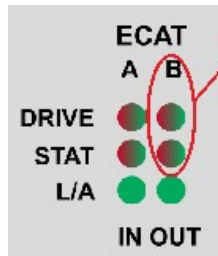
Rotary Switch
7 Segment Display
Run/Error LEDs
Link/Activity

The **LED 7-segment** display indicates the status of the drive after the 24 V supply is switched on. MKD fault codes or warning codes are displayed constantly if present. Fault messages are coded with "F" or "E", warnings are coded with "n". The IP address can be flashed across the 7-segment display by pressing B1 (→ # 42). The IP address can be configured with rotary switch S1 (→ # 42).

EtherCAT STAT LEDs: There is one LED per string. As the LED is a bi-colored LED, it is used to display both the RUN (Green) and Error (RED) status.

EtherCAT L/A LEDs: These are the EtherCAT Link/Activity LEDs associated with the Motion Bus IN (X10) and OUT (X11) ports. Activity description see table above.

6.14.2 MKD-N



Dual-Axes drives only
Run/Error
Run/Error
Link/Activity

DRIVE LEDs: There is one LED per Axis. The LED delivers information with three colors (red, green, orange) and blink frequency (see WorkBench Help).

Color	Remarks
Green	Enabled and running
blink green/orange	Enabled and running with warning
blink orange	Safe bus voltage
blink red/orange/green	Fault

Local Fieldbus STAT LEDs: There is one LED per Axis. As the LED is a bi-colored LED, it is used to display both the RUN (Green) and Error (RED) status.

Local Fieldbus L/A LEDs: These are the Link/Activity LEDs associated with the Local Fieldbus Bus IN (X27) and OUT (X28) ports. Activity description see (→ # 40).

6.14.3 RJ45 LED signals

MKD-C, X18 (Service)

	LED#	Name	Function
	LED1	Link	ON = active, OFF= not active
	LED2	Activity	ON = running, OFF = not running

MKD-C, X10, X11 (Motion Bus)

	LED#	Name	Function	
In X10	LED 3	LED3	Link	ON = active, OFF= not active
	LED 4	LED4	-	-
Out X11	LED 5	LED5	Link	ON = active, OFF = not active
	LED 6	LED6	-	-

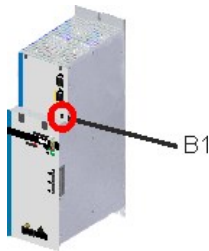
MKD-C, X22 (local fieldbus out)

	LED#	Name	Function	
X22	LED 7	LED7	Link	ON = active, OFF= not active
	LED 8	LED8	-	-

MKD-N, X27, X28 (local fieldbus in/out)

	LED#	Name	Function
LED 9 X27 X28 LED 11 LED 10 LED 12	LED9	Link	ON = active, OFF= not active
	LED10	Activity	ON = running, OFF = not running
	LED11	Link	ON = active, OFF = not active
	LED12	-	-

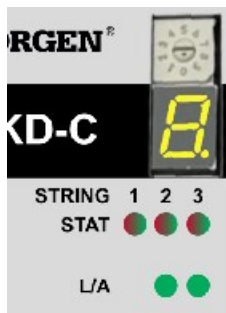
6.15 Push-button (B1)



The push-button on the MKD-C can be used to start predefined functions.

Press short to display the IP address in the LED display

6.16 Rotary Switch (S1), Setting IP address



Rotary Switch The configured IP address (depending on the current rotary switch S1 position) will be displayed on the 7 segment at Ethernet cable connection time and at power-on, if an Ethernet cable is connected.

7 Segm Display The IP address can be flashed across the LED seven-segment display by pressing B1 (→ # 42).

Run/Error LEDs If no Ethernet cable is connected, no IP address will be indicated in the display.

Link/Activ LEDs

By default, the MKD-C utilizes the rotary switch to acquire its IP address. A method of setting the IP address independent of the rotary switch is available. More information is available in the MKD-C User Guide or in the Settings Screen-> Fieldbus-> TCP/IP screen in WorkBench.

NOTE

Kollmorgen recommends to use **AutoIP addressing**.
Set S1 to 0 (zero) for DHCP/AutoIP address.

Dynamic IP addressing (DHCP and Auto-IP)

S1 Setting	MKD-C DHCP/AutoIP address
0	The IP address of the MKD-C is obtained from the DHCP server on your network. If no DHCP server is found the IP addresses is an AutoIP address (it is internally generated following the AutoIP protocol and will look like 169.254.x.x).

With S1 set to 0, the device is in DHCP mode. The MKD-C will acquire its IP address from an external DHCP server if present in the network. If a DHCP server is not present, the MKD-C will assume an Automatic Private IP Address. If your PC or PAC is directly connected to the MKD-C, and set to obtain an IP address automatically in the TCP/IP settings, a connection will be established with both devices using compatible automatic generated addresses. It can take up to 60 seconds for a PC to configure an Automatic Private IP Address.

Example for an AutoIP system see (→ # 122).

NOTE

The PC subnet mask must be set to 255.255.255.0 or 255.255.255.128

Static IP addressing

S1 Setting	MKD-C Static IP Address.
1 to 9	The IP address is 192.168.0.n, where n is the number set with the rotary switch. This setting generates addresses in a range from 192.168.0.1 to 192.168.0.9.

For static IP addressing set rotary switch S1 to a number from 1 to 9.

Example: if S1 is set to 5, then the IP address is 192.168.0.5

NOTE

If MKD-C has a static IP address, in WorkBench devices with static IP address are visible, only.

Changing the IP address

If the switch is altered while 24 V Logic power is supplied to the MKD-C, you must switch off and then switch on again the 24 V supply voltage. This action will reset the address.

7 Mechanical Installation

7.1 Important Notes	45
7.2 Guide to Mechanical Installation	45
7.3 Dimension Drawing	46
7.4 Mounting Example	46

7.1 Important Notes

NOTICE

MKD-C and MKD-N devices must be mounted in cabinets only with protection class IP 54 according to IEC 60529.



CAUTION High EMC Voltage Level!

Risk of electrical shock, if the servo amplifier (or the motor) is not properly EMC-grounded.

- Use electrically conductive mounting plates, e. g. made of aluminum or galvanized steel.
- In unfavourable circumstances, use copper mesh tape between the earthing bolts and earth potential to deflect currents.

NOTICE

Protect the device from impermissible stresses. In particular, do not let any components become bent or any insulation distances altered during transport and handling. Avoid contact with electronic components and contacts.

NOTICE

The device will switch itself off in case of overheating. Ensure that the mounting space matches the requirements (→ # 33).

NOTICE

Do not mount devices that produce magnetic fields directly beside the device. Strong magnetic fields can directly affect internal components. Install devices which produce magnetic field with distance to the MKD-C and/or shield the magnetic fields.

7.2 Guide to Mechanical Installation

The following tools are required (at a minimum) to install the MKD-C and MKD-N modules; your specific installation may require additional tools.

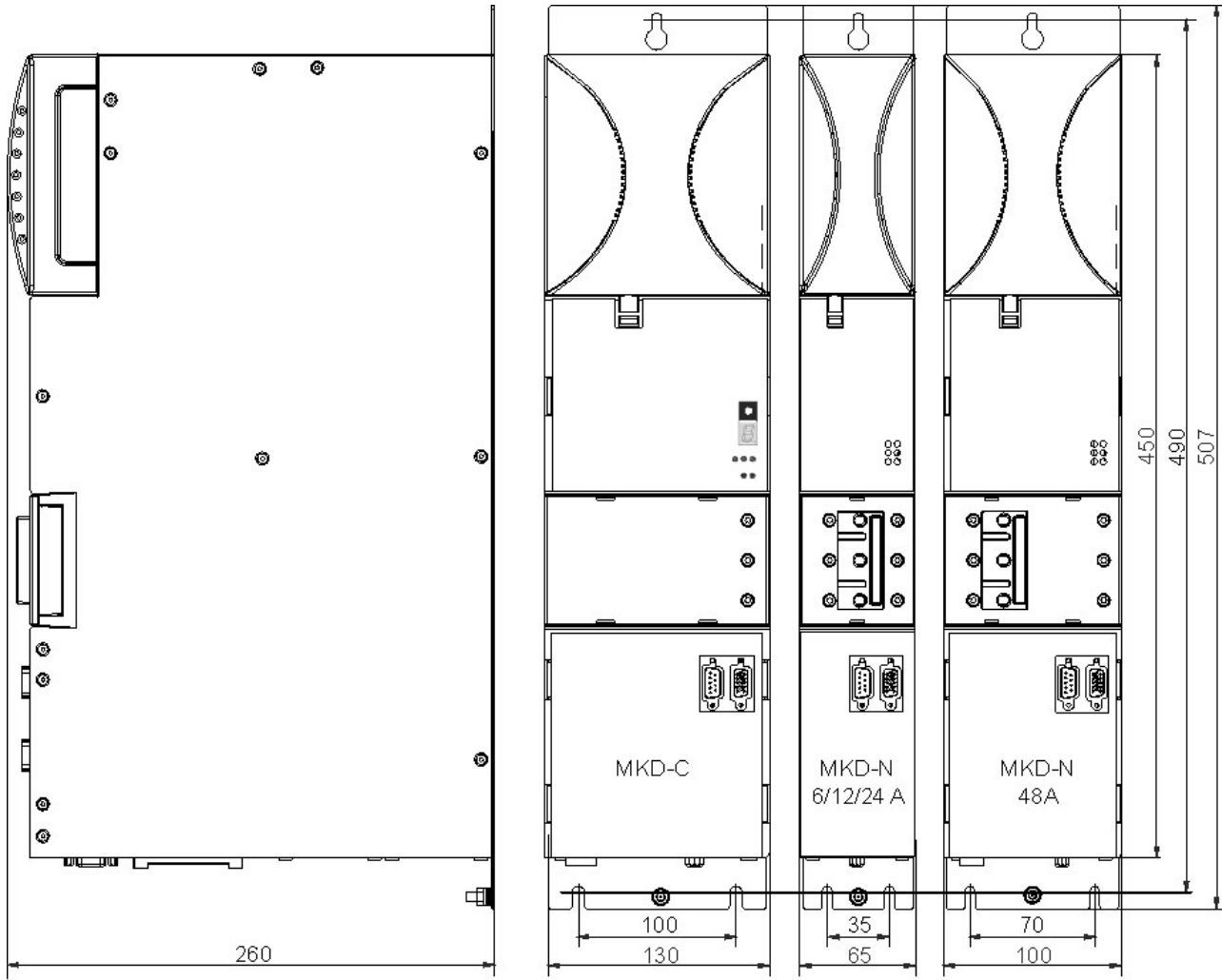
- M4 hexagon socket-cap screws (ISO 4762)
- 3 mm T-handle Allen key
- No. 2 Phillips head screwdriver
- Small slotted screwdriver

For mechanical installation of AKD-N to the machine, refer to the *AKD-N Installation Manual*.

Install the modules as follows:

1. Prepare the site.
The MKD modules must be mounted in a closed control cabinet (→ # 33). The site must be free from conductive or corrosive materials. For the mounting position in the cabinet (→ # 46).
2. Check ventilation.
Check that the ventilation of the modules is unimpeded, and keep within the permitted ambient temperature (→ # 33). Keep the required space clearance above and below the modules (→ # 46).
3. Check cooling system.
If cooling systems are used for the control cabinet, position the cooling system so that condensation water cannot drip onto the modules or peripheral devices.
4. Mount the modules.
Assemble the power supply module and the drive modules on the conductive, grounded mounting plate in the cabinet.
5. Ground the modules.
For EMC-compliant shielding and grounding, (→ # 55). Ground the mounting plate, the motor housing, the GND of the 24 V supply and CNC-GND of the control system.

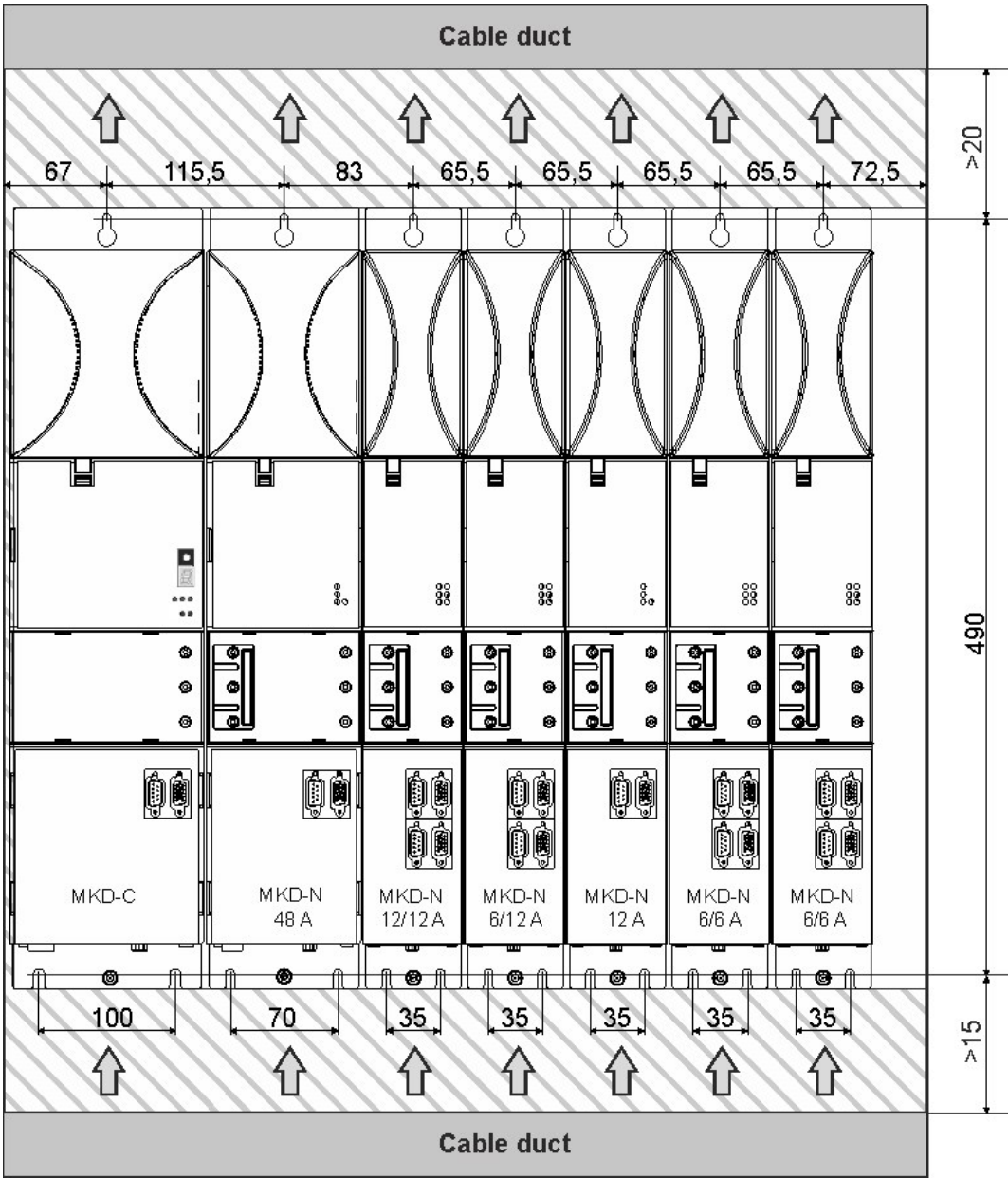
7.3 Dimension Drawing



7.4 Mounting Example

Mounting material: M5 hexagon socket screws to ISO 4762, 4 mm T-handle Allen key.

Cabinet example: Width 600 mm, String 1 with 6 drive modules (10 axes)



Dimensions in mm

Keep hatched space free!

8 Electrical Installation

8.1	Important Notes	49
8.2	Guide to Electrical Installation	49
8.3	Wiring	52
8.4	EMI Noise Reduction	53
8.5	System topology of an MKD drive system	55
8.6	Connection Overview	59
8.7	Electrical Supply Connection	74
8.8	Drive String Connection	77
8.9	DC Bus link (X20, X23, X25)	81
8.10	External Regen resistor (X14)	84
8.11	Motor Connection	85
8.12	Secondary Feedback Connection (X33)	91
8.13	I/O Connection	92
8.14	Motion Bus Interface (X10/X11)	100
8.15	Service Interface (X18)	101

8.1 Important Notes

NOTICE

Only professional staff who are qualified in electrical engineering are allowed to install the drive system. Wires with color green with one or more yellow stripes must not be used other than for protective earth (PE) wiring.



⚠ DANGER High Voltage up to 900 V!

There is a danger of serious personal injury or death by electrical shock or electrical arcing. Capacitors can still have dangerous voltages present up to 5 minutes after switching off the supply power. Control and power connections can still be live, even if the motor is not rotating.

- Only install and wire the equipment when it is not live.
- Make sure that the cabinet is safely disconnected (for instance, with a lock-out and warning signs).
- Never remove electrical connections to the drive while it is live.
- Wait at least 5 minutes after disconnecting the drive from the main supply power before touching potentially live sections of the equipment (e.g. contacts) or undoing any connections.
- To be sure, measure the voltage in the DC bus link and wait until it has fallen below 50 V.
- Ensure the MKD-N DC-Bus link cover is installed on the last MKD-N before switching on mains power.

NOTICE

Since the leakage current to PE is more than 3.5 mA, in compliance with IEC61800-5-1 the PE connection must either be doubled or a connecting cable with a cross-section $>10 \text{ mm}^2$ must be used. Deviating measures according to regional standards might be possible.

NOTICE

Wrong DC Bus link voltage, unsuitable motor or wrong wiring will damage the system components. Check the combination of drive and motor. Compare the rated voltage and current of the units. Implement the wiring according to the connection diagrams: (→ # 59).

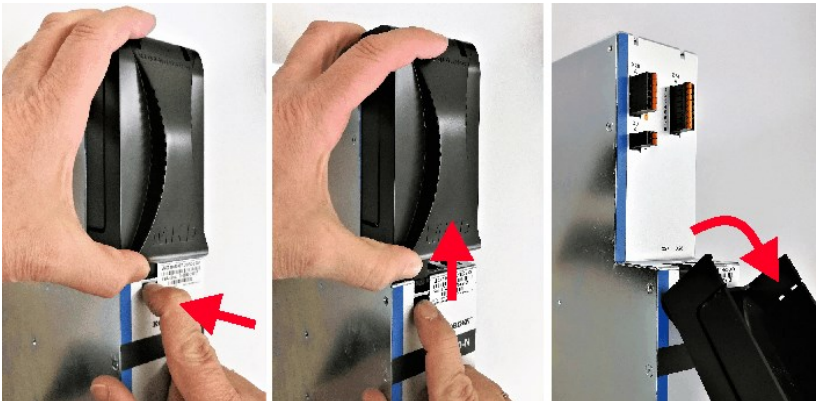
NOTE

It is permissible to use WorkBench to change the settings of the device. Any other alteration will invalidate the warranty.

8.2 Guide to Electrical Installation

8.2.1 MKD-C

Remove the front protection cover:

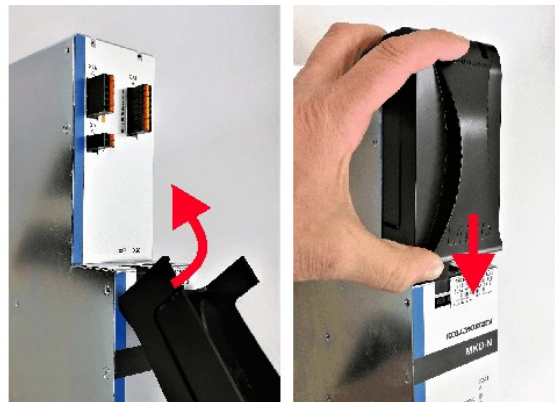


Install the power supply module as follows:

1. Select cables according to IEC 60204 (→ # 36) and the system topology (→ # 55).
 2. Install shielding and ground the modules (→ # 55).
Ground the mounting plate, the 24V supply GND and CNC-GND of the control system.
 3. Install digital I/O lines
 4. Install Safety I/O lines
 5. Wire the device.
 - a. Wire the FAULT contact in series into the emergency off circuit of the system.
 - b. If required, connect the external regen resistor (with fusing).
 - c. Connect the MKD-N drives. Close and secure all DC Bus sliders (X23).
 - d. Connect the required AKD-N drives to string 2 or string 3. For local AKD-N connections refer to the *AKD-N Installation Manual*.
 - e. Connect the digital inputs and the digital outputs, if required.
 - f. Connect the global STO inputs for the used strings (→ # 108).
 - g. Connect the local STO inputs of the used drive axes (→ # 112).
 - h. Connect the 24V power supply (required voltage value see electrical data (→ # 31)).
 - i. Connect the 24V STO power supply (PELV, required voltage values see (→ # 107)).
 - j. Connect the mains choke. Use shielded cable between choke and MKD-C.
 - k. Connect the mains supply. Check maximum permitted voltage value (→ # 31).
Check proper use of residual-current circuit breakers (RCD, (→ # 15))
 - l. Connect the PC (→ # 101) for setting up the drive system.
 6. Check the wiring and observe the system topology limits (→ # 55).
- Reinstall the front protection cover:



For cable entry break out on one or both sides



8.2.2 MKD-N (string 1)

Install the drive module as follows:

1. Select cables (→ # 36) in accordance with the planned system topology (→ # 55).
2. Install grounding (PE) and ground the drive module (→ # 55). Ground the mounting plates and the motor housings.
3. Install digital I/O lines
4. Install Safety I/O lines
5. Wire the drive:
 - a. String 1 Power: close the sliding terminal (X23) to the adjacent module. Verify the position is monitored as "closed". Fasten the terminal screws.
 - b. Cover the DC Bus contacts of the last MKD-N with the DC-Bus link cover.
 - c. String 1 fieldbus: Connect the fieldbus ports of the modules (X22, X27, X28, (→ # 77))
 - d. Dual cable motor connection:
 - 6 A and 12 A axes: Connect the motor power & brake to X29, max. length 40 m.
 - 24 A and 48 A axes: Connect the motor power to X29, max. length 40 m.
 - 24 A and 48 A axes: Connect the motor brake to X30, max. length 40 m.
 - Connect the feedback to X32 , max. length 40 m.
 - e. Single cable motor connection:
 - 6 A and 12 A axes: Connect the hybrid motor power&brake to X29, max. length 40 m.
 - 24 A and 48 A axes: Connect the motor power to X29, max. length 40 m.
 - 24 A and 48 A axes: Connect the motor brake to X30, max. length 40 m.
 - Connect the hybrid motor cable feedback to X31, max. length 40 m.
6. Check the wiring against the planned system topology (→ # 55) and the wiring diagrams (→ # 63).
7. Ensure the MKD-N DC-Bus link cover is installed on the last MKD-N before switching on mains power.

8.2.3 AKD-N (strings 2 or 3)

Install the drive as follows:

1. Select cables (→ # 36) in accordance with the planned system topology (→ # 55) and with *AKD-N Installation Manual*.
2. Install grounding (PE) and ground the drive, see *AKD-N Installation Manual*. Ground the mounting plates and the motor housings.
3. Wire the drive:
 - a. String 2: Connect the hybrid power cable between MKD-C X20A/X21A and first AKD-N X1, max. length 40 m.
 - b. String 3: Connect the hybrid power cable between MKD-C X20B/X21B and first AKD-N X1, max. length 40 m.
 - c. Connect the hybrid power cables between the AKD-N drives X1/X2.
 - d. Dual cable motor connection:
 - Connect the motor cable to X4, max. length 5 m.
 - Connect the feedback device to X5, max. length 5 m.
 - e. Single cable motor connection:
 - Connect the hybrid motor cable to X4, max. length 5 m.
4. Check the wiring against the planned system topology (→ # 55) and the wiring diagrams in the *AKD-N Installation manual*.

8.3 Wiring



DANGER

High Voltage up to 900 V!

There is a danger of serious personal injury or death by electrical shock or electrical arcing.

- Only install and wire the equipment when it is not live, that is, when neither the electrical supply nor the 24 V auxiliary voltage nor the supply voltages of any other connected equipment is switched on.
- Make sure that the cabinet is safely disconnected (for instance, with a lock-out and warning signs). The individual voltages are switched on for the first time during setup.

NOTICE

Only professional staff who are qualified in electrical engineering are allowed to install the decentral drive system. Wires with color green with one or more yellow stripes must not be used other than for protective earth (PE) wiring. When installing or replacing cables, use only standardized components, which complies to the specifications in chapter 6.10 "Cable Requirements".

NOTE

The ground symbol, which you will find in the wiring diagrams, indicates that you must take care to provide an electrically conductive connection with the largest feasible surface area between the unit indicated and the mounting plate in the control cabinet. This connection is for the effective grounding of HF interference, and must not be confused with the PE-symbol (PE = protective earth, safety measure as per IEC 60204).

Connection Overview:

System Topology limits & examples	(→ # 55)
Connector Position	(→ # 59)
Connection diagram MKD-C	(→ # 63)
Connection diagram MKD-N (6A, 12A)	(→ # 64)
Connection diagram MKD-N (24A, 48A)	(→ # 65)
Connector pin assignments	(→ # 65)

Interface description:

Mains supply	(→ # 75)
24 VDC supply	(→ # 76)
Drive string connection	(→ # 77)
DC bus link	(→ # 81)
Regen resistor	(→ # 84)
Motor, Brake, Primary Feedback	(→ # 85)
Secondary Feedback	(→ # 91)
I/O connection	(→ # 92)
Motion Bus	(→ # 100)
Service interface	(→ # 101)

8.4 EMI Noise Reduction



CAUTION Electromagnetic Fields!

Electromagnetic radiation may, by acting on electrically conductive materials, lead to potential hazardous danger (warming, loss of implants).

- Work on the electrical installation may only be performed by trained and qualified personnel, in compliance with the regulations for safety at work, and only with switched off mains supply, and secured against restart.
- Grounding, equipotential bonding and radiation-reducing shields may not be removed.

8.4.1 Recommendations for EMI noise reduction

The following guidelines will help you to reduce problems with electrical noise in your application.

- **Ensure cabinet is a closed cage during operation.** Use shielded protections for doors and openings in the cabinet.
- **Ensure good connections between the cabinet components.** Connect the back panel and cabinet door to the cabinet body using several conductive braids. Never rely on hinges or mounting bolts for ground connections. Ensure all DC Bus sliders are closed and secured.
- **Ensure good ground connection.** Connect from cabinet to proper earth ground. Ground leads should be the same gauge as the leads to main power or one gauge smaller.
- **Use Kollmorgen cables.** Route unshielded power and control cables separately, Kollmorgen recommends a distance of at least 200 mm to improve interference immunity.
- **Ground the shielding at both ends.** Ground all shielding with large areas (low impedance), with metalized connector housings or shield connection clamps wherever possible. For cables entering a cabinet, connect shields on all 360° of the cable. Never connect a simple “pigtail.” For more information on shielding concepts, (→ # 53).
- **Feedback lines may not be extended, since the shielding would be interrupted and the signal processing may be disturbed.** Install all feedback cables with an adequate cross-section, per IEC 60204 (→ # 36) and use the requested cable material to reach maximum cable length.
- **Splice cables properly.** If you need to divide cables, use connectors with metal shells. Ensure that both shells connect along the full 360° of the shields.
- **Cables between modules and external regen resistors must be shielded.** Install all power cables with an adequate cross-section, per IEC 60204 (→ # 36) and use the requested cable material to reach maximum cable length.

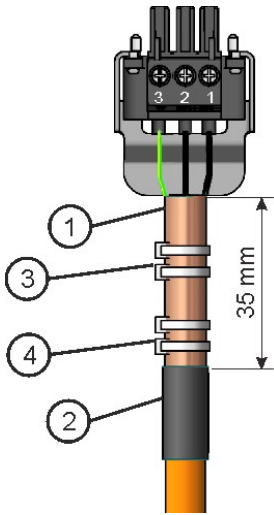
8.4.2 Shielding connection to the system modules

8.4.2.1 Ethernet connectors X10, X11, X18, X22, X27, X28

The shield of Ethernet cables is connected via the RJ45 connectors to the housing.

8.4.2.2 Power connectors with shield plate X12, X14, X20A, X20B, X25, X29A, X29B

Example: Connection for the DC power by mating connector with strain relief.



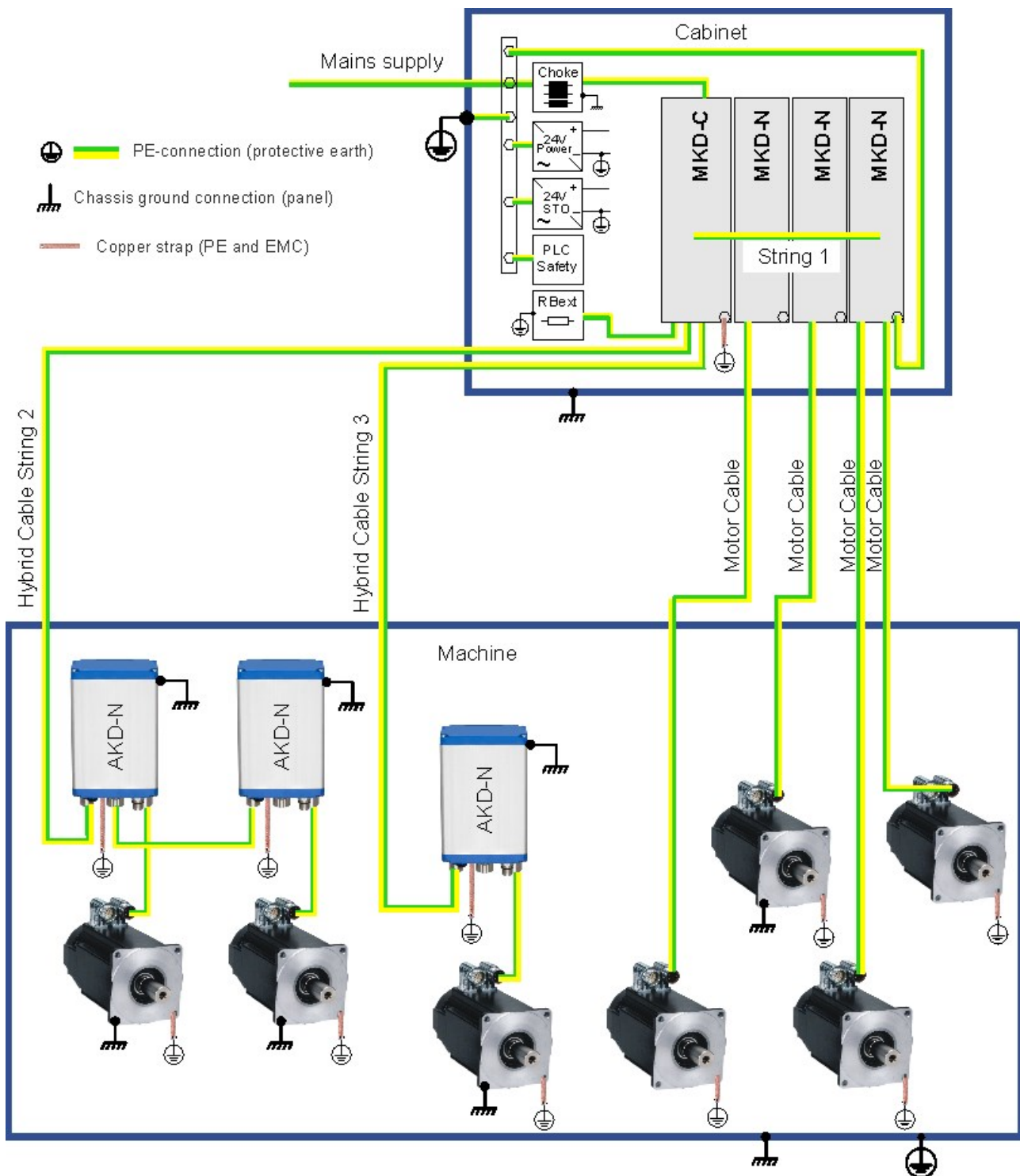
1. Strip the external cable sheath to a length of approx. 100mm, taking care not to damage the braided shield.
2. Push the braided shield (1) back over the cable and secure with a rubber sleeve (2) or shrink sleeve.
3. Shorten all the wires apart from the protective earth (PE) wire (green/yellow) by about 20mm so that the PE wire is now the longest wire.
4. Strip all wires and fit wire end ferrules.
5. Secure the braided shield of the cable to the shroud with a cable tie (3) and use a second tie (4) to fasten the cable.
6. Wire the connector as shown in the connection diagram.
7. Plug in the connector to the socket on the front of the MKD-C.
8. Screw the connector in place. This ensures that there is conductive contact over a large surface area between the braided shield and the front panel.

The DC power is now connected.

8.4.2.3 Local fieldbus connectors X21A, X21B

The shield of local fieldbus cables is connected via the connector to the housing.

8.4.2.4 Example for system earthing



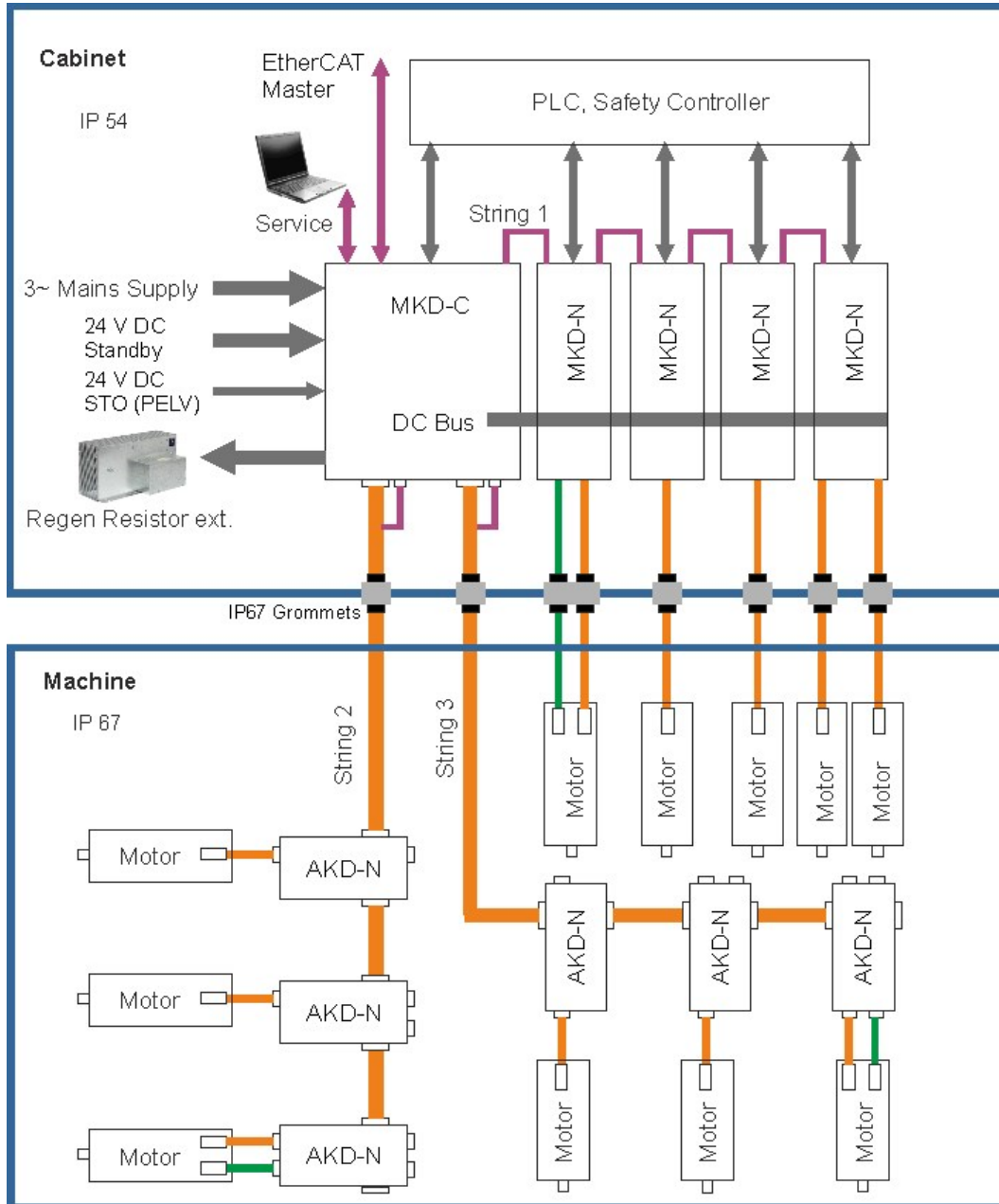
8.5 System topology of an MKD drive system

8.5.1 System limits

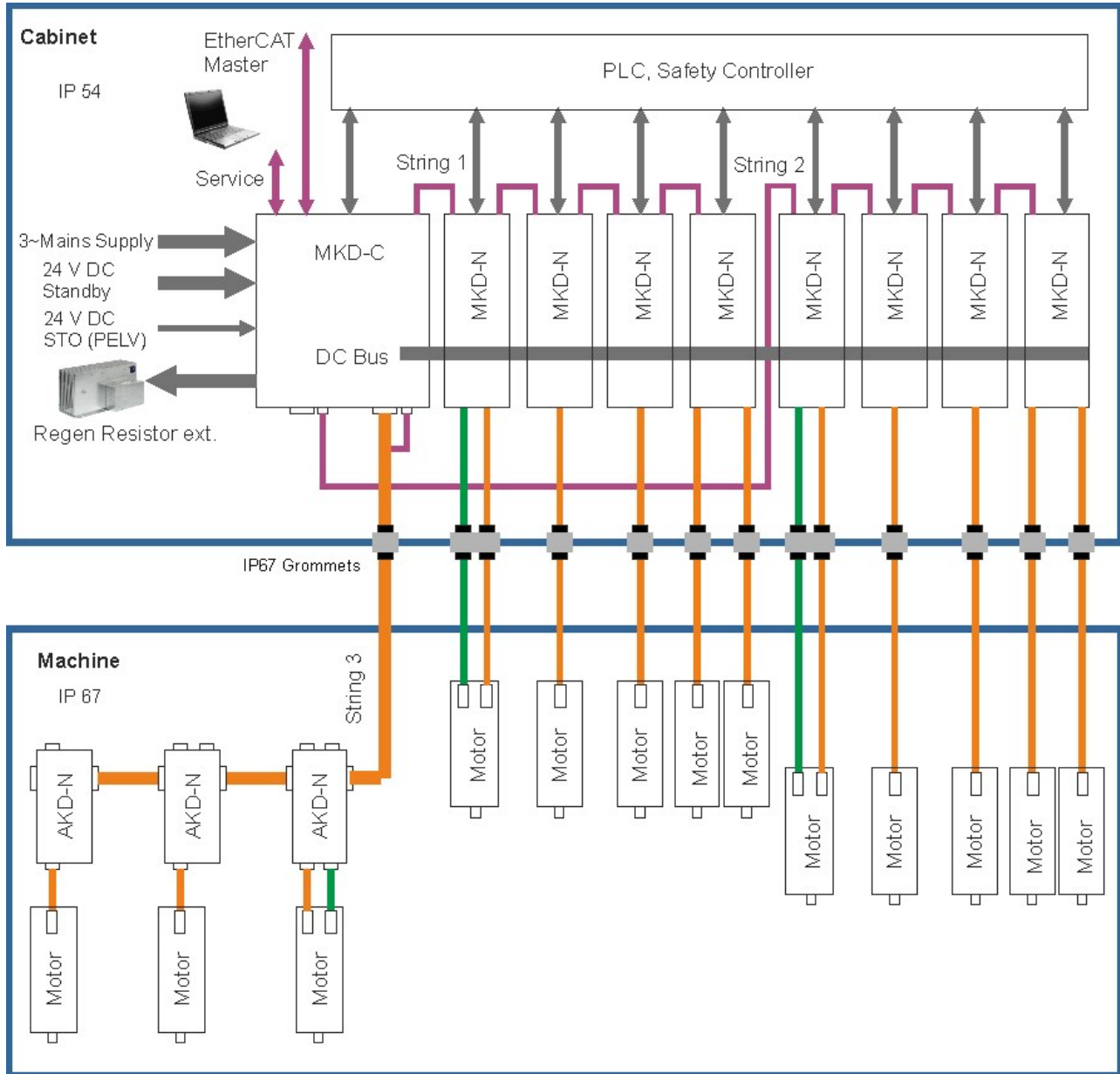
Length String 2/3	Maximum 100 m total cable length per string.
Number of MKD-C	Limited by fieldbus protocol.

Number of MKD-N axes	Maximum 14 axes for string 1, total maximum 28 axes if string 1 and 2 are combined (observe total power and current restrictions).
Number of AKD-N	Maximum 14 per string, total maximum 28 on strings 2 and 3, (observe total power and current restrictions).
Global STO (String 2/3): Number of AKD-N	<ul style="list-style-type: none"> •AKD-N Hardware Rev. A or B: 8 AKD-N •AKD-N Hardware Rev. A or B with signal buffer: 14 AKD-N •AKD-N Hardware Rev. C: 14 AKD-N
Output current	Use coincidence factor of the axes for distribution and system power optimization. String 1: 43 A, String 2: 16 A, String 3: 16 A
Total power	At 565 V to 680 V limited to 30 kW.
String 2/3 power	At 565 V to 680 V limited to 10 kW for each string.
String standby power	At 55 V limited to 180 W for each string.
Motor Brake power	You can control up to 3 motor brakes per string. Available power for brakes is 76 W per string (= 3.2 A @ 24 VDC).
Service Interface X18	Ethernet TCP/IP, 100 Mbit/s, max. cable distance 100 m

8.5.2 Topology example with two external strings

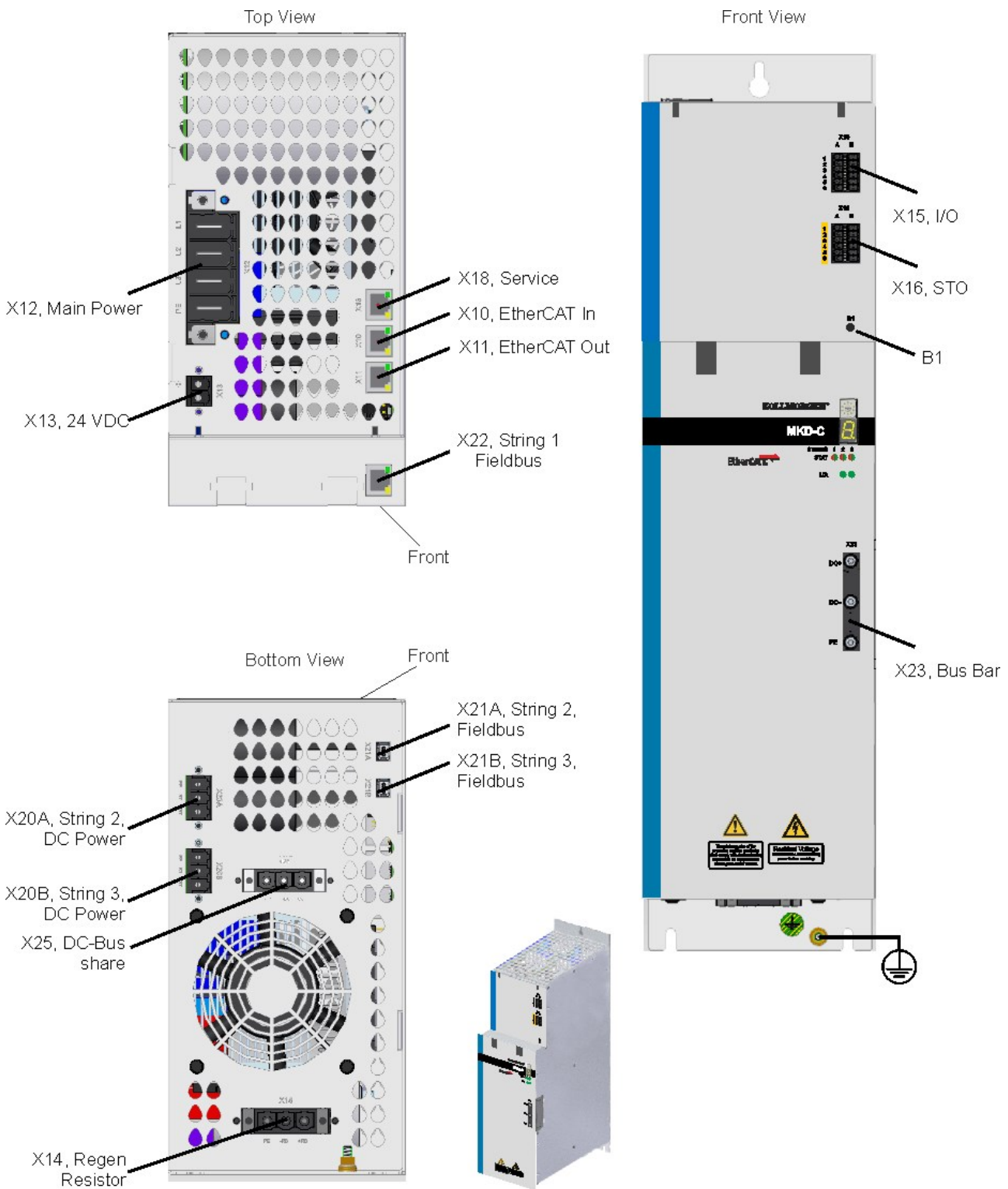


8.5.3 Topology example with one external string migrated to cabinet

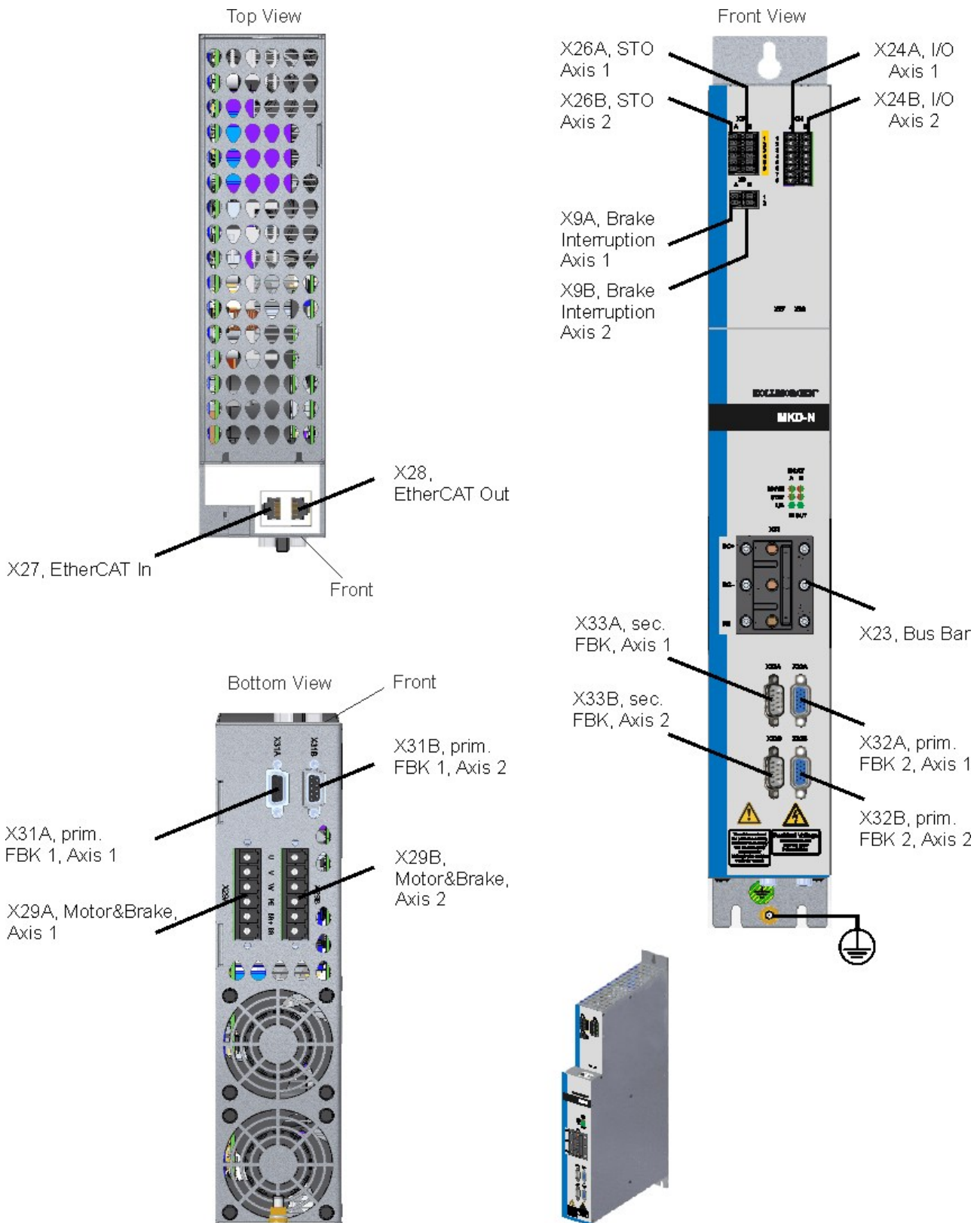


8.6 Connection Overview

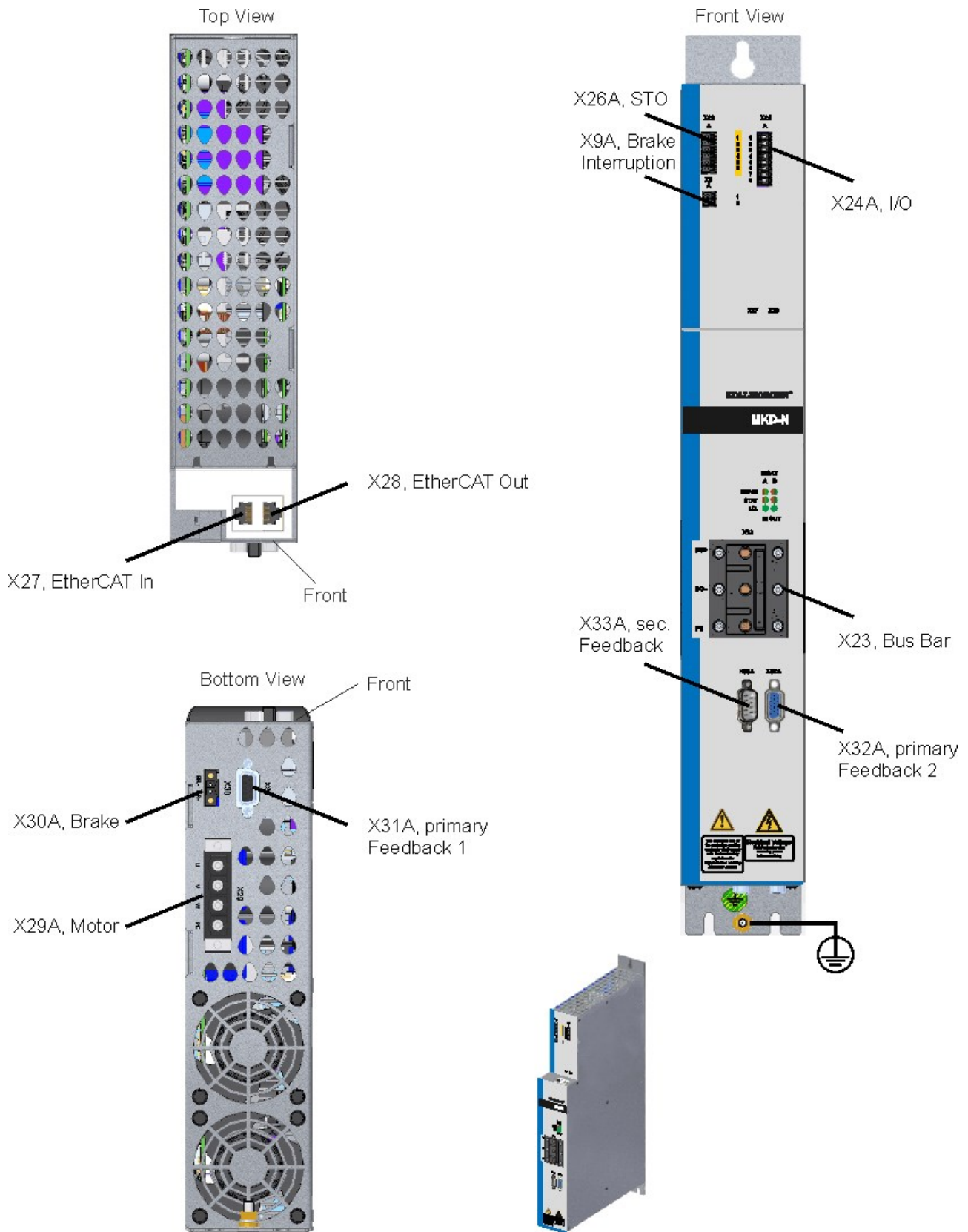
8.6.1 Connector Position MKD-C



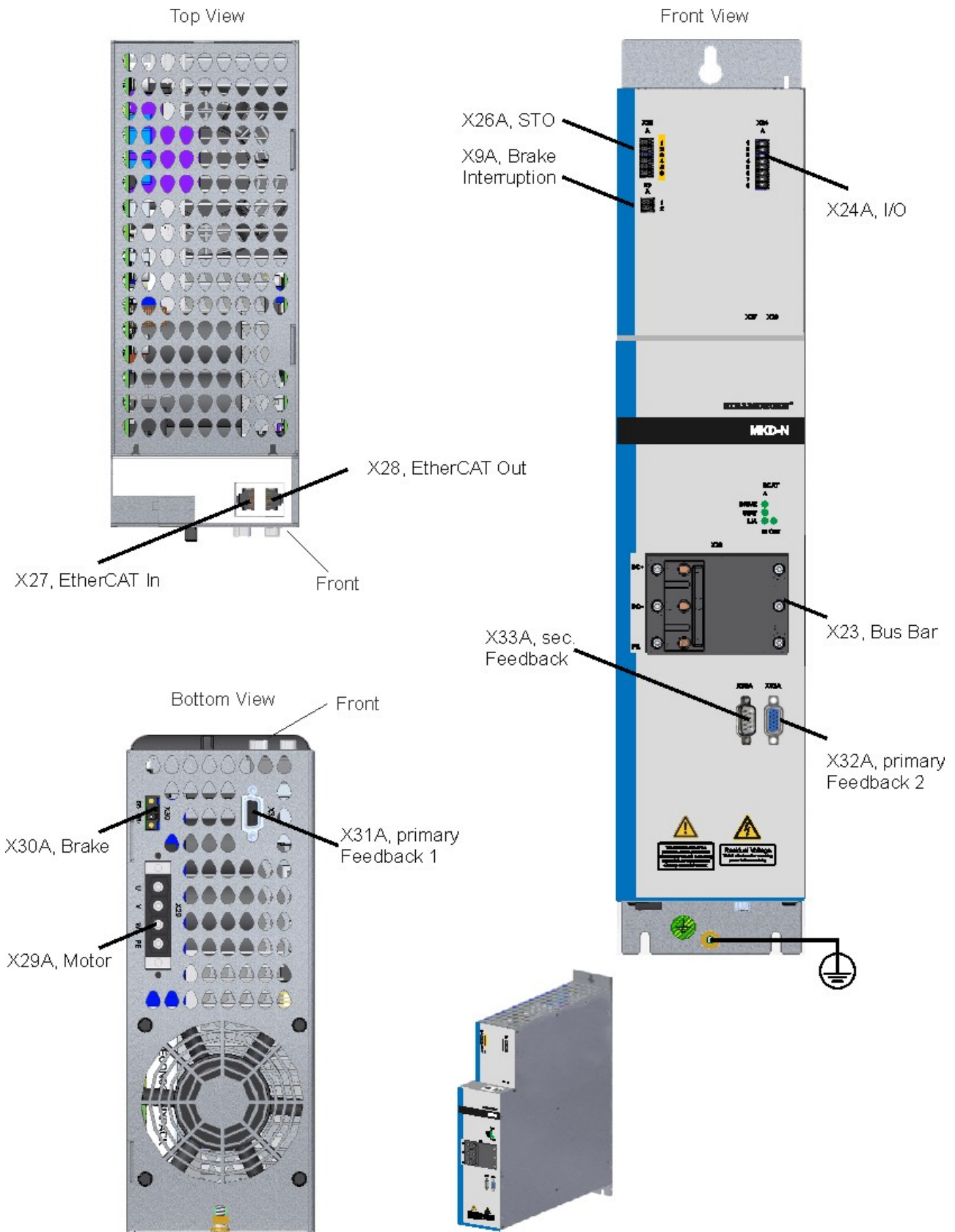
8.6.2 Connector Position MKD-N (6A, 12A)



8.6.3 Connector Position MKD-N (24A)

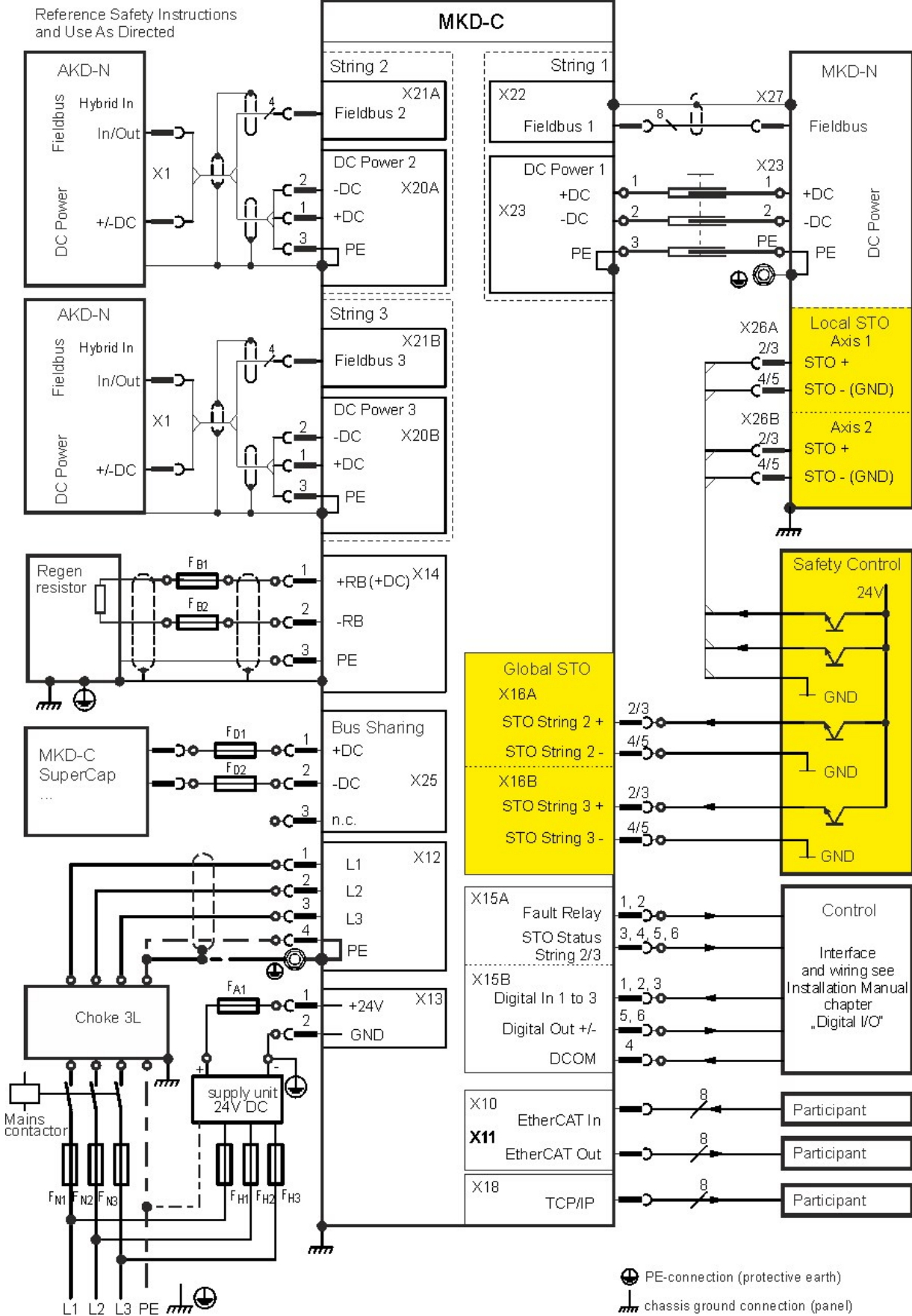


8.6.4 Connector Position MKD-N (48A)



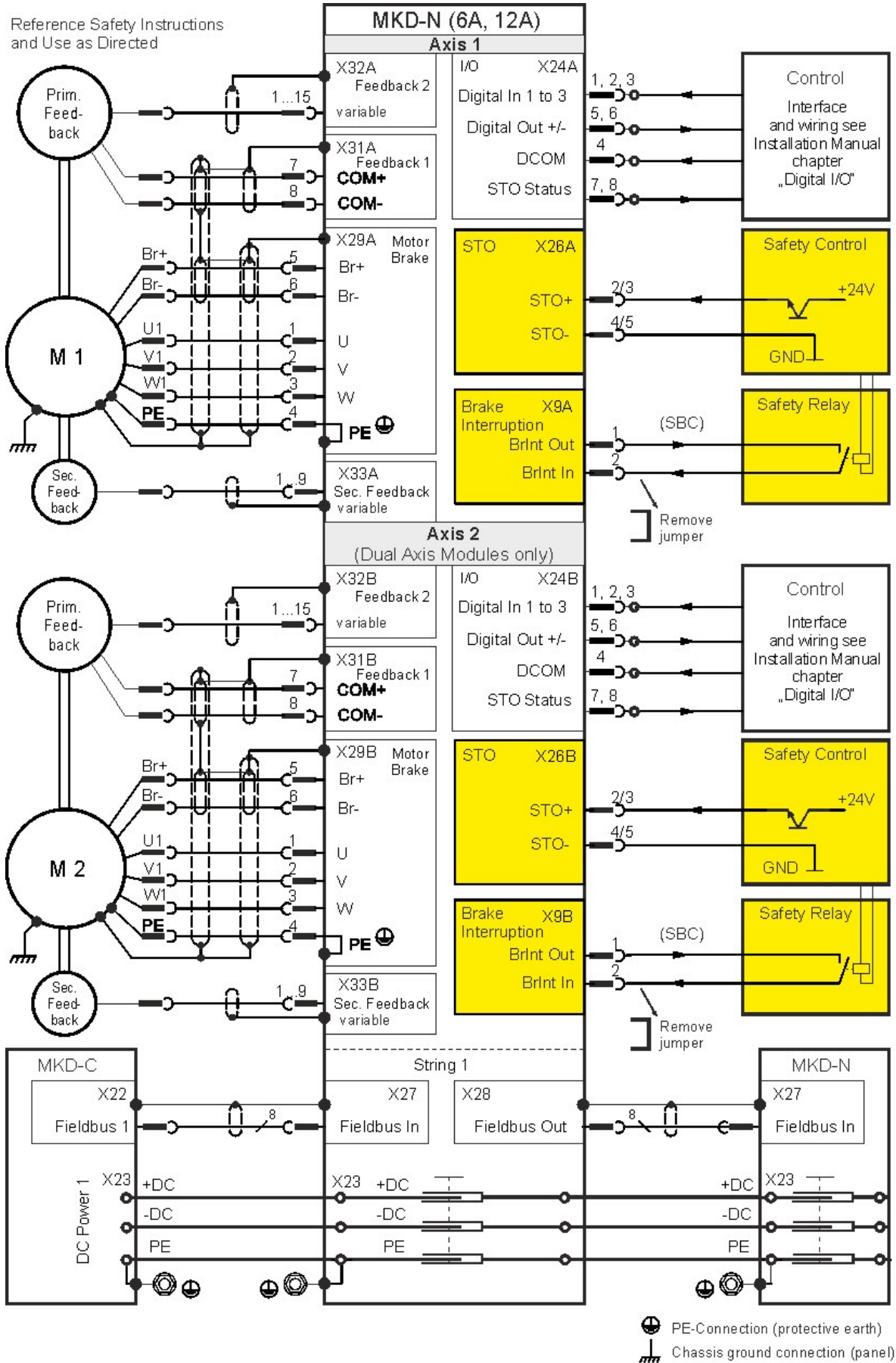
8.6.5 Connection diagrams

8.6.5.1 MKD-C



8.6.5.2 MKD-N (6A, 12A)

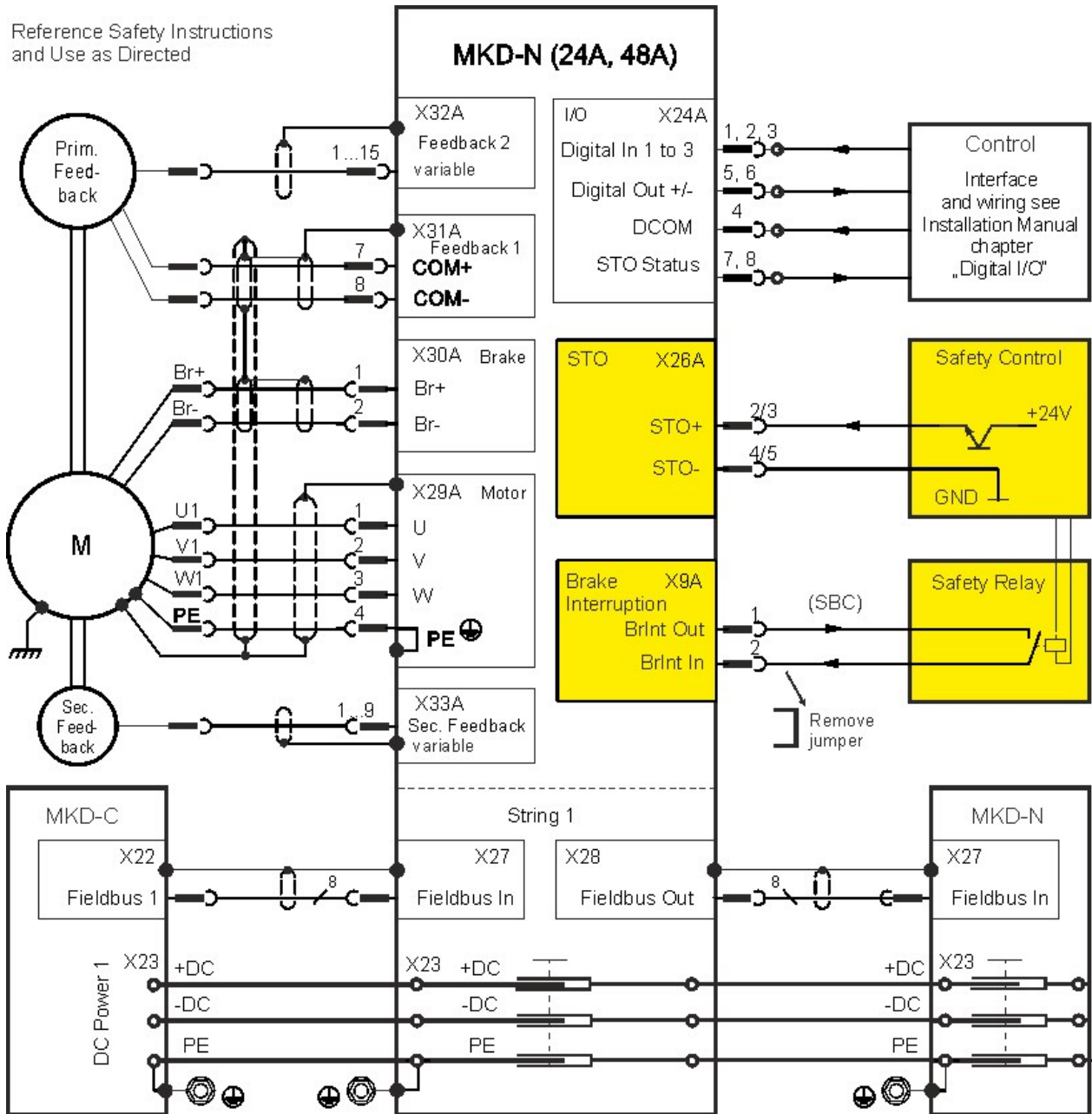
Reference Safety Instructions and Use as Directed



PE-Connection (protective earth)
 Chassis ground connection (panel)

8.6.5.3 MKD-N (24A, 48A)

Reference Safety Instructions and Use as Directed



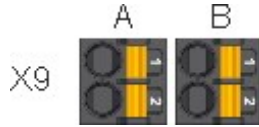
PE-Connection (protective earth)
Chassis ground connection (panel)

8.6.6 Connector pin assignments

NOTE

- Connector and mating connector data: (→ # 34).
- Recommended cable cross sections and wiring details: (→ # 36) .
- Cable length restrictions: (→ # 38).

8.6.6.1 X9A, X9B: MKD-N, Brake interruption



- MKD-N, front
- 2 pin, pitch 3.5 mm
- X9A for Axis 1, (pin 1 coded)
- X9B for Axis 2 if applicable (pin 2 coded)
- Wiring example Brake Interruption: (→ # 117)

Pin	Signal	Description
1	BrInt Out	Brake interruption +
2	BrInt In	Brake Interruption -

NOTICE

This functionality is not approved nor certified. Do not use this functionality in applications. Use cable with minimum 0.5 mm² cross section to jumper the connector pins 1 and 2.

8.6.6.2 X10, X11: MKD-C, EtherCAT Fieldbus In/Out



- MKD-C, top
- RJ45 with built-in green and yellow LEDs
- X10 IN port, X11 OUT port
- Interface Details: (→ # 100)

Pin	Signal	Pin	Signal
1	Transmit +	5	n.c.
2	Transmit -	6	Receive-
3	Receive+	7	n.c.
4	n.c.	8	n.c.

8.6.6.3 X12: MKD-C, Mains Supply



- MKD-C, top
- 4 pin, pitch 7.62 mm
- With shield plate
- Wiring example power supply: (→ # 75)

Pin	Signal	Description
1	L1	3~ mains supply L1, 1~ supply L, DC supply +
2	L2	3~ mains supply L2
3	L3	3~ mains supply L3, 1~ supply N, DC supply -
4	PE	Protective earth

8.6.6.4 X13: MKD-C, 24V DC Logic Supply

X13

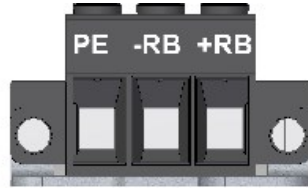


- MKD-C, top
- 2 pin, pitch 5.08 mm
- optional T version
- Wiring example 24V supply: (→ # 76)

Pin	Signal	Description
1	+ 24 V	+24 VDC supply voltage, PELV
2	GND	Ground for 24 VDC supply voltage, PELV

8.6.6.5 X14: MKD-C, External regen resistor

X14

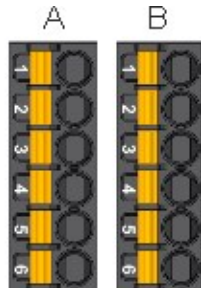


- MKD-C, bottom
- 3 pin, pitch 10.16 mm
- optional T version
- Wiring example external regen resistor: (→ # 84)

Pin	Signal	Description
1	+ RB	External regen resistor +
2	- RB	External regen resistor -
3	PE	Protective earth

8.6.6.6 X15A, X15B: MKD-C, I/O

X15

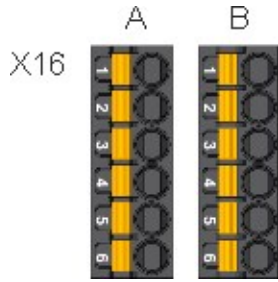


- MKD-C, front
- 2 x 6 pins, pitch 3.5 mm
- X15A pin 4 coded
- X15B pin 3 coded
- Wiring examples:
 - Digital Input: (→ # 95)
 - Digital Output: (→ # 98)

X15A Pin	Signal	Description
1	Relay Out +	Relay contact, normally open, 24 VDC, 1A
2	Relay Out -	Relay contact, normally open, 24 VDC, 1A
3	STO Status String 2+	Global STO Status + for String 2
4	STO Status String 2-	Global STO Status - for String 2
5	STO Status String 3+	Global STO Status + for String 3
6	STO Status String 3-	Global STO Status - for String 3

X15B Pin	Signal	Description
1	Digital-In 1	Slow, isolated, sink, type EN 61131-2 type 1
2	Digital-In 2	Slow, isolated, sink, type EN 61131-2 type 1
3	Digital-In 3	Slow, isolated, sink, type EN 61131-2 type 1
4	DCOM	Ground for digital I/O
5	Digital-Out+	Slow, isolated, sink, type EN 61131-2 type 1
6	Digital-Out-	Slow, isolated, sink, type EN 61131-2 type 1

8.6.6.7 X16A, X16B: MKD-C, Global STO String 2 and 3



- MKD-C, front
- 2 x 6 pins, pitch 3.5 mm
- X16A for String 2, pin 2 coded
- X16B for String 3, pin1 coded
- Wiring examples Global STO: (→ # 108)

X16A Pin	Signal	Description
1	+ 24 V	24 V output voltage (unused)
2	STO String 2 +	Global STO Enable String 2 +
3	STO String 2 +	Global STO Enable String 2 +
4	STO String 2 -	Global STO Enable String 2 -
5	STO String 2 -	Global STO Enable String 2 -
6	GND	Ground

X16B Pin	Signal	Description
1	+ 24 V	24 V output voltage (unused)
2	STO String 3 +	Global STO Enable String 3 +
3	STO String 3 +	Global STO Enable String 3 +
4	STO String 3 -	Global STO Enable String 3 -
5	STO String 3 -	Global STO Enable String 3 -
6	GND	Ground

8.6.6.8 X18: MKD-C, Service



- MKD-C, top
- RJ45 with built-in green and yellow LEDs
- 100/10 Mbit Ethernet TCP/IP
- Supports auto-IP, DHCP and fixed IP addressing
- Supports point-to-point (i.e. Auto-IP) and connection via network switches
- Supports automatic discovery in WorkBench if in the same sub-net.
- Interface Details: (→ # 101)

Pin	Signal	Description
1	Tx +	Transmit +
2	Tx -	Transmit -
3	Rx +	Receive +
6	Rx -	Receive -

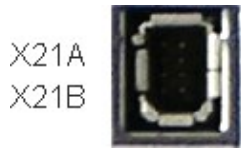
8.6.6.9 X20A, X20B: MKD-C, String 2/3 DC Power



- MKD-C, bottom
- 3 pin, pitch 5.08 mm
- X20A for String 2, X20B for String 3
- String Wiring: (→ # 80)

Pin	Signal	Description
1	+ST	String DC Power +
2	-ST	String DC Power -
3	PE	Protective earth

8.6.6.10 X21A, X21B: MKD-C, String 2/3 Communication



- MKD-C, bottom
- Mini I/O
- X21A for String 2, X21B for String 3
- String Wiring: (→ # 80)

Pin	Signal	Description
1	Rx +	Receive +
2	Rx -	Receive -
3	Tx +	Transmit +
6	Tx -	Transmit -

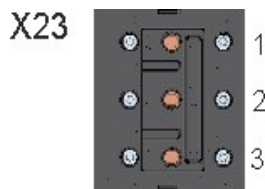
8.6.6.11 X22: MKD-C, String 1 Communication



- MKD-C, front
- RJ45 with built-in green and yellow LEDs
- String Wiring: (→ # 78)

Pin	Signal	Description
1	Tx+	Transmit +
2	Tx -	Transmit -
3	Rx +	Receive +
6	Rx -	Receive -

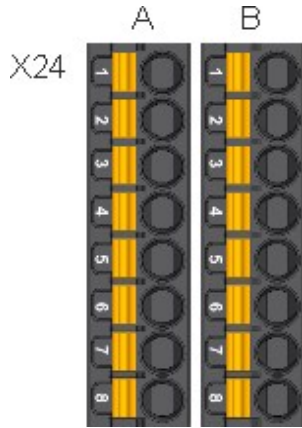
8.6.6.12 X23: MKD-C, MKD-N, String 1 DC Power



- MKD-C, MKD-N, front
- 3 slide contacts with screws
- Connects DC-Bus link between modules
- Details: (→ # 81)

Pin	Signal	Description
1	+ DC	DC bus link +
2	- DC	DC bus link -
3	PE	Protective earth

8.6.6.13 X24A, X24B: MKD-N, I/O



- MKD-N, front
- 8 pins, pitch 3.5 mm
- X24A for axis 1, pin 6 coded
- X24B for axis 2 if applicable, pin 5 coded
- Wiring examples:
 - Digital Input: (→ # 95)
 - Digital Output: (→ # 98)

Pin	Signal	Description
1	Digital-In 1	Fast, isolated, sink, type EN 61131-2 type 1
2	Digital-In 2	Fast, isolated, sink, type EN 61131-2 type 1
3	Digital-In 3	Slow, isolated, sink, type EN 61131-2 type 1
4	DCOM	Ground for digital I/O
5	Digital-Out+	Slow, isolated, sink, type EN 61131-2 type 1
6	Digital-Out-	Slow, isolated, sink, type EN 61131-2 type 1
7	STO Status Out+	Local STO Status +
8	STO Status Out-	Local STO Status -

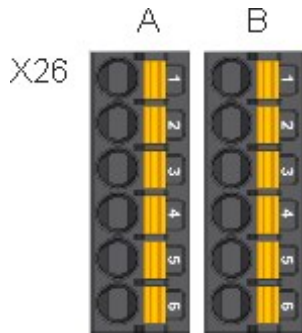
8.6.6.14 X25: MKD-C, DC Bus sharing



- MKD-C, bottom
- 3 pin, pitch 10.16 mm
- With shield plate
- Wiring example DC-Bus: (→ # 81)

Pin	Signal	Description
1	+ DC	DC-Bus link +
2	- DC	DC-Bus link -
3	n.c.	not connected

8.6.6.15 X26A, X26B: MKD-N, Local STO



- MKD-N, front
- 2 x 6 pins, pitch 3.5 mm
- X26A for axis 1, pin 1 coded
- X26B for axis 2 if applicable, pin 2 coded
- Wiring examples Local STO: (→ # 112)

Pin	Signal	Description
1	+ 24 V	24 V output voltage (unused)
2	STO +	Local STO Enable +
3	STO +	Local STO Enable +
4	STO -	Local STO Enable -
5	STO -	Local STO Enable -
6	GND	Ground

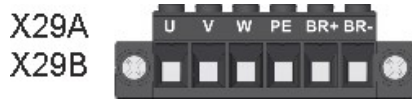
8.6.6.16 X27, X28: MKD-N, String Communication



- MKD-N, front
- RJ45 with built-in green and yellow LEDs
- X27 IN port, X28 OUT port
- Node ID to be set by WorkBench
- Interface Details: (→ # 78)

Pin	Signal	Description
1	Tx+	Transmit +
2	Tx -	Transmit -
3	Rx +	Receive +
6	Rx -	Receive -

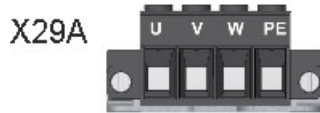
8.6.6.17 X29A, X29B: MKD-N 6A or 12A, Motor Power, Brake



- MKD-N, bottom
- 6 pin, pitch 7.62 mm
- X29A for Axis 1, X29B for Axis 2 if applicable
- Motor power, Motor brake
- With shield plate
- Wiring example motor power/brake: (→ # 85)

Pin	Signal	Description
1	U	Motor phase U
2	V	Motor phase V
3	W	Motor phase W
4	PE	Protective earth
5	BR+	Motor holding brake +
6	BR-	Motor holding brake -

8.6.6.18 X29A: MKD-N 24A or 48A, Motor Power



- MKD-N, bottom
- 4 pin, pitch 7.62 mm
- Motor power, Motor brake
- With shield plate
- Wiring example motor power: (→ # 85)

Pin	Signal	Description
1	U	Motor phase U
2	V	Motor phase V
3	W	Motor phase W
4	PE	Protective earth

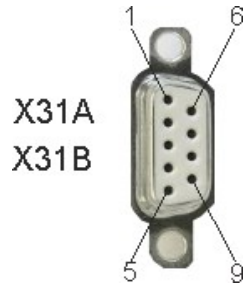
8.6.6.19 X30A: MKD-N 24A or 48A, Motor Brake



- MKD-N, bottom
- 2 pin, pitch 3.81 mm
- required for SIL3 brake control
- Wiring example motor brake: (→ # 85)

Pin	Signal	Description
1	BR+	Motor holding brake +
2	BR-	Motor holding brake -

8.6.6.20 X31A, X31B: MKD-N, primary Feedback 1



- MKD-N, bottom
- Sub-D 9 pin, female
- Mating connector male
- Input for two wire commutation feedback
- X31A for Axis 1, X31B for Axis 2 if applicable
- Wiring examples single cable primary Feedback: (→ # 88)

Pin	Signal	Description
1 to 6	-	not connected
7	COM+	SFD3 + or HIPERFACE DSL +
8	COM-	SFD3 - or HIPERFACE DSL -
9	-	not connected

8.6.6.21 X32A, X32B: MKD-N, primary Feedback 2



- MKD-N, front
- Sub-D high density 15 pin, female
- Mating connector male
- Input for conventional commutation feedback
- X32A for Axis 1, X32B for Axis 2 if applicable
- Wiring examples dual cable primary Feedback: (→ # 91)

Pin	SFD	BiSS B	BiSS C	EnDAT 2.1	EnDAT 2.2	Sine/Cos +Hall	Incr. Enc. +Hall
1	-	-	-	-	-	Hall U	Hall U
2	-	CLK+	CLK+	CLK+	CLK+	Hall V	Hall V
3	-	CLK-	CLK-	CLK-	CLK-	Hall W	Hall W
4	+5 V	+5 V	+5 V	+5 V	+5 V	+5 V	+5 V
5	0 V	0 V	0 V	0 V	0 V	0 V	0 V
6	COM+	DAT+	DAT+	DAT+	DAT+	Zero+	Zero+
7	COM-	DAT-	DAT-	DAT-	DAT-	Zero-	Zero-
8	-	Th+	-	Th+	-	Th+	Th+
9	-	Th-	-	Th-	-	Th-	Th-
10	+5 V	+5 V	+5 V	+5 V	+5 V	+5 V	+5 V
11	0 V	0 V	0 V	0 V	0 V	0 V	0 V
12	-	A+	-	A+	-	A+	A+
13	-	A-	-	A-	-	A-	A-
14	-	B+	-	B+	-	B+	B+
15	-	B-	-	B-	-	B-	B-

CLK = Clock, DAT = Data, Th = thermal control

8.6.6.22 X33A, X33B: MKD-N, secondary Feedback



- MKD-N, front
- Sub-D 9 pin, male
- Mating connector female
- Input for secondary feedback
- X33A for Axis 1, X33B for Axis 2 if applicable
- Wiring examples secondary Feedback: (→ # 91)

Pin	Sine / Cos	Incr. Enc.
1	A+	A+
2	A-	A-
3	0 V	0 V
4	B+	B+
5	B-	B-
6	Shield	Shield
7	Zero+	Zero+
8	Zero-	Zero-
9	+5 V	+5 V

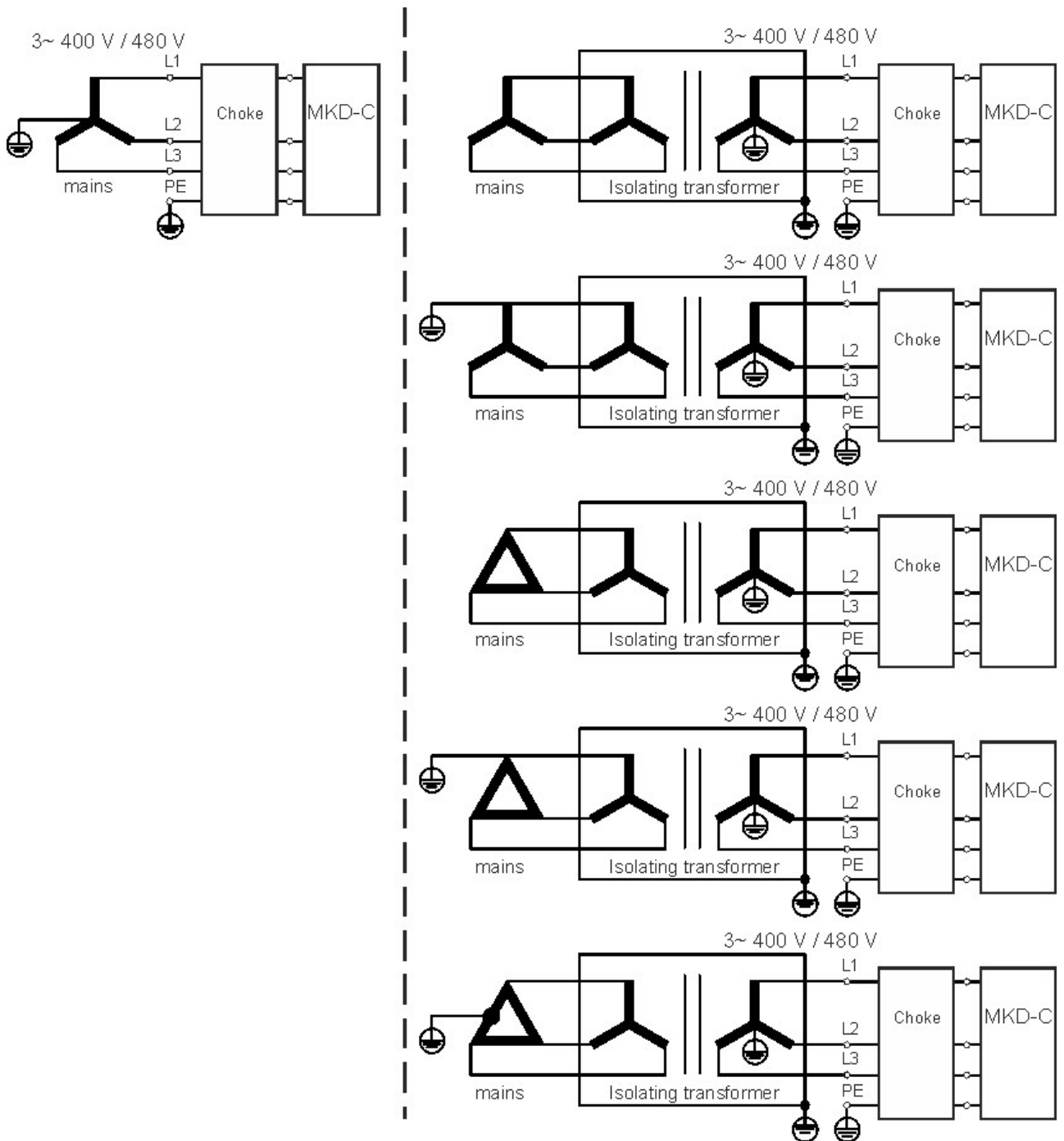
8.7 Electrical Supply Connection

8.7.1 Connection to various mains supply networks

This page illustrates all the possible connection variations for different electrical supply networks. Rated supply voltage (TT network) for MKD-C is 400/480 VAC.

NOTICE

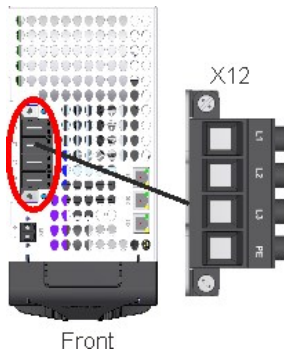
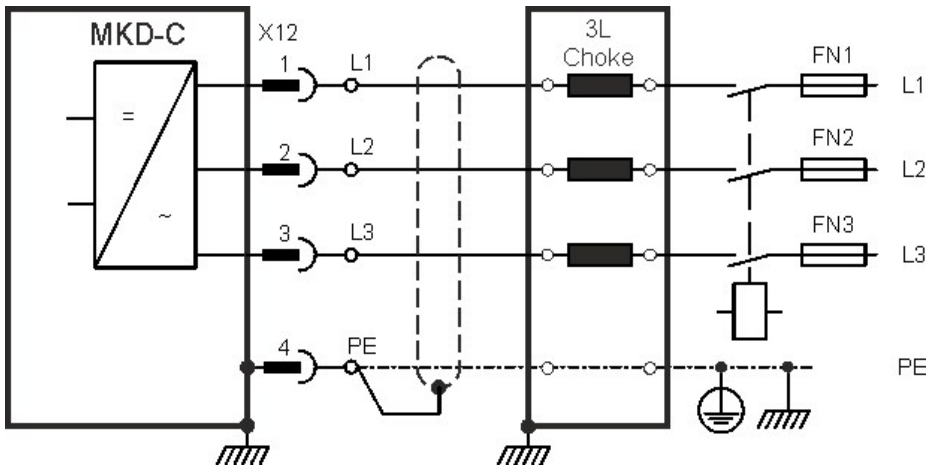
An isolating transformer is required for non TT networks or other voltage ratings.



8.7.2 Mains supply connection (X12)

8.7.2.1 Three phase connection

- Directly to 3-phase supply network (→ # 74), 400/480 VAC, 50/60 Hz
- Fusing (such as fusible cut-outs, FN1/2/3) to be provided by the user: (→ # 33).
- Available Mains Chokes: (→ # 133)



Pin	Signal	Description
1	L1	Line 1
2	L2	Line 2
3	L3	Line 3
4	PE	Protective Earth

8.7.3 Logic supply voltage 24 VDC (X13)

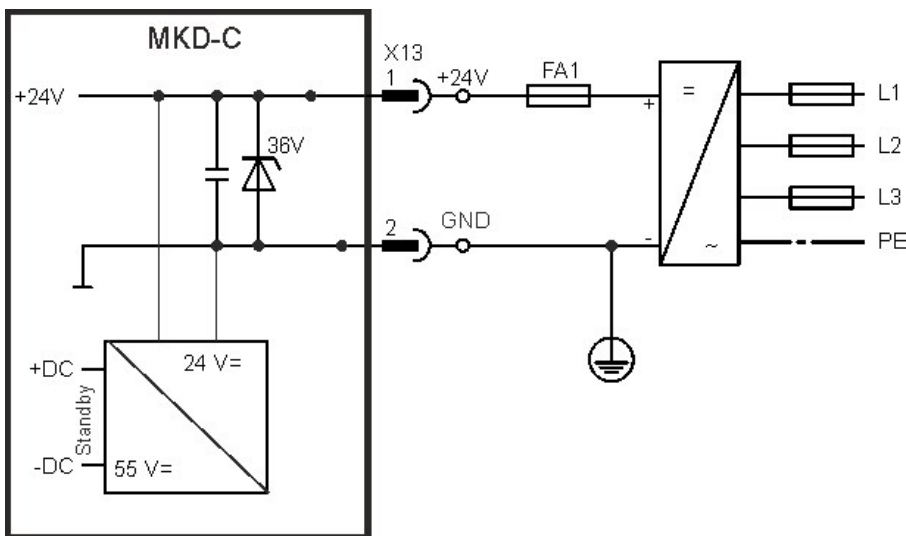
The following diagram describes external 24 VDC / max. 40 A power supply, electrically isolated, for example, via an isolating transformer. The required current rating depends on the use of motor brake and number of connected MKD-N drives.

The 24 VDC voltage is internally split into a control supply to power the MKD-C electronics and a supply voltage to power the connected MKD-N drives in case of switched off AC mains power.

NOTE

Standby power is limited to 750 W at 24 V for both strings. This power must supply all drive modules and the remaining power can be used for motor holding brakes.

Fusing (such as fusible cut-outs, FA1) to be provided by the user: "Fusing" (→ # 33).





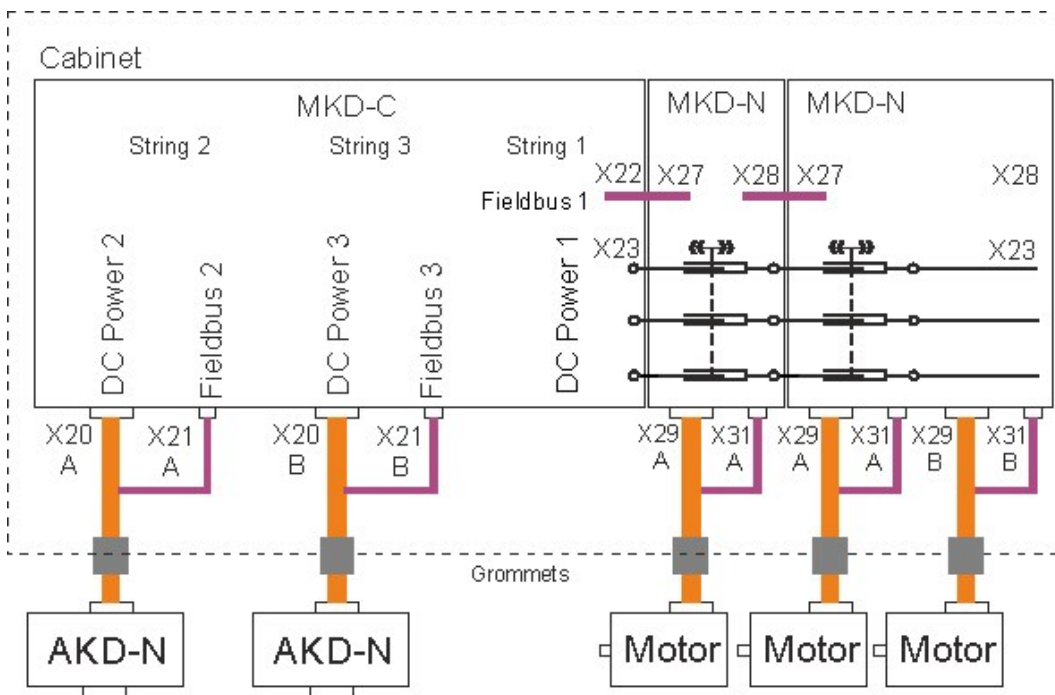
Pin	Signal	Description
1	+24	+24 VDC Auxiliary voltage
2	GND	24V Supply GND

8.8 Drive String Connection

MKD-C support three strings to connect up to 42 drive axes: (→ # 55). The strings are built of a DC-Bus and an internal fieldbus connection.

The DC-Bus is powered with 565 VDC to 680 VDC depending on the mains voltage in standard operation.

If the 3 phase mains voltage is not available, a 55 VDC stand-by power is available from the 24 VDC supply for emergency ramp down or brake situations.



Cable which exit the cabinet, should be threaded through grommets.

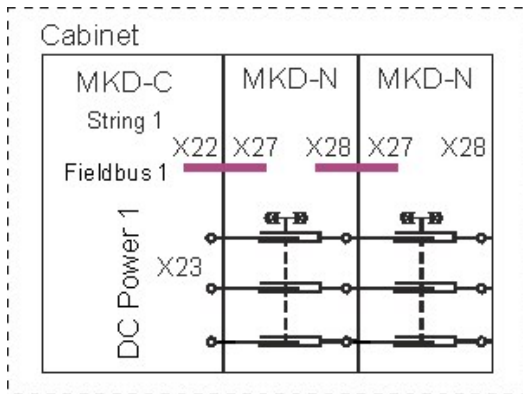
To ensure protection class IP67, Kollmorgen recommends cable entry system KDL/S combined with cable entry grommet KDT/S manufactured by:

Murrplastik Systemtechnik GmbH
 Fabrikstraße 10
 71570 Oppenweiler, Germany
 Phone: +49 (0)7191 482-0
 Website: www.murrplastik.de
 E-Mail: info@murrplastik.de

8.8.1 String 1 (central)

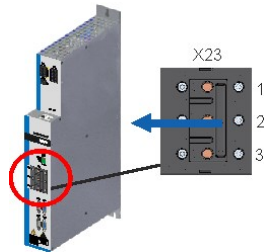
String 1 can be used for connecting central MKD-N drive modules with up to 14 axes.

MKD-N drives modules are connected via sliding terminals (X23, DC Power) and a short fieldbus cable (X22-X27, X28-X27, Fieldbus) to string 1. The string is limited to 30 kW rated power.



DC power (X23)

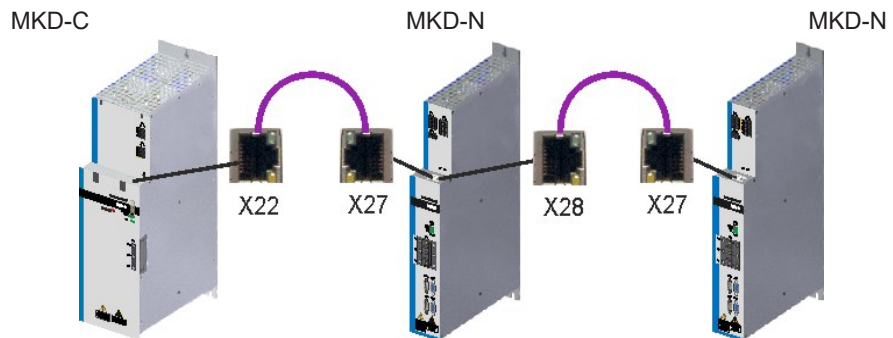
The DC power lines supply DC power for up to 14 MKD-N drives in string 1. Connection for the DC power must be done by a sliding terminals (X23).



Pin	Signal	Description
1	+ DC	String 1 DC power positive
2	- DC	String 1 DC power negative
3	PE	Protective earth

Local Fieldbus (X22, X27, X28)

Local fieldbus connector enables the MKD-C (X22) to communicate with all connected MKD-N via a four line bus medium. Front and RJ45 LED signals (→ # 40).



X22 to X27 or X28 to X27 are connected via the short EtherCAT Module cable (→ # 137).

Pin	Signal	Description
1	Tx+	Transmit +
2	Tx -	Transmit -
3	Rx +	Receive +
6	Rx -	Receive -

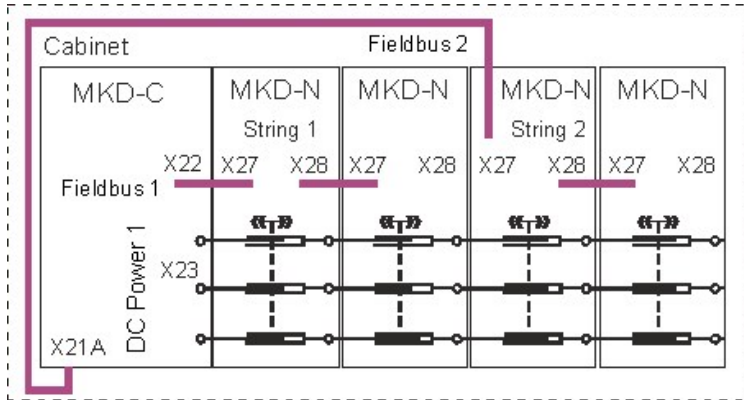
NOTICE

These port may not be directly connected to standard EtherCAT or Ethernet TCP/IP nodes.

8.8.2 Strings 1 and 2 (central)

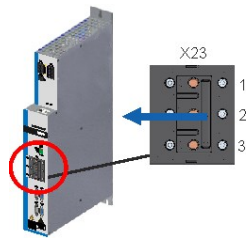
The number of central drive axes can be duplicated by using string 2 as an internal string.

- MKD-N drive modules in string 1 are connected via slider terminals (X23, DC Power) and a short fieldbus cable (X22-X27, X28-X27, Fieldbus) to string 1.
- MKD-N drive modules in string 2 are connected via sliding terminals (X23, DC Power) and a fieldbus adapter cable (X21A-X28, Fieldbus). The combined strings 1 and 2 are limited to 30 kW rated power.



DC power (X23)

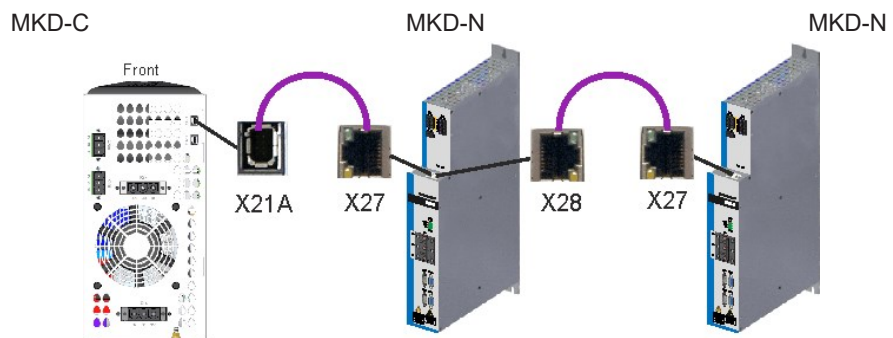
The DC power lines supply DC power for up to 28 MKD-N drives in string 1 and string 2. Connection for the DC power must be done by a sliding terminals (X23).



Pin	Signal	Description
1	+ DC	String 1 DC power positive
2	- DC	String 1 DC power negative
3	PE	Protective earth

Local Fieldbus (X21A, X27)

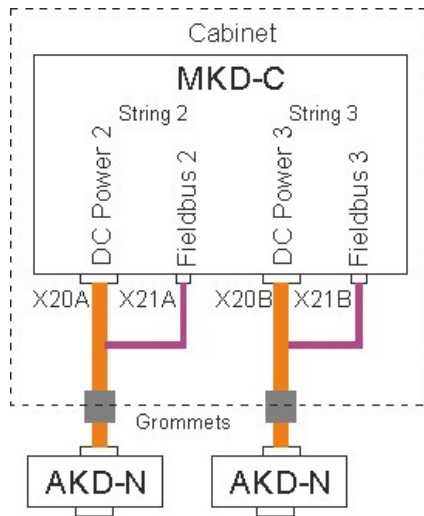
String 2 fieldbus connector X21A enables the MKD-C to communicate with all connected MKD-N via a four line bus medium. This interface is connected to X27 via the Communication Adapter String 2 (→ # 137). Front and RJ45 LED signals (→ # 40).



Pin	Signal	Description
1	Rx +	Receive +
2	Rx -	Receive -
3	Tx +	Transmit +
6	Tx -	Transmit -

8.8.3 Strings 2 and 3 (decentral)

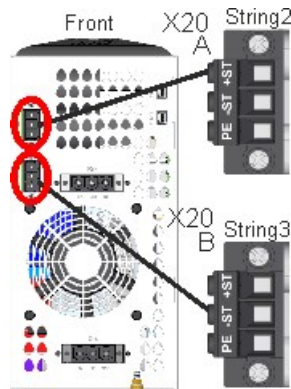
Strings 2 and 3 can be used for connecting up to 28 decentral AKD-N drives. Refer to the *AKD-N Installation Manual* for technical description of these drives. Every string is limited to 10 kW rated power.



For connecting the first AKD-N to one of the DC strings the Kollmorgen cable type MKC-HYB-z-AKN must be used. This cable is a Y type adapter with one hybrid connector on the AKD-N end and two connectors on the MKD-C end with separate DC power and local fieldbus lines. The Kollmorgen hybrid cable AKN-HYB-z-AKN must be used to connect more AKD-N. The Kollmorgen hybrid cables are described in the appendix (→ # 137).

DC power (X20A, X20B)

The DC power lines supply DC power for up to 14 AKD-N drives in one string. Connection for the DC power must be done by a mating connector with strain relief due to EMC reasons. This interface is connected via the Kollmorgen MKC-HYB-z-AKN cable.

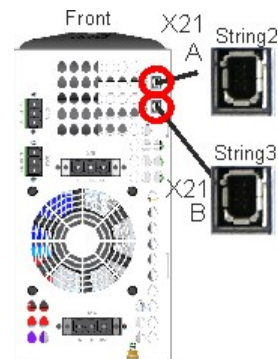


Pin	Signal	Description
1	+ST	String 2/3 DC power positive
2	-ST	String 2/3 DC power negative
3	PE	Protective Earth

X20A supports String 2, X20B supports String 3

Local Fieldbus (X21A, X21B)

Local fieldbus connectors separate for each string enable the MKD-C to communicate with all connected AKD-N via a four line bus medium. This interface is connected via the Kollmorgen MKC-HYB-z-AKN cable. Front LED signals (→ # 40).



Pin	Signal	Description
1	Rx+	Receive +
2	Rx -	Receive -
3	Tx +	Transmit +
6	Tx -	Transmit -
4,5,7,8	n.c.	not connected

X21A supports String 2, X21B supports String 3

8.9 DC Bus link (X20, X23, X25)

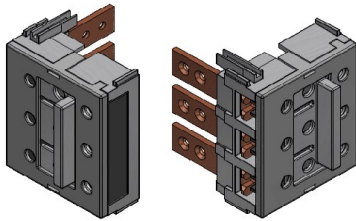
8.9.1 DC Bus bar MKD-C to MKD-N, MKD-N to MKD-N

The DC bus connection between MKD modules is realized by a slider X23.

The sliders are secured with one Torx (TX20 head) screw per pin.

NOTICE

- All screws (on both modules) have to be tightened before switching on voltage: (→ # 35).
- Release all screws before moving the slider.
- On the last (right end) MKD-N Module in the system add the plastic cover and tighten the screws in order to ensure from accidental touch of energized parts.



Pin	Signal	Description
1	+DC	DC Bus link positive
2	-DC	DC Bus link negative
3	PE	Protective Earth

8.9.2 DC Bus Strings MKD-C to AKD-N

Up to 28 AKD-N decentralized drives can be connected to the MKD-C via hybrid string cables on X20/X21: (→ # 77).

8.9.3 DC Bus sharing MKD-C to MKD-C

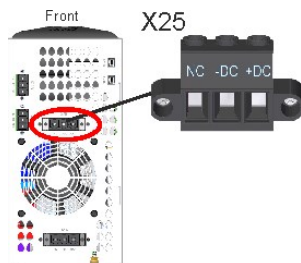
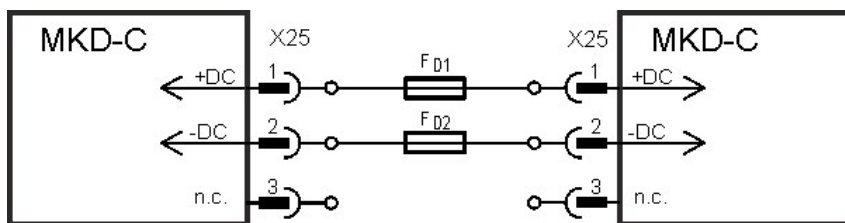
The DC bus link can be shared via X25 with one additional MKD-C. Every MKD-C must have it's own power connection to mains voltage, even if DC bus sharing is used.

NOTICE

Use unshielded single cores with a maximum length of 200 mm. Use shielded cables for longer lengths, maximum 1 m.

The DC-Bus link circuit +DC/-DC is not short circuit proof. Observe the recommended wire cross section: (→ # 36). Use external fusing for device protection.

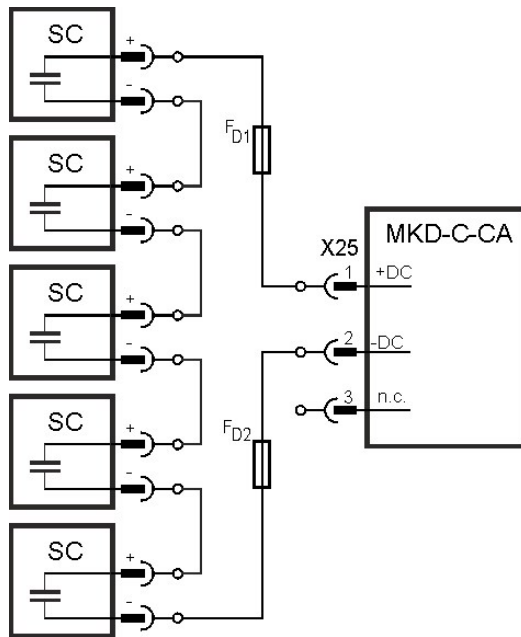
Fusing (such as fusible cut-outs, FD1/FD2) to be provided by the user: (→ # 33) .



Pin	Signal	Description
1	+DC	DC Bus link positive
2	-DC	DC Bus link negative
3	n.c.	not connected

8.9.4 DC Bus sharing MKD-C-CA to Supercapacitor (SC)

MKD-C-CA supports supercapacitor (SC) management.



Tested SC module specification

- Five Maxwell Technologies* capacitor modules (BMOD0006 E 160 B02*) connected in series:
 - Maximum series DC voltage = 750 V
 - Rated capacitance per module = 5.8 F
 - Total calculated capacitance = 1.16 F
 - Maximum continuous current = 7 A
 - See manufacturer data sheet for all information
- External fusing (FD1/FD2): (→ # 33)
- Wire cross section (→ # 36), sufficient cross section is 6 mm².

*= Other SC types and other capacitance from other manufacturers are possible, contact Kollmorgen support.

The objectives of DC bus sharing with an MKD-C-CA device that is connected to a supercapacitor are:

- Eco friendly (saves energy / lower power consumption)
- Higher energy efficiency with DC bus sharing without braking resistor
- Reduce operating cost (lower cost of operation)
- Safe machine shutdown in case of mains failure
- Increased productivity
- Increased motor lifetime

The charging circuit for the connected supercapacitor is realized with current regulators. During the initial start-up of the system the charge circuit limits the inrush AC current and provides the energy charge to DC link, drives and supercapacitor. This functionality allows to utilize a smaller AC mains interconnect switchgear, fuses and wires for the machine.

The MKD-C-CA charge circuit automatically charges the supercapacitor with a specified current based on the application condition during the normal operation. This action limits the input AC mains current and lowers peak power consumption. It also allows to the stabilization of the DC link voltage during the dynamic operation of multiple drives and recovers all kinetic energy during dynamic braking.

During short AC mains power outages this action provides a ride-through capability to the machinery that is operated by the drives and in case of an emergency the stored energy allows the active brake to standstill of the motion system.

The use of supercapacitors as energy storage element requires carefully managed charge/discharge cycles with the optimal level of applied voltage and current.

The supercapacitor must be discharged via an external regen resistor.

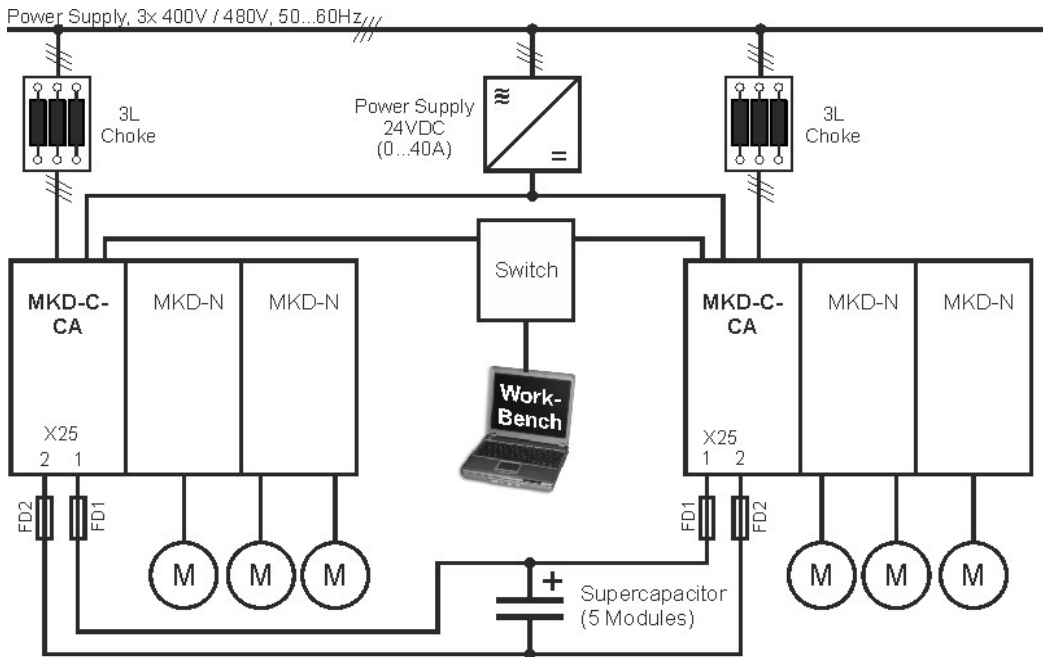
Example wiring for discharging (→ # 84).

The manufacturer of the machine must generate a risk assessment for the sytem with supercap.

8.9.4.1 DC bus sharing examples

The following are the requirements for DC bus sharing with MKD-C devices that are connected to a supercapacitor. For this purpose of DC bus sharing two MKD-C devices can be operated in parallel which are each connected to multiple MKD-N drives.

Parallel connection of MKD-C-CA and MKD-C-CA



Two MKD-C CA versions are connected in parallel to a supercapacitor. Both are connected to AC mains with separate 3L mains chokes and via DC bus to each other and the supercapacitor.

Settings

The following settings must be made for the every MKD-C-CA:

- Check or set the current regulator value (max. 20A) via keyword `VBUS.MAINSCURRENTLIMIT`
- Adjust Precharge timeout or set to 0 s via keyword `VBUS.PRECHARGETO`
- Save to Device

The supercapacitor must be discharged via an external regen resistor. Example wiring for discharging (→ # 84).

8.9.4.2 Discharging



DANGER High Voltage!

There is a danger of serious personal injury or death by electrical shock or electrical arcing.

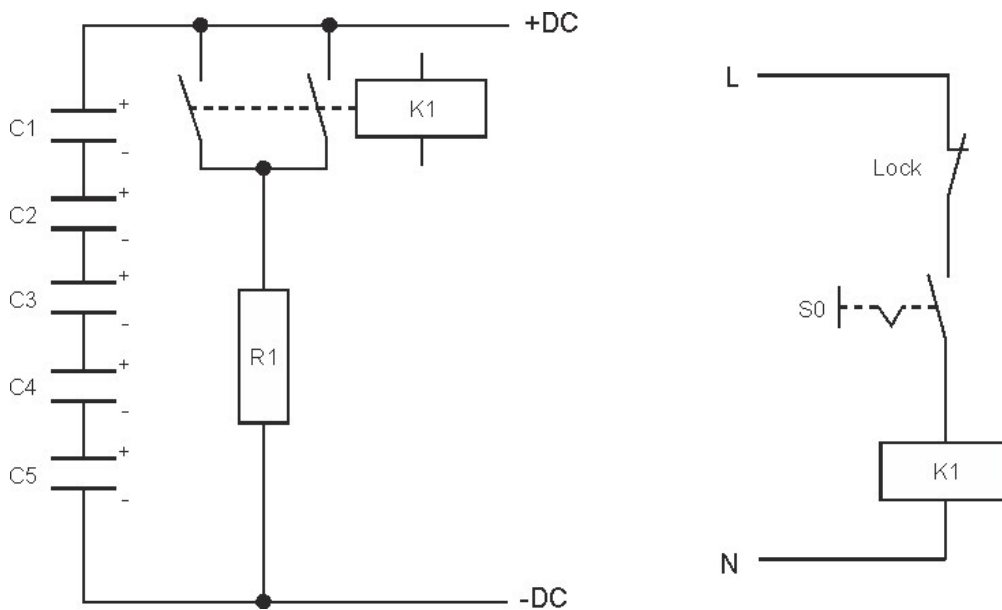
- The user must observe the safety information given by the manufacturer of the supercap modules.
- The manufacturer of the machine must generate a risk assessment for the system with supercap.
- Discharge process and discharge time must be analyzed.
- Warning labels must be placed in the cabinet, if the discharge time exceeds 5 minutes.

Wiring Example

NOTICE

You must ensure, that discharging cannot be started as long as MKD-C-CA is powered from AC mains.

The example below shows a 'Lock' contact which must be open as long as MKD-C-CA is powered from AC mains. The contact should be controlled by the drive mains contactor.



Shut Down sequence

1. Safe Stop the application.
2. Switch of power supply for the MKD-C-CA devices ('Lock' contact closes).
3. Close switch S0 (discharge) and keep it closed for the discharging time analyzed during the risk assessment.
4. Switch off mains power.

Regen resistor (R1) sizing

Please contact Kollmorgen support for help.

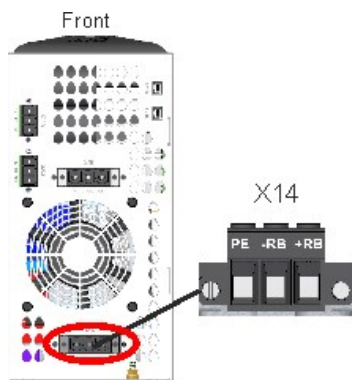
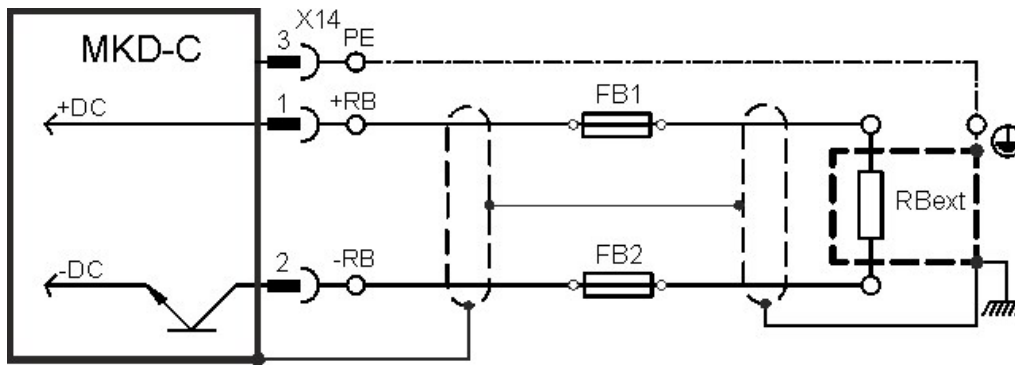
8.10 External Regen resistor (X14)

For technical data on the regen circuit: (→ # 39).

Fusing to be provided by the user: (→ # 33).

Available regen resistors: (→ # 134).

NOTICE The regen circuit +RB/-RB is short circuit proof. Observe the prohibition of continuous, operational short circuits to the external regen resistor contacts (→ # 19).



Pin	Signal	Description
1	+RB	External Regen Resistor positive
2	-RB	External Regen Resistor negative
3	PE	Protective Earth

8.11 Motor Connection

Motor Power

Together with the motor supply cable and motor winding, the power output of the drive forms an oscillating circuit. Characteristics such as cable capacity, cable length, motor inductance, and frequency determine the maximum voltage in the system.

The MKD-N drive is able to protect the connected motor from overloading, if the parameters are set correctly and the thermal protection sensor is connected and supervised. With Kollmorgen motors the valid data are automatically set by the internal motor database.

NOTICE The dynamic voltage rise can lead to a reduction in the motor operating life and, on unsuitable motors, to flash-overs in the motor winding.

- Only install motors with insulation class F (acc. to IEC60085) or above.
- Only install Kollmorgen cables that meet the requirements: (→ # 36).

Motor Brakes

A 24 V holding brake in the motor can be controlled directly by the drive. The brake works with sufficient 24 V voltage level only. Check voltage drop, measure the voltage at brake input and check brake function (brake and no brake). Maximum current for the motor brake is 1 A with MKD-N 6 A axes and 1.5 A with MKD-N 12/24/48A axes.

NOTE The stand-by power supply from MKD-C limits the number of brakes in the system.



CAUTION Cranes, suspended load

Serious injury could result when a suspended load is not properly blocked. Functional safety requires an additional, external mechanical brake, operated by a safety controller. The chapter “Brake interruption contact” describes how to use MKD contacts to realize an SBC function: (→ # 116).

- Add a safe mechanical blocking (for instance, an additional brake using the safe brake interruption: (→ # 116)).
- Set parameter MOTOR.BRAKEIMM to 1 with vertical axes, to apply the motor holding brake immediately after faults or Hardware Disable.

The brake function must be enabled and configured with parameters using WorkBench, for details refer to the online help.

Motor Feedback

Every closed servo system normally requires at least one feedback device for sending actual values from the motor to the drive. Depending on the type of feedback device used, information will be fed back to the drive using digital or analog means.

MKD-N supports the most common types of feedback devices. SFD3 and HIPERFACE DSL (short: DSL) are feedback systems with a dual line serial interface. These feedback systems are used for single cable connection between motor and drive. Conventional feedback systems like incremental, or sine, or BiSS, or EnDAT encoders are connected by separate feedback cables, which results in a dual cable connection to the drive.

Feedback functions are assigned with parameters in WorkBench (the software to set up your drive). Scaling and other settings are also performed in WorkBench. For a detailed description of the parameters, please refer to the WorkBench online help. Refer to parameter MOTOR.RTYPE for supported thermal sensors.

8.11.1 Motor single cable connection (X29, X30, X31)

Motors with single cable connection (motor power lines, motor holding brake lines and motor feedback lines combined in one hybrid cable) have one connector on the motor end and two or three connectors on the drive end.

MKD-N 6 A or 12 A axes

X29B and X31B are available in dual-axis modules only.

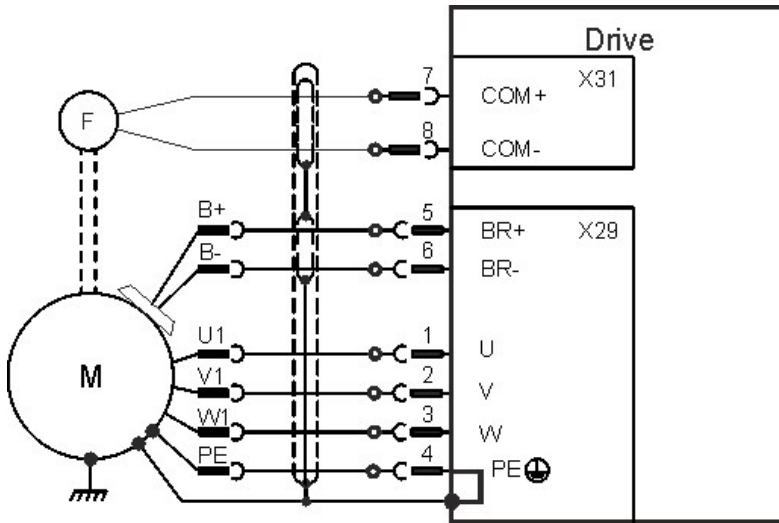
	X29	Signal	Description
	1	U	Motor phase U
	2	V	Motor phase V
	3	W	Motor phase W
	4	PE	Protective earth (motor housing)
	5	BR+	Motor Brake positive
	6	BR-	Motor Brake negative
	7	COM+	SFD3/DSL positive
	8	COM-	SFD3/DSL positive

MKD-N 24 A or 48 A axes

	X29	Signal	Description
	1	U	Motor phase U
	2	V	Motor phase V
	3	W	Motor phase W
	4	PE	Protective earth (motor housing)
	1	BR+	Motor Brake positive
	2	BR-	Motor Brake negative
	7	COM+	SFD3/DSL positive
	8	COM-	SFD3/DSL positive

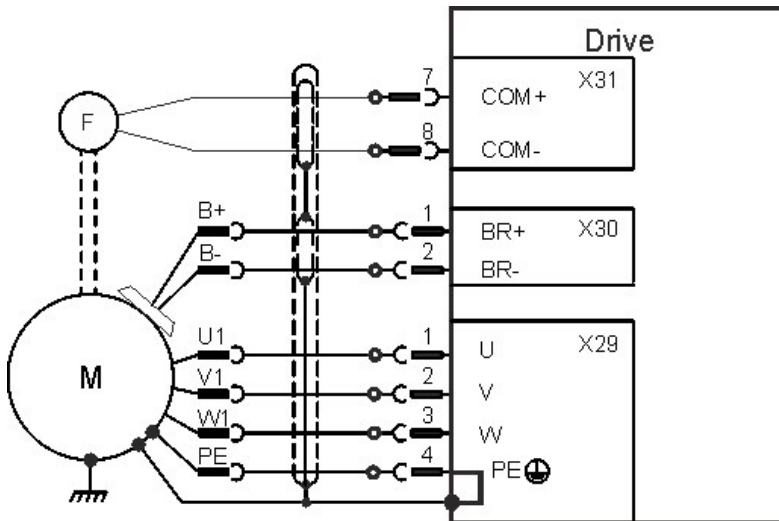
8.11.1.1 Motor Power and Motor Brake X29, Motor Feedback X31

Valid for MKD-N axes with 6 A or 12 A.



8.11.1.2 Motor Power X29, Motor Brake X30, Motor Feedback X31

Valid for MKD-N axes with 24 A or 48 A.



8.11.2 Motor dual cable connection (X29, X30, X32)

Motors with dual cables connection (motor power lines and motor feedback lines in separate cables).

MKD-N 6 A or 12 A axes

X29B and X32B are available in dual-axis modules only.

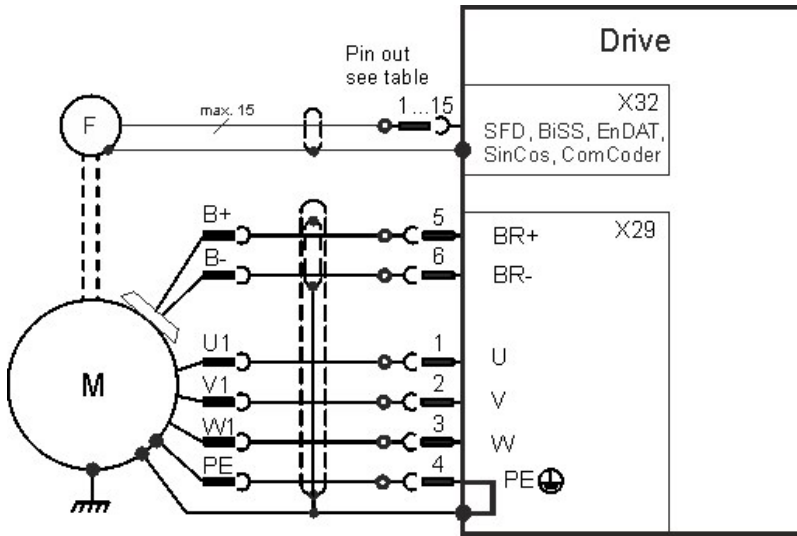
	X29	Signal	Description
	1	U	Motor phase U
	2	V	Motor phase V
	3	W	Motor phase W
	4	PE	Protective earth (motor housing)
	5	BR+	Motor Brake positive
	6	BR-	Motor Brake negative
	1...15	div	See (→ # 91)

MKD-N 24 A or 48 A axes

	X29	Signal	Description
	1	U	Motor phase U
	2	V	Motor phase V
	3	W	Motor phase W
	4	PE	Protective earth (motor housing)
	1	BR+	Motor Brake positive
	2	BR-	Motor Brake negative
	1...15	div	See (→ # 91)

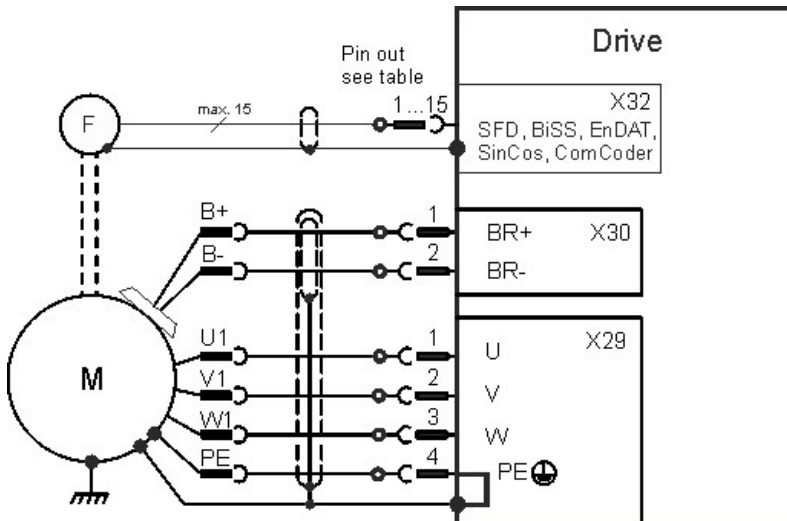
8.11.2.1 Motor Power and Motor Brake X29

Valid for MKD-N axes with 6 A or 12 A.

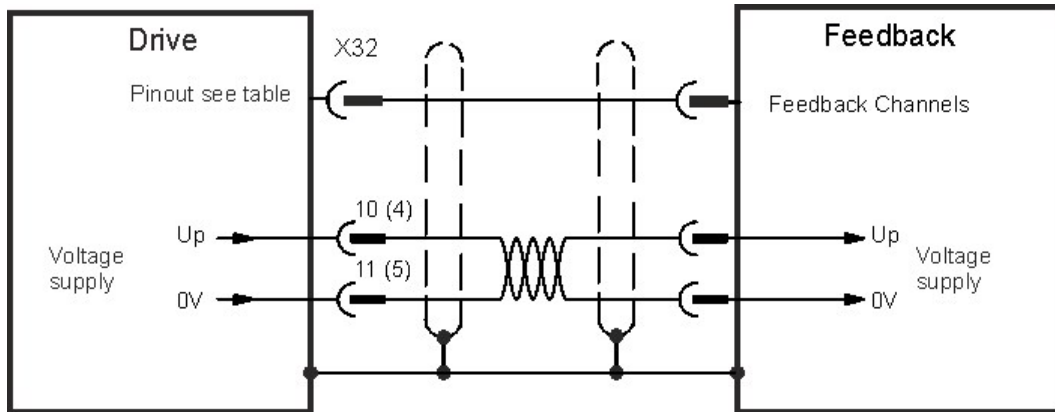


8.11.2.2 Motor Power X29, Motor Brake X30

Valid for MKD-N axes with 24 A or 48 A.



8.11.2.3 Motor Feedback X32



X32B is available in dual-axis modules only.

X32	SFD	BiSS B	BiSS C	EnDAT 2.1	EnDAT 2.2	Sine/Cos +Hall	Incr. Enc. +Hall
1	-	-	-	-	-	Hall U	Hall U
2	-	CLK+	CLK+	CLK+	CLK+	Hall V	Hall V
3	-	CLK-	CLK-	CLK-	CLK-	Hall W	Hall W
4	+5 V	+5 V	+5 V	+5 V	+5 V	+5 V	+5 V
5	0 V	0 V	0 V	0 V	0 V	0 V	0 V
6	COM+	DAT+	DAT+	DAT+	DAT+	Zero+	Zero+
7	COM-	DAT-	DAT-	DAT-	DAT-	Zero-	Zero-
8	-	Th+	-	Th+	-	Th+	Th+
9	-	Th-	-	Th-	-	Th-	Th-
10	+5 V	+5 V	+5 V	+5 V	+5 V	+5 V	+5 V
11	0 V	0 V	0 V	0 V	0 V	0 V	0 V
12	-	A+	-	A+	-	A+	A+
13	-	A-	-	A-	-	A-	A-
14	-	B+	-	B+	-	B+	B+
15	-	B-	-	B-	-	B-	B-

CLK = Clock, DAT = Data, Th = thermal control

BiSS Mode C interface from Renishaw (model Resolute RA26B)

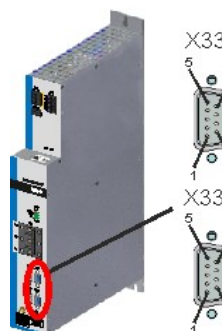
8.12 Secondary Feedback Connection (X33)

It is possible to set up master/slave systems, use an external encoder as a command encoder, secondary feedback device (dual loop control) or connect the amplifier to a third party step controller. See the “Feedback 2” screen in WorkBench for setup.

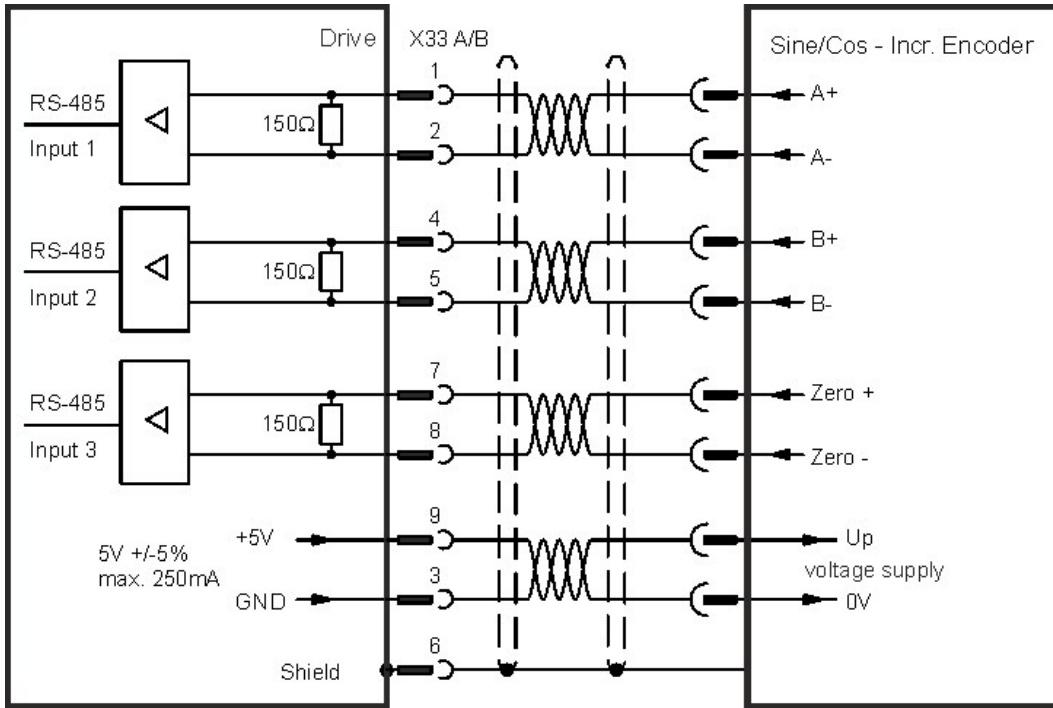
NOTE

Don't use for primary motor feedback connection!

Connector X33 can be configured as an input for 5 V (TTL level) signals.



- Sub-D 9 pin, male
- Mating connector female
- Input for secondary feedback
- X33A for Axis 1, X33B for Axis 2 if applicable



X33B is available in dual-axis modules only.

Pin	Sine / Cos	Incr. Enc.
1	A+	A+
2	A-	A-
3	0 V	0 V
4	B+	B+
5	B-	B-
6	Shield	Shield
7	Zero+	Zero+
8	Zero-	Zero-
9	+5 V	+5 V

8.13 I/O Connection

8.13.1 Technical Data Inputs/Outputs MKD-C

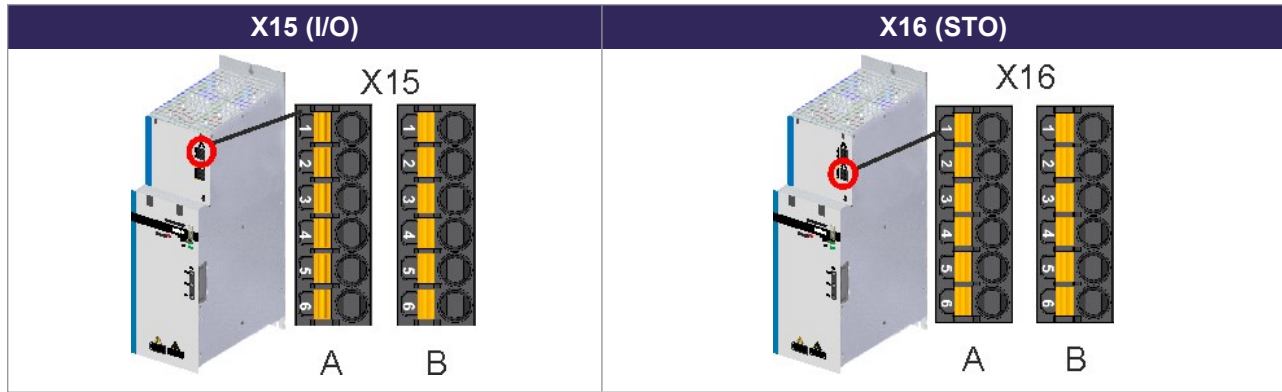
Interface	Electrical Data
Digital inputs (X15B)	<ul style="list-style-type: none"> •as per IEC61131-2 type 1 •ON: 15 VDC to 30 VDC, 2 mA to 15 mA •OFF: -3 VDC to 5 VDC, < 1 mA •update rate 250 μs •galvanic isolation for 250 VDC
Digital outputs (X15B)	<ul style="list-style-type: none"> •as per IEC61131-2 type 1 •max. 30 VDC, 100 mA •short circuit proof •galvanic isolation for 250 VDC
Relay output (X15A)	<ul style="list-style-type: none"> •max. 30 VDC, 1A •max. 42 VAC, 1 A •time open/close 10ms •isolation 400 VDC contact/coil

Interface	Electrical Data
STO-Enable inputs (X16A/B)	<ul style="list-style-type: none"> •ON: 18 VDC to 30 VDC, MKD-C with one AKD-N 80 mA, every additional AKD-N + 25 mA •OFF: 0 VDC to 12 VDC, < 50 mA •immunity 60 VDC
STO-Status outputs (X15A)	<ul style="list-style-type: none"> •as per IEC61131-2 type 1 •max. 30 VDC, 100 mA •galvanic isolation for 250 VDC

8.13.2 Technical Data Inputs/Outputs MKD-N

Interface	Electrical Data
Digital inputs (X24)	<ul style="list-style-type: none"> •as per IEC61131-2 type 1 •ON: 15 VDC to 30 VDC, 2 mA to 15 mA •OFF: -3 VDC to 5 VDC, < 1 mA •galvanic isolation for 30 VDC •2 high speed inputs: update rate 2 μs •1 standard input: update rate 250 μs
Digital output (X24)	<ul style="list-style-type: none"> •as per IEC61131-2 type 1 •max. 30 VDC, 100 mA •short circuit proof •galvanic isolation for 30 VDC •Update rate 250 μs
STO input (X26)	<ul style="list-style-type: none"> •ON: 18 VDC to 30 VDC, 80 mA •OFF: 0 VDC to 12 VDC, < 50 mA •immunity 60 VDC
STO outputs (X24)	<ul style="list-style-type: none"> •as per IEC61131-2 type 1 •max. 30 VDC, 100 mA •short circuit proof •galvanic isolation for 30 VDC •Update rate 62.5 μs

8.13.3 Pinout MKD-C I/O connectors X15 and X16



Digital I/O signals are connected to X15A and X15B

X15A Pin	Signal	Abbreviation	Function	Wiring Diagram
1	Relay Output +	Relay +	Relay Output, programmable	(→ # 98)
2	Relay Output -	Relay -		
3	STO Status String 2+	STO-Status 2+	Global STO Status of String 2	(→ # 110)
4	STO Status String 2-	STO-Status 2-		
5	STO Status String 3+	STO-Status 3+	Global STO Status of String 3	
6	STO Status String 3-	STO-Status 3-		

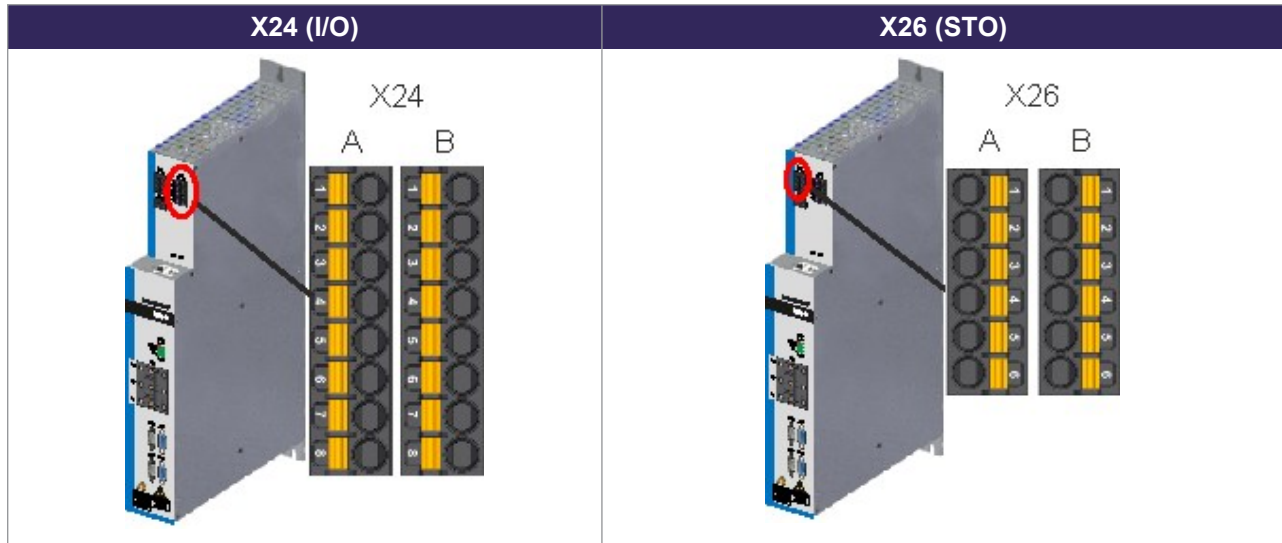
X15B Pin	Signal	Abbreviation	Function	Wiring Diagram
1	Digital Input 1	Digital-In 1	Enable, programmable	(→ # 95)
2	Digital Input 2	Digital-In 2	Programmable	
3	Digital Input 3	Digital-In 3	Programmable	
4	Digital Common	DCOM	Common line for digital inputs	
5	Digital Output +	Digital-Out+	Transistor Output, programmable	(→ # 98)
6	Digital Output -	Digital-Out-		

STO signals are connected to X16A and X16B

X16A Pin	Signal	Abbreviation	Function	Wiring Diagram
1	+ 24 V STO	+ 24 V STO	24V STO supply voltage	(→ # 110)
2	STO-Enable String 2 +	STO String 2 +	Global STO Enable of String 2	
3				
4	STO-Enable String 2 -	STO String 2 -		
5				
6	STO Ground	GND STO	Ground of 24 V STO supply	

X16B Pin	Signal	Abbreviation	Function	Wiring Diagram
1	+ 24 V STO	+ 24 V STO	24V STO supply voltage	(→ # 110)
2	STO-Enable String 3 +	STO String 3 +	Global STO Enable String of 3	
3				
4	STO-Enable String 3 -	STO String 3 -		
5				
6	STO Ground	GND STO	Ground of 24 V STO supply	

8.13.4 Pinout MKD-N I/O connectors X24 and X26



Digital I/O signals are connected to X24A (axis 1) and X24B (axis 2 if available)

X24 Pin	Signal	Abbreviation	Function	Wiring Diagram
1	Digital Input 1	Digital-In 1	Enable, programmable	(→ # 95)
2	Digital Input 2	Digital-In 2	Programmable	
3	Digital Input 3	Digital-In 3	Programmable	
4	Digital Common	DCOM	Common line for digital inputs	
5	Digital Output +	Digital-Out+	Transistor Output, programmable	(→ # 98)
6	Digital Output -	Digital-Out-		
7	STO Status Out+	STO-Status +	Local STO Status	(→ # 114)
8	STO Status Out-	STO-Status -		

STO signals are connected to X26A (axis 1) and X26B (axis 2 if available)

X26 Pin	Signal	Abbreviation	Function	Wiring Diagram
1	+ 24 V STO	+ 24 V STO	24V STO supply voltage	(→ # 114)
2	STO-Enable +	STO +	Local STO Enable +	
3				
4	STO-Enable -	STO -	Local STO Enable -	
5				
6	STO Ground	GND STO	Ground of 24 V STO supply	

8.13.5 Wiring of Digital Inputs (X15, X16, X24, X26)

All digital inputs can be used to initiate pre-defined functions. A list of these pre-defined functions is included in WorkBench. If an input is programmed, it must be saved to the device memory. For more information refer to WorkBench.

NOTE

Depending on the selected function, the inputs are high or low active. The inputs can be used with switched +24 V (source type) or switched GND (sink type). Digital input filter can be set in WorkBench to change sensitivity of the inputs (see Online Help).

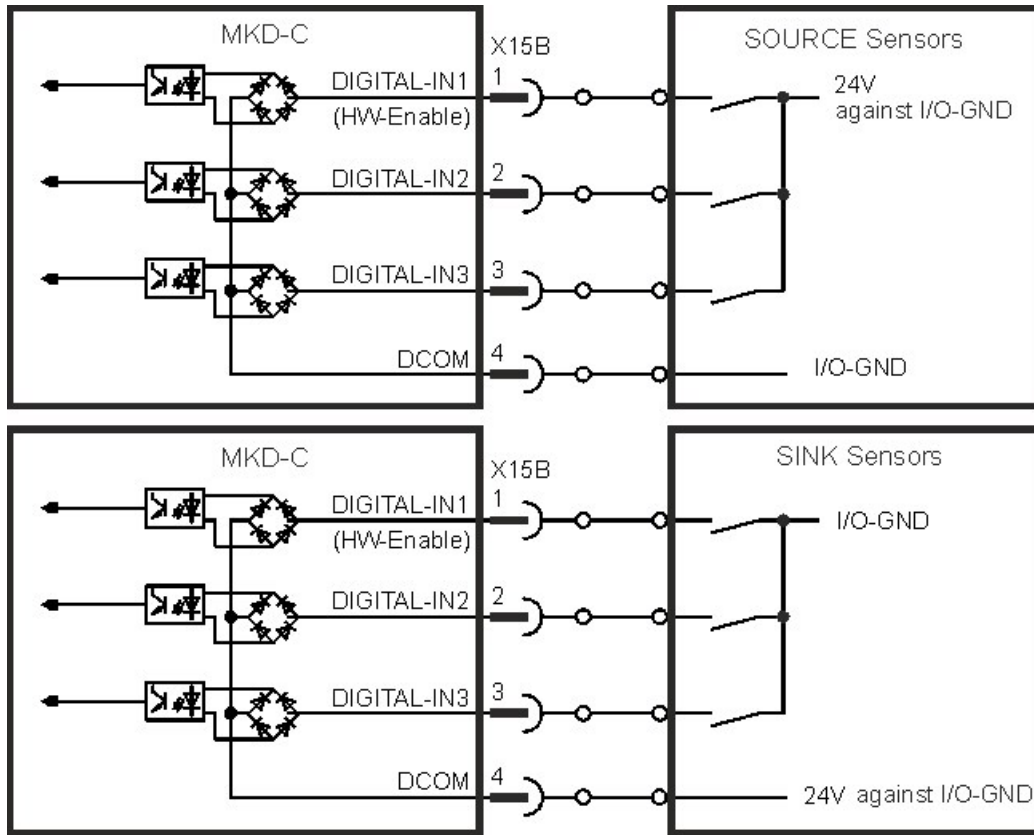
8.13.5.1 Digital Inputs MKD-C (X15B)

Technical characteristics:

- Floating, reference common line is DCOM
- Sink or Source type sensors possible

- High: 15 to 30 V / 2 to 15 mA , Low: -3 to +5 V / <1 mA
- Update rate: firmware reads hardware input state every 250 μ s

Wiring diagram:



Hardware Enable

Digital Input (terminal X15B/1) is set to the Hardware Enable function by default.

NOTE

The Hardware Enable and the Software Enable signal (via fieldbus or WorkBench) are linked serial, that means wiring of Hardware Enable is mandatory.

The output stage of all drives, which are connected to the MKD-C are enabled by applying the ENABLE signal (Terminal X15B/1). Enable is only possible if the input STO-String 2 or 3 (valid for DC power strings 2 or 3) have a 24 V signal (→ # 104) and Software Enable is set. In the disabled state the connected motors have no torque.

8.13.5.2 Digital Inputs MKD-N (X24)

On dual axis MKD-N modules connector X24A is used for axis 1, X24B is used for axis 2.

Digital Inputs 1 and 2

These inputs are particularly fast and are therefore suitable for latch functions, for example.

Technical characteristics:

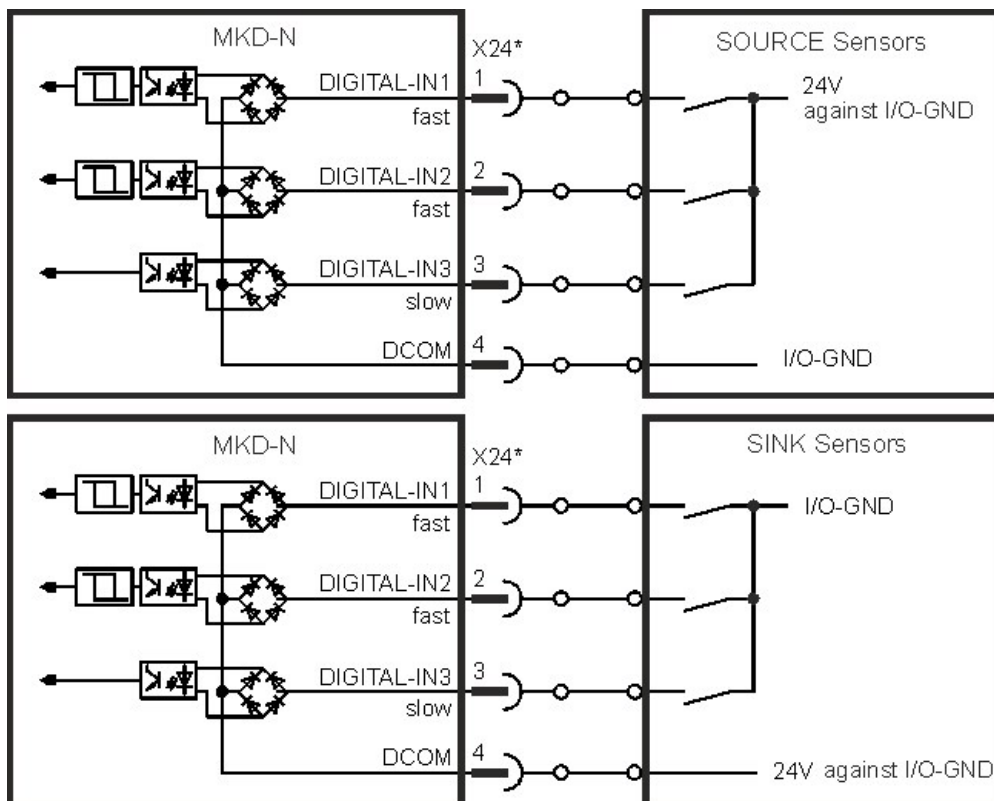
- Floating, reference common line is DCOM
- Sink or Source type sensors possible
- High: 15 to 30 V / 2 to 15 mA , Low: -3 to +5 V / <1 mA
- Update rate: firmware reads hardware input state every 250 μ s
- High accuracy latch: motor feedback position or interpolated time is latched or captured within 2 μ s of input signal transition (with digital input filter set to 40 ns)
- The MKD capture engine is polled every 62.5 μ s (16 kHz) by the firmware

Digital Input 3

Technical characteristics:

- Floating, reference common line is DCOM
- Sink or Source type sensors possible
- High: 15 to 30 V / 2 to 15 mA , Low: -3 to +5 V / <1 mA
- Update rate: firmware reads hardware input state every 250 μ s

Wiring diagram:



* On MKD-N connector X24A is used for axis 1, X24B is used for axis 2 if built-in.

8.13.5.3 STO Enable inputs (X16, X26)

Connector X16 on MKD-C offers access to all global STO input signals of the decentral drive system powered by this MKD-C . There is one STO-Enable input for each decentral DC Power string (strings 2 and 3).

Connector X26 on MKD-N offers access to local STO input signals of the included axes in the MKD-N module. There is one local STO-Enable input for each axis.

For description of STO interface and functionality refer to (→ # 104).

8.13.6 Wiring of Digital Outputs (X15, X24)

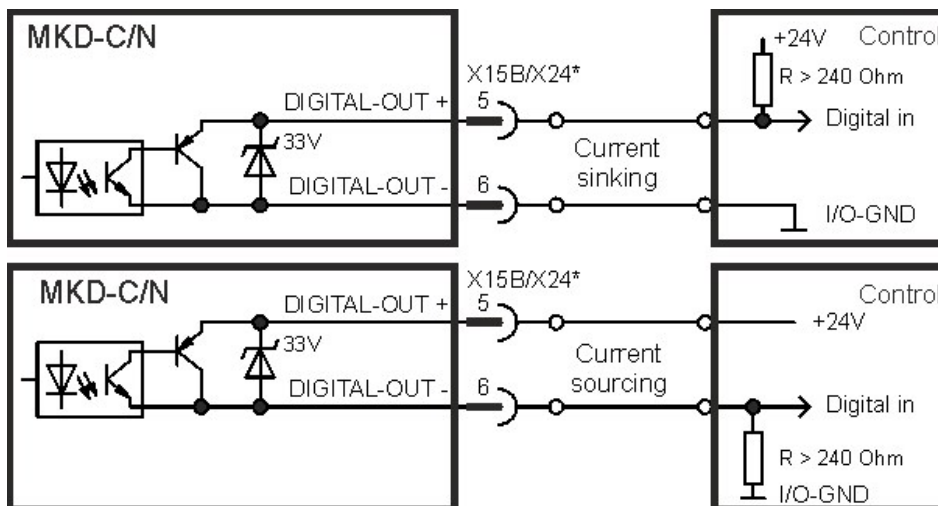
Digital I/O connectors X15A, X15B on MKD-C and X24A, X24B on MKD-N supply programmable digital outputs, (→ # 92). Choose the required function in WorkBench. A list of these pre-defined functions can be found there. If the output is to be assigned to a pre-defined function, then the parameter set must be saved in the device memory.

8.13.6.1 Transistor Outputs (X15B, X24)

Technical characteristics:

- As per IEC61131-2 type 1
- Floating, max. 30 VDC, 100 mA
- Short circuit proof
- Galvanic isolation for 250 VDC
- Can be wired as sink or source (see examples below)
- Update rate: 250 μ s

Wiring diagram:



* On MKD-N connector X24A is used for axis 1, X24B is used for axis 2 if built-in.

8.13.6.2 Relay Output (X15A)

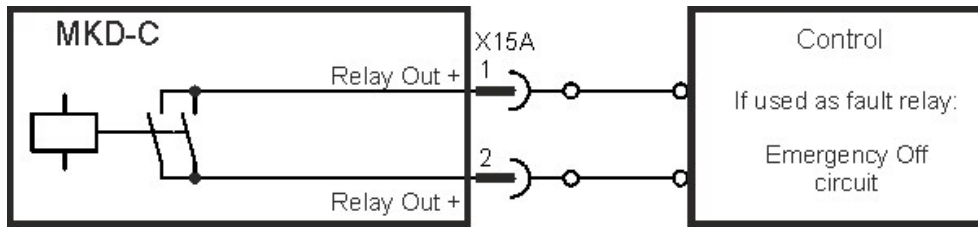
Operational readiness can be signaled by these floating relay contacts. With the relay output set to be a fault relay, there are two modes of operation:

- Contact closed when there is no fault
- Contact closed when there is no fault and the drive is enabled.

Technical characteristics:

- Relay output, max. 30 VDC or 42 VAC, 1 A
- Time to close: max. 10 ms
- Time to open: max. 10 ms

Wiring diagram:



8.13.6.3 STO Status Outputs (X15A, X24)

NOTE

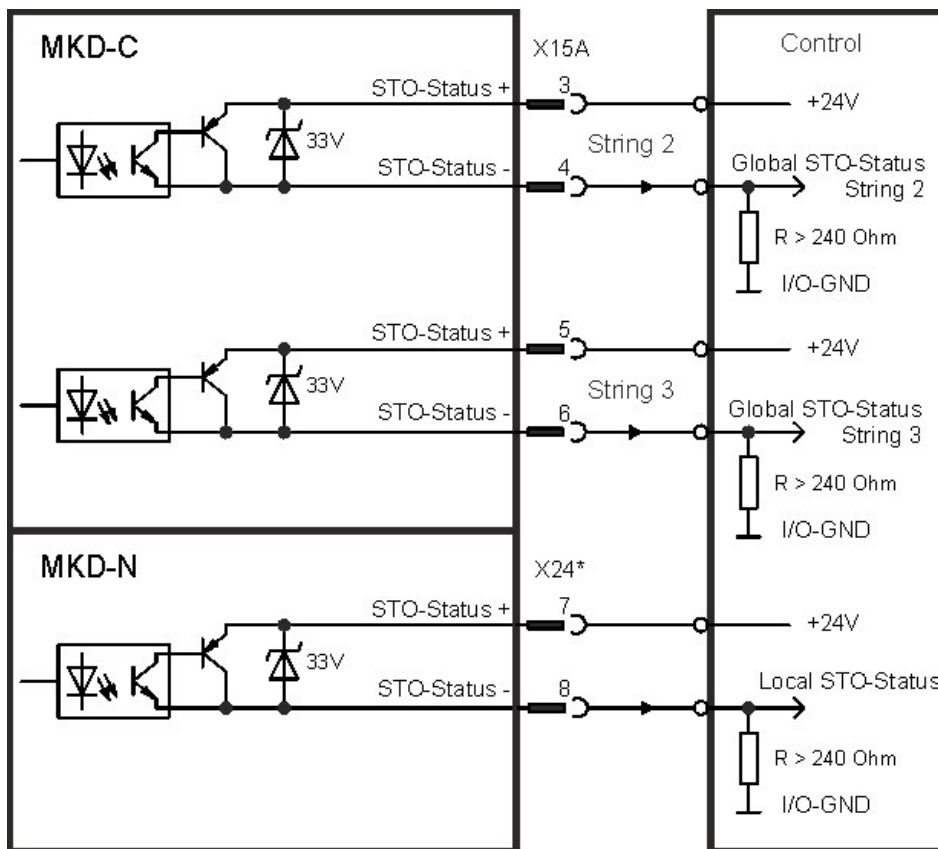
STO Status signals can be used for information only. The signals should not be used for functional safe operations.

For detailed description of STO functionality refer to (→ # 104).

Technical characteristics:

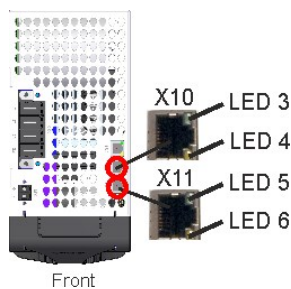
- As per IEC61131-2 type 1
- Floating, max. 30 VDC, 100 mA
- Short circuit proof
- Galvanic isolation for 250 VDC
- Can be wired as sink or source (current sourcing in the example below)
- Update rate: 250 µs

Wiring diagram:



* On MKD-N connector X24A is used for axis 1, X24B is used for axis 2 if built-in.

8.14 Motion Bus Interface (X10/X11)



The motion bus interface has RJ45 connectors and can be used for communication with the EtherCAT master and other MKD-C.

NOTICE

Do not connect the Ethernet line for the PC or PAC via WorkBench to the motion bus interface X10/X11. The setup Ethernet cable must be connected to X18.

The communication status is indicated by the built-in connector LEDs.

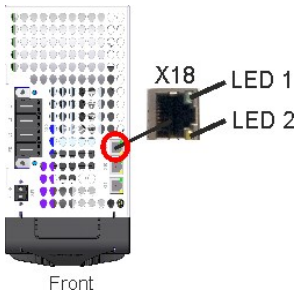
Connector	LED#	Name	Function
X10	LED3	Link	ON = active, OFF= not active
	LED4	-	-
X11	LED5	Link	ON = active, OFF = not active
	LED6	-	-

8.14.1 Pinout

Pin	Signal X10	Signal X11
1	Transmit +	Receive+
2	Transmit -	Receive-
3	Receive+	Transmit +
4, 5	n.c.	n.c.
6	Receive-	Transmit -
7, 8	n.c.	n.c.

8.14.2 EtherCAT

MKD-C can be connected as slaves to the EtherCAT network (CoE) via RJ45 connectors X10 (in port) and X11 (out port).

8.15 Service Interface (X18)

Operating, position control, and motion-block parameters can be set up with WorkBench on an ordinary commercial PC (→ # 123).

Connect the service interface X18 to an Ethernet interface on the PC directly or via a network switch. The cable can be connected/disconnected to/from X18 with power on.

NOTE

The X18 service port of an MKD-C does **not** allow access to MKD-N drives connected to another MKD-C devices.

Confirm that the link LED on the MKD-C (the green LED on the RJ45 connector) and on your PC (or network switch) are both illuminated. If both lights are illuminated, then you have a good electrical connection.

LED#	Name	Function
LED1	Link	ON = active, OFF= not active
LED2	Activity	ON = running, OFF = not running

8.15.1 Pinout

Pin	Signal	Pin	Signal
1	Transmit +	5	n.c.

Pin	Signal	Pin	Signal
2	Transmit -	6	Receive-
3	Receive+	7	n.c.
4	n.c.	8	n.c.

8.15.2 Service Bus Protocols

Protocol	Type
Ethernet TCP/IP	Service Bus, 100 Mbit/s

NOTE

Network hubs and transfer rate of 10 Mbit/s are not supported.

9 Functional Safety

Valid for MKD Hardware Revision B.

9.1 STO (Safe Torque Off)	104
9.2 Brake interruption contact	116

9.1 STO (Safe Torque Off)

9.1.1 STO Safety instructions



! WARNING No Brake Power!

Serious injury could result when a suspended load is not properly blocked. The drive cannot hold a vertical load (e.g. crane) when STO is active.

- Add a safe mechanical blocking (for instance, a motor-holding brake).
- The drives have not to be used for driving elevators.



! WARNING Automatic Restart!

Risk of death or serious injury for humans working in the machine. The drive might restart automatically after power on, voltage dip or interruption of the supply voltage, depending on the parameter setting. If parameter DRV.ENDEFAULT for one MKD-N or AKD-N is set to 1,

- then place a warning sign ("WARNING: Possible Automatic Restart" or similar) to the machine.
- Ensure, that power on is not possible, while humans are in a dangerous zone of the machine.
- In case of using an undervoltage protection device, you must observe EN 60204-1
- Based on the standards according to EN60204-1 or EN 13849-1, you must implement a restart interlock. The design and execution depends on the respective risk assessment of the application and its safety level as well as safety rating.



! CAUTION High electrical voltage!

Risk of electrical shock! The STO function does not provide an electrical separation from the power output. If access to the motor power terminals is necessary,

- disconnect the drive from mains supply,
- consider the discharging time of the DC-Bus link.

NOTICE

If the safety function STO is automatically activated by a control system, then make sure that the output of the control is monitored for possible malfunction. The monitoring can be used to prevent a faulty output from unintentionally activating the STO function.

NOTICE

It is not possible to perform a controlled brake if the drive controlled STO is off. If controlled braking before the use of the STO function is necessary, the drive must be braked and the STO input must be disconnected from +24 V time-delayed.

NOTICE

In case of a specific double fault within a very short time a single movement of a maximum angle of 120° (electrical) can happen. This effect can only happen if the drive is in the function STO. Even if the STO function will be issued for a whole year, this event will only happen every 100 Billion years.

NOTE

The STO Status signals are informal and not relevant for functional safety.

9.1.2 Use as directed

The STO function is exclusively intended to provide a functional safe torque off of the motion system. To achieve this functional safety, the wiring of the safety circuits must meet the safety requirements of IEC 60204, ISO 12100 and ISO 13849.

STO inputs must be connected to the exit of a safety control or a safety relay, which at least meets the requirements of PLd, CAT 3 according to ISO 13849.

The 24 VDC supply unit for global and local STO supply must accord to PELV (EN 60204-1) requirements and must not be used for drive power supply.

9.1.3 Prohibited use

The STO function must not be used if the drive is to be made inactive for these reasons:

- Cleaning, maintenance and repair operations, long inoperative periods. In such cases, the entire system should be disconnected from the supply and secured (main switch).
- Emergency-Off situations. In an Emergency-Off situation, the main contactor is switched off (by the Emergency-Off button).

Wiring the system with hybrid cables from other manufacturers than Kollmorgen is not allowed. Changing cables or connectors is not allowed.

MKD-N have not to be used for driving elevators.

Do not use STO Status signals for functional safety.

9.1.4 Enclosure, wiring

Ambient conditions

For MKD-C/N observe the required ambient conditions as described in chapter (→ # 33).

The MKD-C/N (IP 20) must be mounted in an IP54 cabinet to ensure pollution level 2 according to IEC 60664-1. Connector X16/X26 (STO signals) ensures requirements of pollution level 3 according to IEC 60664-1.

For AKD-N refer to the ambient conditions described in the *AKD-N Installation Manual*. The AKD-N can be used in an environment that requires IP67 devices.

Wiring inside the cabinet

Wiring remaining must meet the requirements of the standard IEC 60204-1. In compliance with the safety standard ISO 13849-2 Table D.4; short-circuits between conductors or of any conductor to an exposed conductive part can be excluded when:

- permanently connected (fixed) and protected against external damage, e. g. by cable ducting, armouring, or
- within separate multicore cables, or
- within the IP54 electrical enclosure, or
- individually shielded with earth connection.

This is valid for the STO wiring of MKD-C and MKD-N.

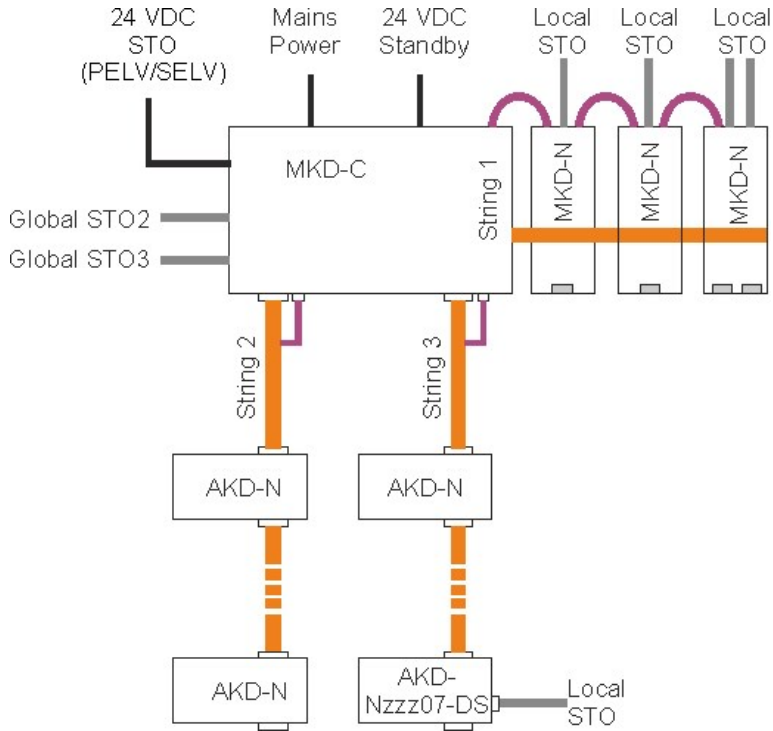
Wiring outside the cabinet

If you are wiring leads that are outside the specified enclosure (IP54), the cables must be laid durably (firmly), protected from outside damage (for example, by laying the cable in a duct), placed in different sheathed cables, or protected individually by grounding connection.

Maximum cable length

Maximum cable length for safety relevant I/Os and for the 24 V supply (PELV) is 30 m.

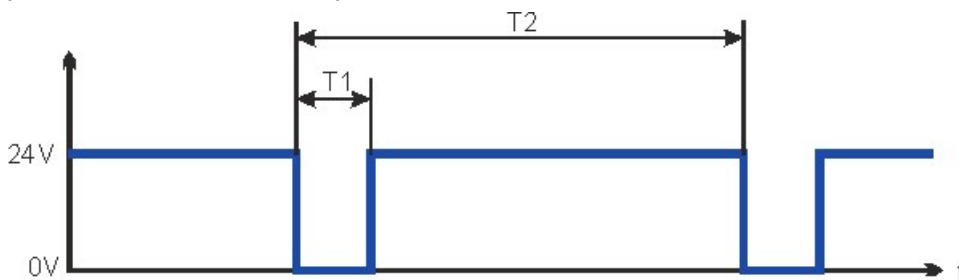
9.1.5 Topology overview



- MKD-C connector X16:
 - global STO (String 2/3) inputs of the system powered by this MKD-C.
- MKD-C connector X15A:
 - global STO (String 2/3) status output of the system powered by this MKD-C.
- MKD-N connector X26:
 - local STO (axis 1 and axis 2 if built-in) input of the drive module.
- AKD-N connectors X3/X6:
 - local STO input (X6) and status output (X3) of the AKD-N-DS/DT drive modules.

9.1.6 OSSD test pulses

Safety controllers usually check their outputs periodically during the normal operation. These test procedures create pulses to the STO-Enable inputs.



Test pulses with $T1 \leq 300 \mu s$ and $T2 \geq 200 ms$ will not have any influence to the safety relevant STO function. Test pulses, which are outside of this specification, will switch the STO function, but will not create a dangerous situation.

9.1.7 STO 24 VDC voltage supply

Use a PELV power supply for both global and local STO 24V DC supply.

STO 24 VDC supply	<ul style="list-style-type: none"> •PELV acc. to EN 60204-1 •Output 24 VDC +/-10% •Maximum 4.2 A with 42 drive axes •Do not use for power stand by functionality
-------------------	--

9.1.8 Safety characteristic data

The STO safety implementation on the MKD-C, MKD-N and AKD-N is certified. The safety circuit implementation used for the safety function "Safe Torque Off" in the drive is suited for SIL 2 according to IEC 62061 and PLd / CAT3 according to ISO 13849-1.

Resulting Functional Safety classification (SIL and/or PL level) must be calculated across the drive system.

Safe Torque Off (STO) string type (global)

Structure	STO	ISO 13849-1	MTTF _d	IEC 62061	PFH [1/h]	SFF [%]	T _M [Years]
MKD-C + 1 x AKD-N	global	PL d, CAT 3	≥ 100	SIL 2	1.86E-08	94.2	20
MKD-C+ 14 x AKD-N	global	PL d, CAT 3	≥ 100	SIL 2	1.86E-08	94.2	20
MKD-C + 14 AKD-N (String 2) + 14 AKD-N (String 3)	global	PL d, CAT 3	≥ 100	SIL 2	3.72E-08	94.2	20

Safe Torque Off (STO) local drive type (local)

Structure	STO	ISO 13849-1	MTTF _d	IEC 62061	PFH [1/h]	SFF [%]	T _M [Years]
14 x MKD-N (single axis)	local	PL d, CAT 3	≥ 100	SIL 2	3.97E-07	98.3	20
14 x MKD-N (dual-axis)	local	PL d, CAT 3	≥ 100	SIL 2	5.88E-07	98.3	20
28 x MKD-N (single axis)	local	PL d, CAT 3	≥ 100	SIL 2	7.94E-07	98.3	20
MKD-C + 1 x AKD-N-DS/DT	local	PL d, CAT 3	≥ 100	SIL 2	2.9E-08	95.9	20
MKD-C + 14 x AKD-N-DS/DT	local	PL d, CAT 3	≥ 100	SIL 2	4.12E-07	95.9	20

9.1.9 Response Time

Local STO (MKD-N)

The delay from falling edge at local STO Enable input until energy supply to the motor is interrupted is maximum 10 ms.

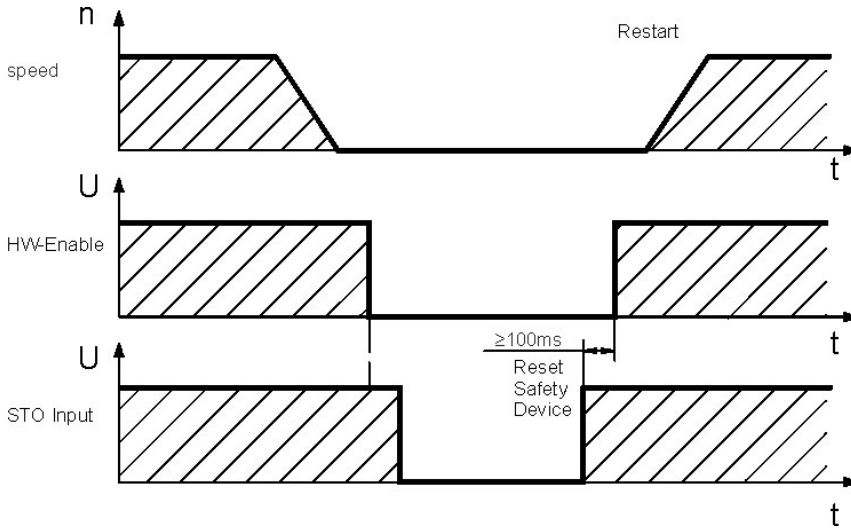
Global STO (Strings 2/3, AKD-N)

The delay from falling edge at global STO Enable input until energy supply to the motors is interrupted, depends on the number of connected MKD-N to the string. Maximum reaction time is 10 ms. The more MKD-N are connected to the string, the shorter is the reaction time.

9.1.10 Signal diagram (sequence)

The diagram below shows how to use global STO function for a safe drive stop and fault free operation of the drives connected to one of the strings.

1. Brake the drives in a controlled manner (speed setpoint = 0 V).
2. When speed = 0 rpm, disable the drives (Enable = 0 V).
3. Activate the STO function (STO input = 0 V)
4. For restart you must reset the safety device.



Based on the standards according to EN60204-1 or EN 13849-1, you must implement a restart interlock. The design and execution depends on the respective risk assessment of the application and its safety level as well as safety rating.

9.1.11 Global Safe Torque Off (Strings 2 or 3)

9.1.11.1 General information (global STO)

NOTE

The global STO function uses the following devices: MKD-C, AKD-N without option "DS" or "DT", Kollmorgen hybrid connection string cable.

There is one STO input and one STO-Status output for every DC Power string.

The string STO input release the power output stage of all AKD-N (without option DS/DT) connected to the string as long as a 24 V signal is applied to this input. If the STO-Enable goes open-circuit, then power will no longer be supplied to the connected motors, and the drives will lose all torque and coast to a stop.

NOTE

In case of using AKD-N with option "DS" or "DT" (local STO input), the global STO signal will have no influence to these specific drives.

NOTE

In case of using more than 8 AKD-N with Hardware Revision A or B in one string, you must connect a signal buffer to the STO signal.

- Hardware Revision A or B: maximum 8 AKD-N
- Hardware Revision A or B with signal buffer: maximum 14 AKD-N
- Hardware Revision C: maximum 14 AKD-N

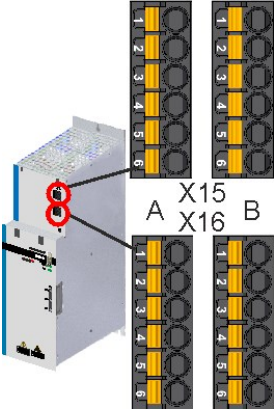
9.1.11.2 Technical data and connection (global STO)

NOTE

The global STO inputs are not compatible with IEC 61131-2. Connector X16 ensures requirements of pollution level 3 according to IEC 60664-1.

STO String X inputs	<ul style="list-style-type: none"> •ON: 18 VDC to 30 VDC, MKD-C with one AKD-N 80 mA, every additional AKD-N + 25 mA •OFF: 0 VDC to 12 VDC, < 50 mA <ul style="list-style-type: none"> •Immunity 60 VDC •Galvanic isolation for 250 VDC
STO-Status outputs	<ul style="list-style-type: none"> •As per IEC61131-2 type 1 <ul style="list-style-type: none"> •Max. 30 VDC, 100 mA •Galvanic isolation for 250 VDC
STO 24 VDC supply	<ul style="list-style-type: none"> •PELV acc. to EN 60204-1 <ul style="list-style-type: none"> •Output 24 VDC +/-10% •Maximum 4.2 A with 42 drive axes •Do not use for power stand by functionality

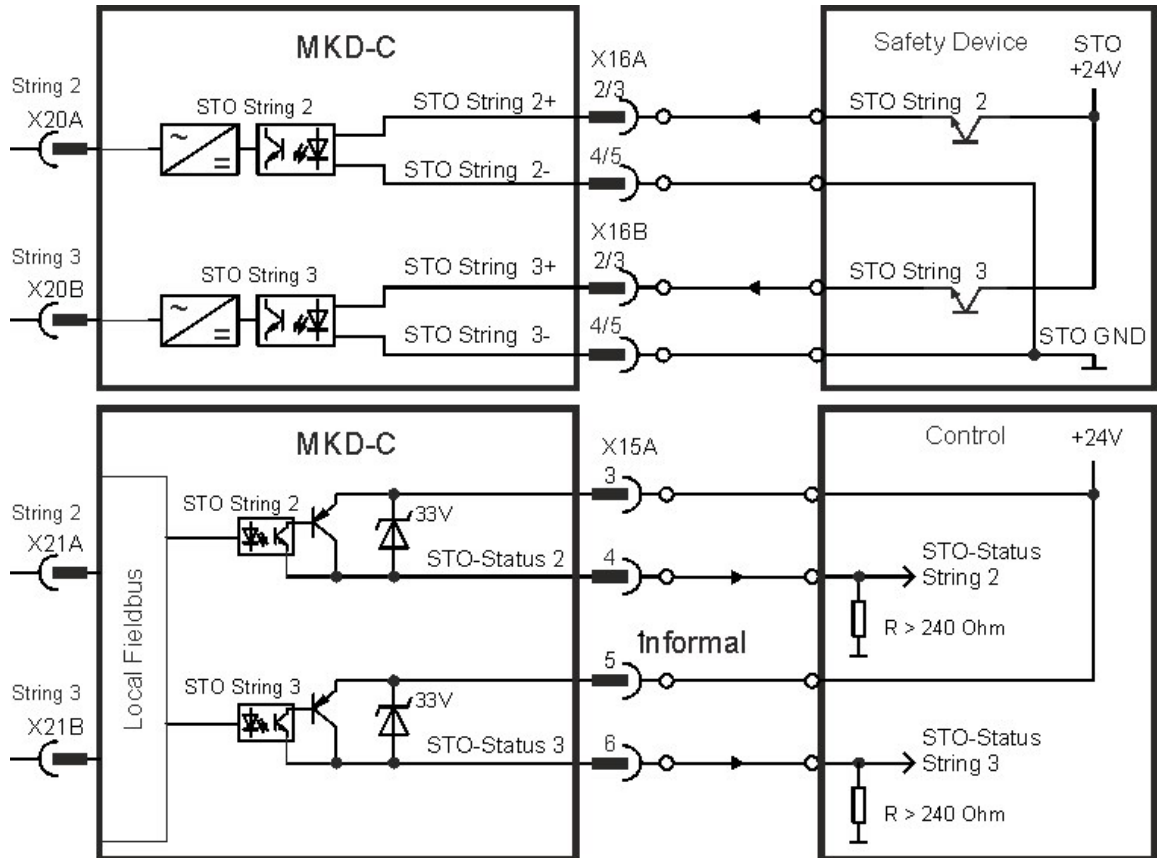
Pinout connector STO signals



X15 A	Outputs	X16 A	Inputs String 2	X16 B	Inputs String 3
1	Relay +	1	STO +24 V	1	STO +24 V
2	Relay -	2	STO String 2+	2	STO String 3+
3	STO-Status 2+	3		3	
4	STO-Status 2-	4	STO String 2-	4	STO String 3-
5	STO-Status 3+	5		5	
6	STO-Status 3-	6	STO GND	6	STO GND

Wiring diagram STO Signals, example

Environment notes and wiring requirements: (→ # 105).

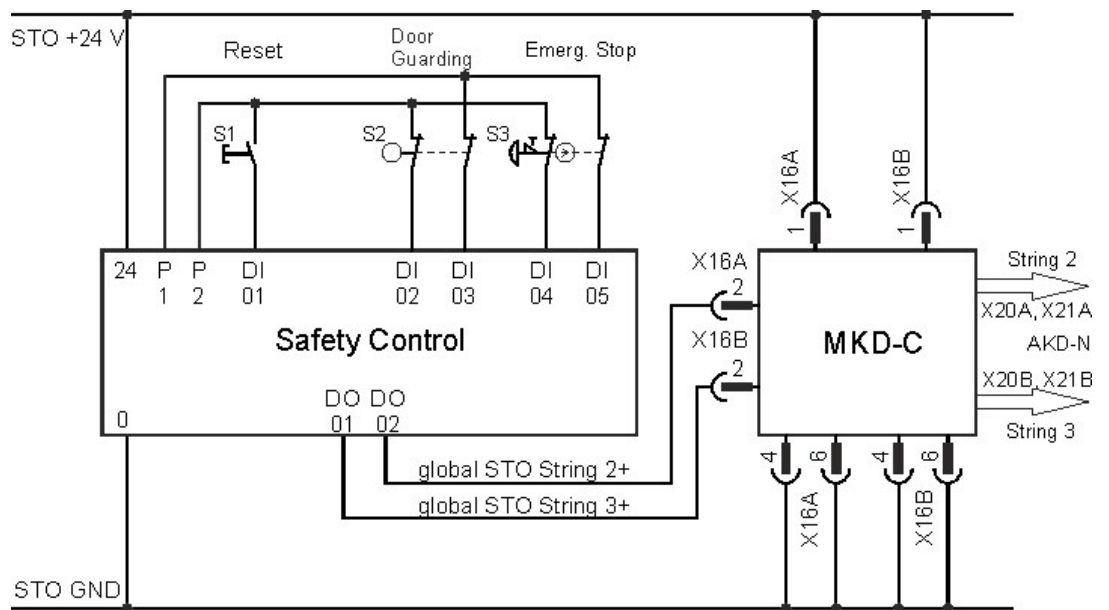


9.1.11.3 Application example (global STO)

The sample application below shows door guarding and emergency stop, controlled by a safety control to switch the global STO inputs of an MKD-C device to SIL2, PLd. Both drive strings are switched independently.

NOTE

Kollmorgen KSM modules cannot be used.
Environment notes and wiring requirements: (→ # 105).



9.1.11.4 Functional description (global STO)

There is one STO input and one STO-Status output for each string. The string STO input releases the power output stage of all AKD-N (without option "DS" or "DT") connected to the string as long as a 24 VDC signal is applied to this input. When STO function is engaged during operation by separating STO from 24 V, the drives (without option DS/DT) connected to the string slow down without control.

When the global STO function (Safe Torque Off) is not needed, then the inputs STO inputs must be connected directly to +24 VDC. The function is then bypassed and cannot be used in the machinery safety concept.

NOTE

In case of using an AKD-N with option "DS" or "DT" (local STO input) in the string, then the string STO signal will have no influence to this specific drive. The local STO-Status of this drive nevertheless is monitored in the string STO-Status.

NOTE

The string STO-Status output at the MKD-C is a logical OR of all STO-Status of the AKD-N drives connected to that respective string.

STO-Status is high:

- during system boot (power up), or
- if the string STO input is 0V, or
- if the communication with one of the connected drives is lost, or
- if no drive is connected to the string, or
- if the local fieldbus doesn't work.

Possible states of the drives connected to the string referring to the global STO function:

String STO	String HW Enable	String STO-Status	Safety acc. to SIL2	AKD-N on the String can produce Torque
0 V	no	high	yes	no
0 V	yes	high	yes	no
+24 V	no	low	no	no
+24 V	yes	low	no	yes

NOTICE

Use the following functional sequence when the STO function is used:

1. Brake the drives in a controlled manner (speed setpoint = 0 V).
2. When drives speed = 0 rpm, disable the string (enable = 0 V).
3. If a suspended load is present, block the drive mechanically.
4. Activate the STO function.

NOTE

It is not possible to perform a controlled brake if the STO is off. If controlled braking prior to the use of the STO function is necessary, the drive must be braked first and the STO input must be separated from +24 V time-delayed.

NOTE

When wiring the STO circuits within a enclosure, the cables and the enclosure must meet the requirements of IEC 60204-1. If you are wiring leads outside the specified enclosure, then the cables must be laid durably and protected from outside damage. Use Kollmorgen cables only.

9.1.11.5 Functional test (global STO)

NOTICE

You must test the safe torque off function after initial start of the drive, after each interference into the wiring of the drive, or after exchange of one or several components of the drive.

First Method:

1. Stop drives in the string with setpoint 0 V. Keep drives enabled.
DANGER: Do not enter hazardous area!
2. Activate the global STO function for example by opening protective screen of the string, where the drives are connected (voltage at STO input = 0V).
3. The MKD-C fault contact opens, the corresponding string STO-Status message changes the voltage level, the drives lose torque and slow down to zero speed without control.

Second Method:

1. Stop all drives in the string with setpoint 0 V, disable the string.
2. Activate the global STO function, for example, by opening protective screen (voltage at STO input = 0V).
3. The corresponding string STO-Status message changes the voltage level, the string cannot be enabled.

9.1.12 Local STO on MKD-N

9.1.12.1 General information (local STO)

The STO safety implementation on the MKD-N is certified. The safety circuit implementation used for the safety function "Safe Torque Off" in the drive is suited for SIL 2 according to IEC 62061 and PLd / CAT3 according to ISO 13849-1.

There is one STO input on X26 and one STO-Status output on X24 for every drive axis.

9.1.12.2 Enclosure, wiring (local STO)

NOTE

Avoid pollution of the connectors with conductive obstacles Observe the required ambient conditions as described in chapter Ambient Conditions (→ # 33).

Overall environment notes and wiring requirements: (→ # 105).

Maximum cable length for safety relevant I/Os and for the 24 V supply is 30 m.

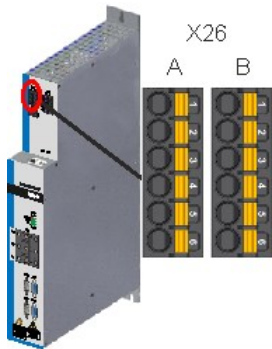
9.1.12.3 Technical data and connection (local STO)

NOTE

The local STO input is not compatible with IEC 61131-2. Connector X26 ensures requirements of pollution level 3 according to IEC 60664-1.

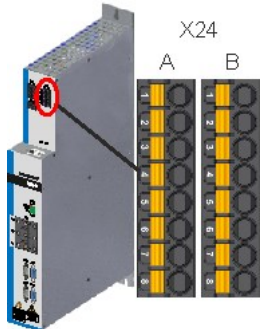
STO inputs	<ul style="list-style-type: none"> •ON: 18 VDC to 30 VDC, 80 mA •OFF: 0 VDC to 12 VDC, < 50 mA <ul style="list-style-type: none"> •Immunity for 60 VDC •Tolerated OSSD pulse duration 0.3 ms and minimum pulse duty cycle of 200 ms •Galvanic isolation for 250 VDC
STO-Status outputs	<ul style="list-style-type: none"> •As per IEC61131-2 type 1 •Max. 30 VDC, 100 mA •Galvanic isolation for 250 VDC

Pinout connector STO input signals



X26 A	Axis 1	X26 B	Axis 2
1	STO +24 V	1	STO +24 V
2	STO +	2	STO +
3		3	
4	STO -	4	STO -
5		5	
6	STO GND	6	STO GND

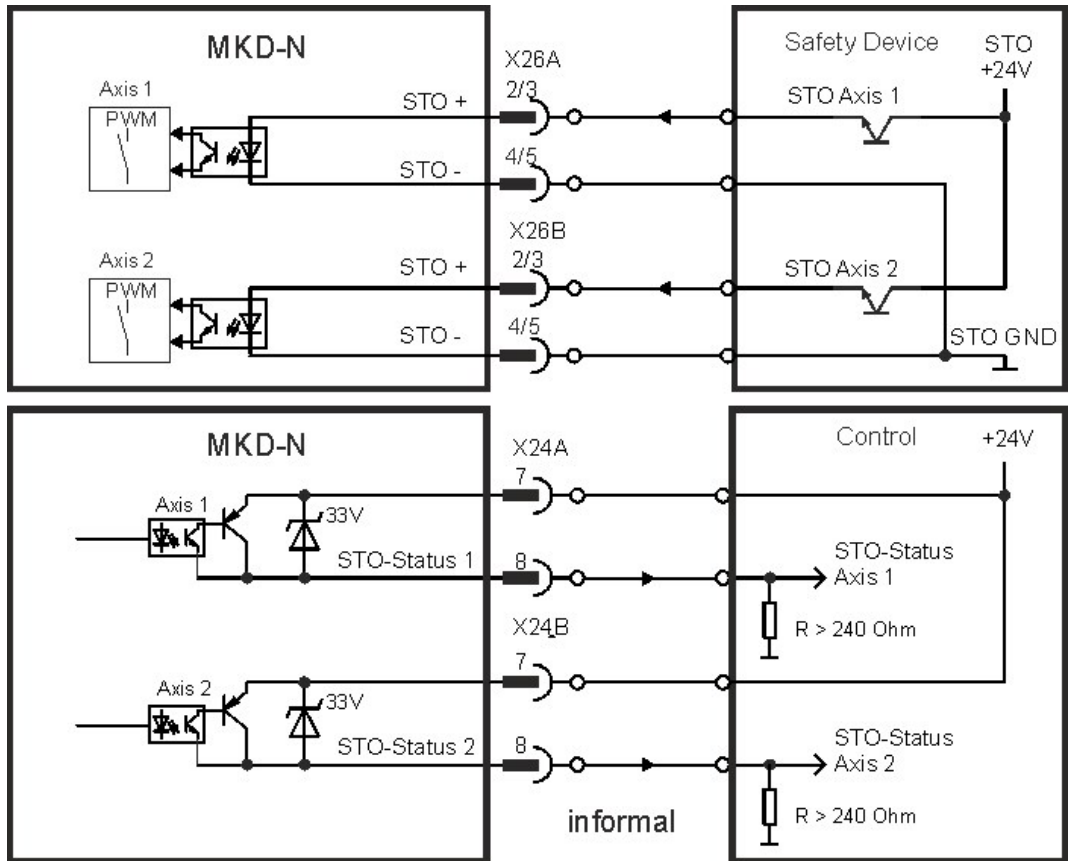
Pinout connector STO output signals



X24 A	Axis 1	X24 B	Axis 2
1...3	Digital In 1...3	1...3	Digital In 1...3
4	DCOM	4	DCOM
5...6	Digital Out	5...6	Digital Out
7	STO-Status +	7	STO-Status +
8	STO-Status -	8	STO-Status -

Wiring diagram STO Signals, example

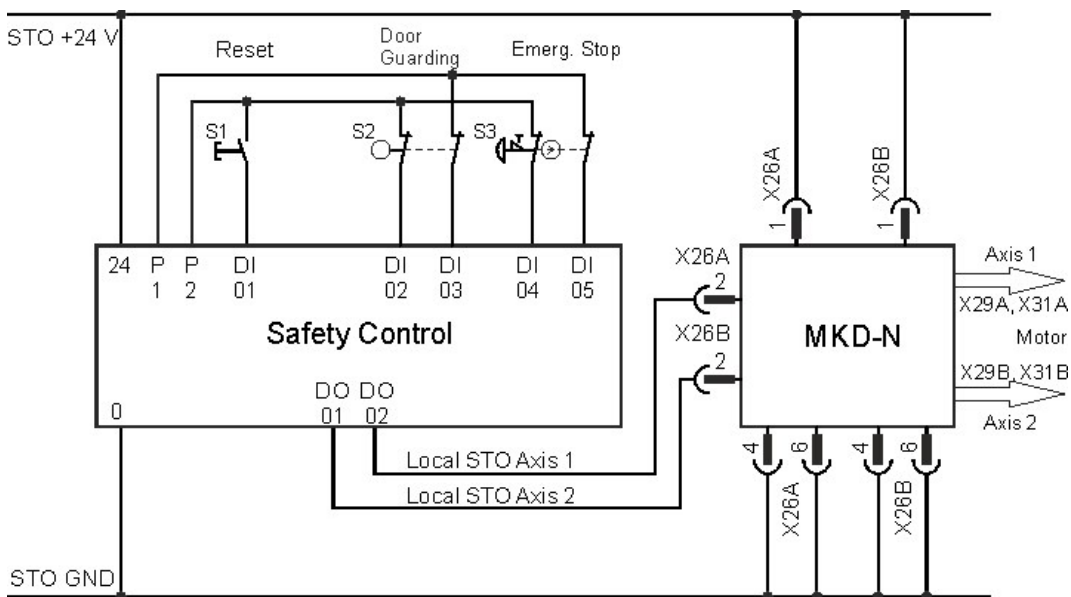
Environment notes and wiring requirements: (→ # 105).



9.1.12.4 Application example (local STO)

The sample application below shows door guarding and emergency stop, controlled by a safety control to switch the local STO inputs of a dual-axis MKD-N drive module to SIL2, PLd. Both axes strings are switched independently.

NOTE Kollmorgen KSM modules cannot be used.
Environment notes and wiring requirements: (→ # 105).



9.1.12.5 Functional description (local STO)

The STO input releases the power output stage of the drive as long as a 24 V signal is applied to this input. When the local STO function (Safe Torque Off) is not needed, then the STO inputs must be connected directly to +24 VDC. The function is then bypassed and cannot be used.

NOTE

The global STO signals have no influence to this drive. The local STO input on the MKD-N has no influence to any global STO as well.

Local STO	String HW Enable	Local STO-Status	Safety acc. to SIL2	Drive can produce Torque
0 V	no	high	yes	no
0 V	yes	high	yes	no
+24 V	no	low	no	no
+24 V	yes	low	no	yes

When STO function is engaged during operation by separating input STO-Enable from 24 V, the connected motor slows down without control.

NOTE

Local STO-Status is high:

- during module boot (power up), or
- if the communication with one of the connected drive modules is lost, or
- if no drive is connected to the string, or
- if the local fieldbus doesn't work.

NOTICE

Use the following functional sequence when the STO function is used:

1. Brake the drive in a controlled manner (speed setpoint = 0 V).
2. When speed = 0 rpm, disable the drive (enable = 0 V).
3. If a suspended load is present, block the drive mechanically.
4. Activate the STO function.

NOTE

It is not possible to perform a controlled brake if the drive STO input is off. If controlled braking prior to the use of the STO function is necessary, the drive must be braked first and the STO input must be separated from +24 V time-delayed.

9.1.12.6 Functional test (local STO)

NOTICE

You must test the safe torque off function after initial start of the drive, after each interference into the wiring of the drive, or after exchange of one or several components of the drive. For dual axis modules you must test every axis separately.

First Method:

1. Stop the drive with setpoint 0 V. Keep drive enabled.
DANGER: Do not enter hazardous area!
2. Activate the local STO function for example by opening protective screen of the drive, (voltage at input STO = 0V).
3. The drive lose torque and slows down to zero speed without control.

Second Method:

1. Stop the drive with setpoint 0 V, disable drive.
2. Activate the STO function, for example, by opening protective screen (voltage at input STO = 0V)
3. The drive cannot be enabled.

9.1.13 Local STO on AKD-N

9.1.13.1 General information

The STO safety implementation on the AKD-N is certified. The safety circuit implementation used for the safety function "Safe Torque Off" in the drive is suited for SIL 2 according to IEC 62061 and PLd / CAT3 according to ISO

13849-1.

NOTE

In case of using an AKD-N with option "DS" or "DT" (local STO input), the global STO signal will have not influence to this specific drive. The local STO input on the AKD-N and MKD-N have no influence to the global STO as well. The local AKD-N STO functionality is described in the AKD-N installation manual.

Refer to the *AKD-N Installation Manual* for full information.

9.2 Brake interruption contact

9.2.1 General information

The brake interruption contact can be used to implement an SBC (**S**afe **B**rake **C**ontrol) functionality to the application. The X9 contact interrupts the BR+ line X29/5 (index A for axis 1, index B for axis 2). To achieve a SIL2 / PLd for the SBC functionality, you have to use a qualified external 24 V safety relay. The safety relay must be controlled by a safety controller (→ # 117).

NOTE

The user who implements the SBC function must test the brake function regularly, for example with a standardized SBT.

Resulting classification (SIL and/or PL level) for SBC must be calculated across the drive system. Component quality selection for logic and brake depends on the objectives to be achieved for PL and SIL. This must be determined and implemented by the user.

Safety PLC + Safety Relay	MTTFd Values	
	MKD-N	Motor-Brake
Manufacturer data	MTTFd = infinite, because no error possible due to fault exclusions. Can be neglected in the totals calculation.	Manufacturer data

9.2.2 Safety instructions



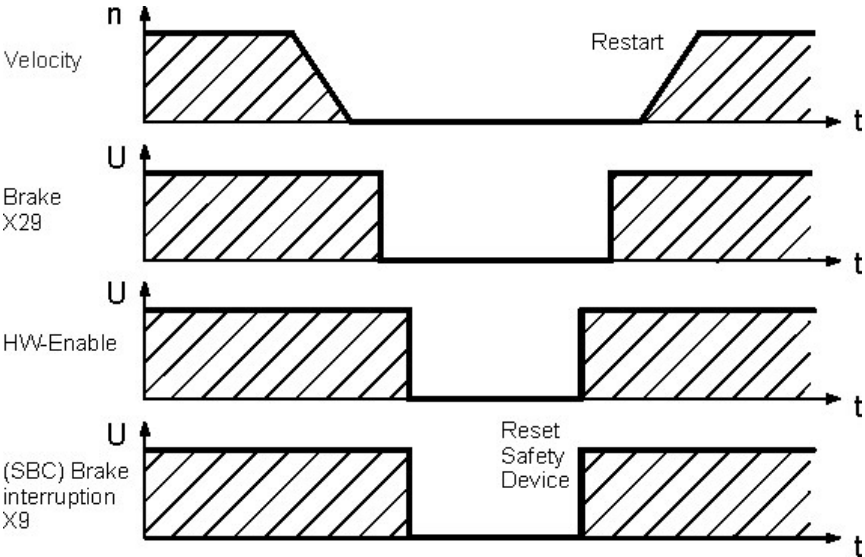
CAUTION Cranes, suspended load!

Serious injury could result when a suspended load is not properly blocked. Functional safety requires a mechanical brake, operated by a safety controller.

- Add a safe mechanical blocking (for instance, a motor-holding brake) and connect it to X29 (→ # 117).
- Set parameter MOTOR.BRAKEIMM to 1 with vertical axes, to apply the motor holding brake immediately after faults or Hardware Disable.
- Switch the brake interruption contact by a safety controller via a safety relay.
- Ensure that the jumper is removed (→ # 117).
- Test the brake function regularly, for example with a standardized SBT.

9.2.3 Signal diagram (sequence)

Fault F305 will be activated, if the sequence requirements given below are not fulfilled.



9.2.4 Enclosure, wiring

NOTE

Avoid pollution of the connectors with conductive obstacles. Observe the required ambient conditions as described in chapter Ambient Conditions (→ # 33).

- To avoid failures for wiring in cabinet: failure exclusion of DIN EN 13849.
- To avoid failures for wiring from drive to motor: use a shielded cable.

The cables must be laid durably (firmly), protected from outside damage (for example, by laying the cable in a duct), placed in different sheathed cables, or protected individually by grounding connection. Wiring must meet the requirements of the standard IEC 60204-1.

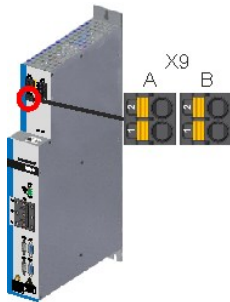
Maximum cable length for safety relevant I/Os is 30 m.

9.2.5 Technical data and connection

NOTE

- If the brake interruption contact is not used, it must be closed by a jumper. Use cable with minimum 0.5 mm² cross section to jumper pins X9A/1-2 and X9B/1-2.
- Connector X9 ensures requirements of pollution level 3 according to IEC 60664-1.
- The Safety Relay contacts must be able to switch min. 2.5A, 24V +/- 10%
- Ensure that the jumper is removed, if you want to connect the external safety device.

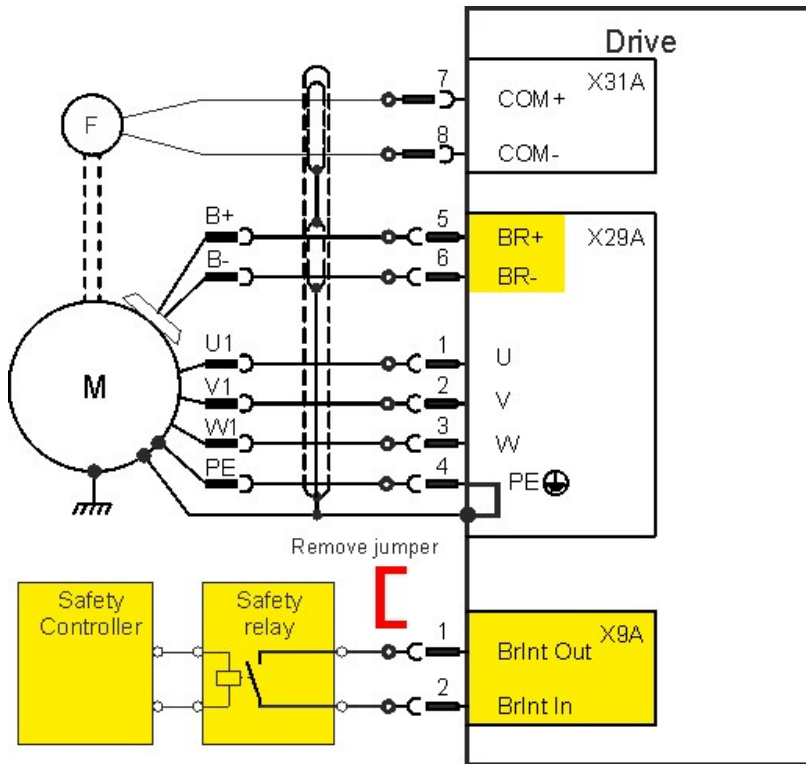
Pinout connector X9



X9 A	Axis 1	X9 B	Axis 2
1	BrInt Out	1	BrInt Out
2	BrInt In	2	BrInt In

Wiring Example for axis 1

Environment notes and wiring requirements: (→ # 116).



10 Setup

10.1	Important Notes	120
10.2	Guide to setup	121
10.3	WorkBench Installation	122
10.4	Initial System Test	124

10.1 Important Notes

NOTICE

Before testing and setup, the manufacturer of the machine must generate a risk assessment for the machine and take appropriate measures so that unforeseen movements cannot cause injury or damage to any person or property.

NOTICE

Only professional personnel with extensive knowledge in the fields of electrical engineering and drive technology are allowed to test and set up the drive.



DANGER Lethal Voltage!

There is a danger of serious personal injury or death by electrical shock. Lethal danger exists at live parts of the device.

- Built-in protection measures such as insulation or shielding may not be removed.
- Work on the electrical installation may only be performed by trained and qualified personnel, in compliance with the regulations for safety at work, and only with switched off mains supply, and secured against restart.
- In normal operation, the cabinet door must be closed and the device must not be touched.



WARNING Automatic Start!

Risk of death or serious injury for humans working in the machine. The drive might restart automatically after power on, depending on the parameter setting. If parameter DRV.ENDEFAULT for one drive axis connected to one of the strings is set to 1,

- then place a warning sign to the machine (Warning: Automatic Restart at Power On) and
- ensure, that power on is not possible, while humans are in a dangerous zone of the machine.



CAUTION High Temperature!

Risk of minor burns. The heat sink of the AKD-N drives can reach temperatures up to 80°C in operation.

- Check the heat sink temperature before handling the drive.
- Wait until the heat sink has cooled down to 40°C before touching it.



CAUTION High Noise Pollution!

Risk of damage to the hearing. Fans generate noise of up to 90 dBA when operating at maximum load.

- Keep the cabinet doors closed during operation.
- Use ear protection if the control cabinet has to be opened during normal operation.

NOTICE

If the MKD-C has been stored for more than 1 year, you must re-form the capacitors in the DC bus link circuit. Re-forming procedures are described in the Kollmorgen Developer Network ([Forming](#)).

NOTE

Additional information on setting up the equipment:

- Programming parameters and control loop behavior are described in the WorkBench online help.
- Kollmorgen can provide training courses for the drive upon request.

10.2 Guide to setup

Presumptions for the setup:

1. The drive is properly mounted (→ # 46).
2. Protective earth is connected (→ # 55).
3. Mains supply voltage is connected (→ # 75).
4. Auxiliary supply voltage is connected (→ # 76).
5. String cables are connected (→ # 77).
6. Safety Controller and PLC I/Os are connected (→ # 92).
7. EtherCAT Master is connected (→ # 100).
8. Service PC is connected (→ # 101).

10.2.1 System addresses

To tune and configure the MKD system, it is recommended to connect WorkBench to the MKD system.

The MKD system can be accessed through two different physical communication channels:

1. Ethernet Service Port (X18) on the MKD-C unit (→ # 101)
2. EtherCAT Bus In port (X10) on the MKD-C unit (→ # 100)

Both communication channels allow a single point of connect to access the MKD-C itself and all drives (MKD-N's, AKD-Ns) that are connected to this MKD-C unit.

MAC Address

The unique MKD-C MAC address is pre-defined by the manufacturer (see nameplate). Every MKD-N or AKD-N drive axis has a unique MAC address as well.

IP Address

The MKD-C service port X18 supports Auto-IP and Static IP addressing.

Auto-IP:

All network devices that are connected receive a unique IP address in the range 169.254.x.y.

To configure this, follow the next steps:

1. Set rotary switch S1 to "0" (→ # 42). Power up the the MKD-C.
2. By default, the network adapter of your windows PC that is used to connect to the MKD-C should be configured for automatic IP assignment. If automatic assignment is not default, you need to reconfigure the TCT/IP adapter:
Open Network & Internet settings -> Ethernet -> Change adapter options -> Right click on network adapter -> Select TCP/IP -> Properties -> tab General: set both entries to "automatically". Reboot the PC.
3. Connect PC network adapter with Ethernet cable point to point to MKD-C service interface (RJ45 connector X18).
4. If the link LED on X18 is green/blinking, the connection is working.
5. Wait until the network adapter has finished the AUTO-IP assignment. This can be detected by checking the 7 segment display. Once the MKD-C has received an new IP address it will be shown in the display.

Static IP:

The MKD-C IP address can be set with the S1 rotary switch (→ # 42).

WorkBench looks for IP address in the subnet to detect devices in the LAN and start communication. All connected devices must have static IP addresses. Refer to the WorkBench Online Help for more information.

EtherCAT Node Address

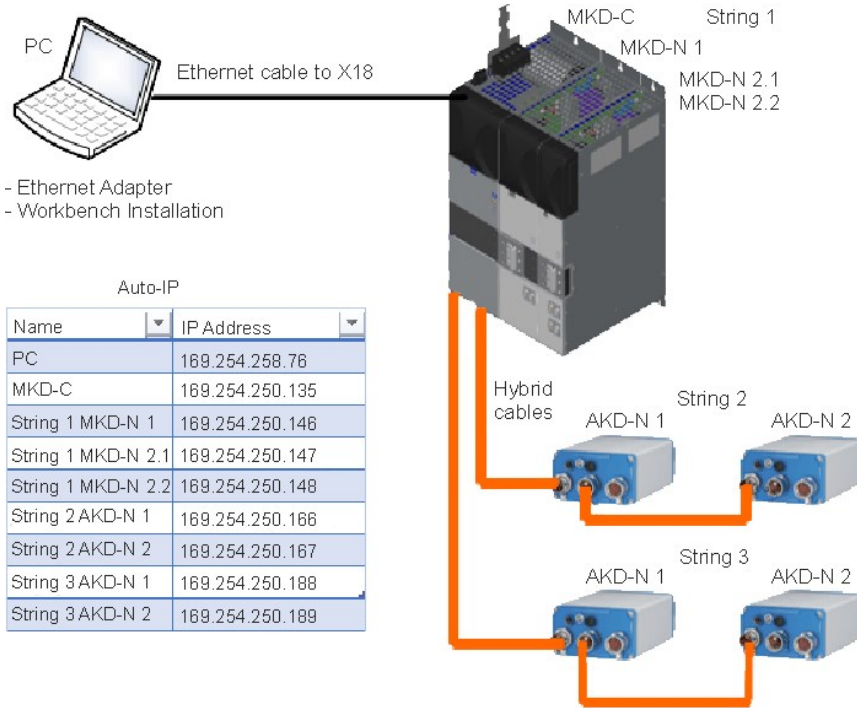
The EtherCAT node address is assigned automatically by the EtherCAT master. Refer to WorkBench Online Help and EtherCAT manual for more information.

10.2.2 System Setup

Simple access to the system can be achieved by connecting a laptop or Service PC to the MKD-C service port X18 with a standard Ethernet Patch cable. All drives that are connected to the MKD-C can be accessed via X18.

The MKD-C forwards the Ethernet packets to all connected drives and returns the response packets. Every connected axis has a unique MAC address and can be viewed as standalone Ethernet device (client).

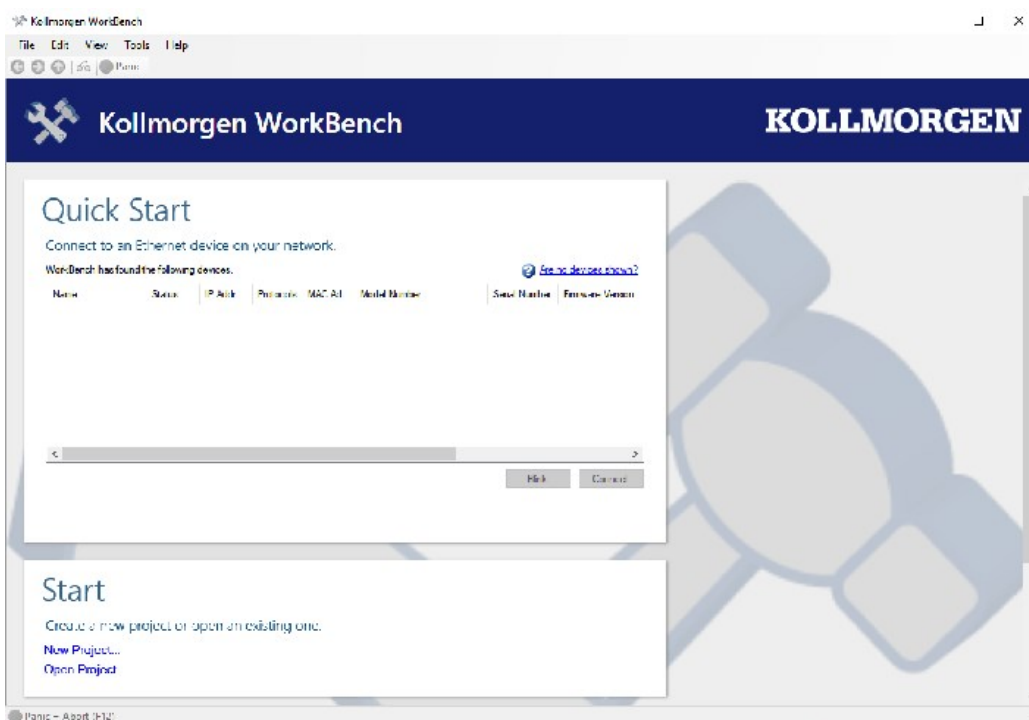
Example Auto-IP system



Refer to the WorkBench Online Help for more information.

10.3 WorkBench Installation

This chapter describes the installation of the WorkBench software for MKD-C and MKD-N drives. Kollmorgen offers training and familiarization courses on request.



10.3.1 Use as directed

WorkBench is intended to be used for altering and saving the operating parameters for the MKD and AKD series of products. The attached devices can be set up with the help of this software, and during this procedure the drive system can be controlled directly by the service functions.

Only professional personnel who have the relevant expertise (→ # 13) are permitted to carry out online parameter setting for a drive that is running. Sets of data that have been stored on data media are not safe against unintended alteration by other persons. Unexpected move could be the result if you use unchecked data. After loading a set of data you must therefore always check all parameters before enabling the drive.

10.3.2 Software description

Each device must be adapted to the requirements of your machine. For most applications, you can use a PC and WorkBench (the software to set up your drive) to set up the operating conditions and parameters. The PC is connected to the MKD-C by an Ethernet cable (→ # 101). WorkBench establishes the communication between the PC and every MKD-N or MKD-N drive connected to this MKD-C. You can find the WorkBench software in the download area of the Kollmorgen website.

NOTE

With WorkBench every drive that is connected to the same MKD-C as the PC is visible and controllable.

You can select a drive out of the list, alter parameters, and instantly observe the effect on the drive, since there is a continuous (online) connection to the drive. You can also read important actual values from the selected drive, which are displayed on the monitor of the PC (oscilloscope functions).

You can save sets of data on data media (archiving) and load them into other MKD-C or use them for backup. You can also print out the data sets.

Most standard feedbacks (SFD, EnDAT, and BiSS) are plug and play compatible. Motor nameplate data is stored in the feedback device and read by the drive automatically at startup. Non-plug and play Kollmorgen motors are stored in WorkBench and can be loaded with one-click using the Motor screen in the WorkBench software.

An extensive online help with integrated description of all variables and functions supports you in each situation.

10.3.3 Hardware requirements

The Service interface (X18, RJ45) is connected to the Ethernet interface of the PC by an Ethernet cable (→ # 101).

Minimum requirements for the PC:

Processor	min. 2 GHz
Operating system	Windows
Graphics adapter	Windows compatible, color
RAM	4 GB
Data drives	hard disk with min. 2 GB free space
Interface	one free Ethernet interface or a Switch port, 100 Mbit/s

10.3.4 Operating systems

Windows 7/8/10/11

- WorkBench works with Windows 7, 8, 10 and 11
- .Net framework 4.8.1 or higher is required
- Visual C++ Redistributable (2010, 2013, 2015)
- Internet Explorer 10 or higher

Unix, Linux

The software does not run on Unix/Linux.

10.3.5 Installation under Windows

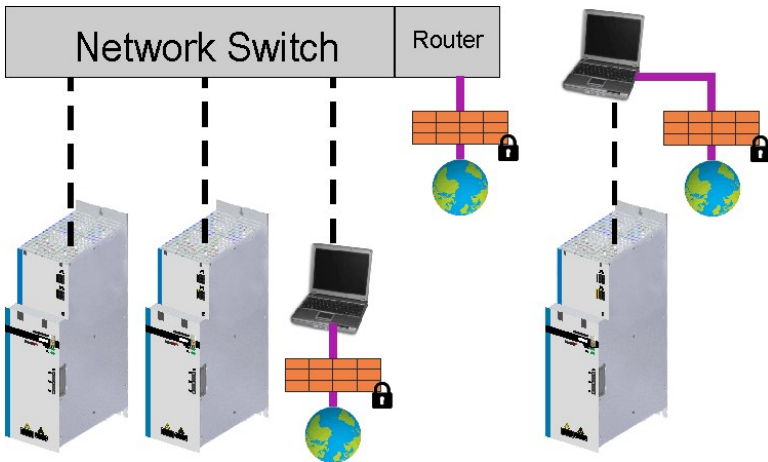
Use WorkBench to setup your drive. You can download the latest version from the Kollmorgen website: www.kollmorgen.com.

Installation

Download the installation package and follow the instructions.

Connection to the Ethernet interface of the PC

- Connect the interface cable to an Ethernet interface on your PC or to a Switch and to the service interface X18 of the MKD-C (→ # 101).



10.4 Initial System Test

1. Unpack the devices and accessories. Observe the safety instructions in the documentation.
2. Mount the devices and wire the system.
3. Validate mechanical and electrical installation.
4. Validate IP addresses
5. Make sure you have on hand the following information about the drive components:
 - rated mains supply voltage
 - motor type (motor data, if the motor type is not listed in the motor database)
 - feedback unit built into the motor (type, poles/lines/protocol)
 - moment of inertia of the load

10.4.1 Set system addresses

We suggest to use Auto-IP. Set rotary switch S1 to "0". All network devices that are connected receive a unique IP address in the range 169.254.x.y. WorkBench looks for IP addresses in the subnet to detect devices in the LAN and start communication. Refer to the WorkBench Online Help for information.

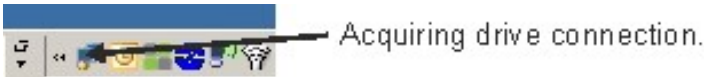
10.4.2 Confirm connections

Switch on 24 VDC logic power for the system (mains supply voltage is not needed for communications).

Confirm that the green link LED 1 on the MKD-C and on the PC are both illuminated.

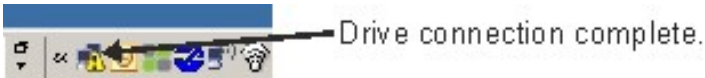


While the PC is connecting, your status bar will show the following acquiring icon:



Acquiring drive connection.

Wait for this icon to change to the limited functionality icon (this process can take up to one minute).



Drive connection complete.

Although Windows displays this limited functionality icon for the drive connection, the PC can communicate fully with the drive. Using WorkBench, you can now configure the drive through this connection.

10.4.3 Install and start WorkBench

Download WorkBench from the Kollmorgen website: www.kollmorgen.com and install the software.

Once it is installed, click the WorkBench icon to start the program.

10.4.4 Parameterize and enable the axes in WorkBench

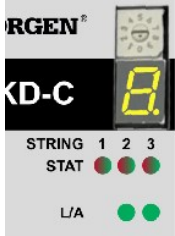
Refer to the WorkBench Online Help for information.

11 Appendix

11.1	Fault and Warning Messages	127
11.2	Troubleshooting the MKD System	133
11.3	Accessories	133
11.4	Spare Parts	138

11.1 Fault and Warning Messages

When a fault occurs, the MKD-C fault relay is opened, the output stage of the connected drive axes are switched off (motors lose all torque), or the load is dynamically braked. The specific behavior depends on the type of fault. The seven segment LED display shows the number of the fault that occurred. If a warning is issued prior to the fault, the warning is shown and has the same number as the associated fault. Warnings do not trip the power stages of the connected drive axes.



Rotary Switch

7 Segment Display

Run/Error LEDs
Link/Activity

MKD fault codes or warning codes are displayed constantly if present. Fault messages are coded with "F", warnings are coded with "n".

The LED displays the fault or warning number as follows: F-1-0-1-[break] or n-1-0-1-[break]. The highest priority fault is displayed. Multiple faults may be present when a fault condition is occurring. Check the WorkBench Fault Screen or read the status of DRV.FAULTS through the controller or HMI for the entire list of faults.

NOTICE

Eliminate errors and faults in compliance with work safety rules. Troubleshooting only by qualified and trained staff.

NOTE

More information about warnings and fault messages, causes, remedy and clearing faults can be found in the WorkBench online help.

11.1.1 MKD-C Faults

Code	Fault/Warning
F101	Firmware type mismatch.
F102	Resident firmware failed.
F103	Resident FPGA failed.
F104	Operational FPGA failed.
F105	Non-volatile memory stamp invalid.
F106	Non-volatile memory data (might occur when downloading firmware).
F125	Fieldbus synchronization frames lost.
F136	Firmware and FPGA versions are not compatible.
F201	Internal RAM failed.
F202	External RAM failed.
F203	Code Integrity failed.
F204	Control board EEPROM read failed.
F205	Control board EEPROM corrupted serial number stamp.
F206	Control board EEPROM corrupted serial number data.
F207	Control board EEPROM corrupted parameter stamp.
F208	Control board EEPROM corrupted parameter data.
F209	Power board EEPROM read failed.
F210	Power board EEPROM corrupted serial number stamp.
F212	Power board EEPROM corrupted serial number data.
F213	Power board EEPROM corrupted parameter stamp.
F214	Power board EEPROM corrupted parameter data.
F219	Control board EEPROM write failed.
F230	Power board EEPROM write failed.
F232	Power board EEPROM invalid data.
F234	Control over temperature sensor 1.
F235	Power over temperature sensor 1.

Code	Fault/Warning
F236	Power over temperature sensor 2.
F237	Power over temperature sensor 3.
F238	Power over temperature sensor 4.
F240	Control under temperature sensor 1.
F241	Power under temperature sensor 1.
F242	Power under temperature sensor 2.
F243	Power under temperature sensor 3.
F246	Power under temperature sensor 4.
F305	Brake open circuit.
F501	Bus over voltage.
F503	Bus capacitor overloaded.
F519	Regen short circuit.
F521	Regen over power.
F523	Bus over voltage FPGA.
F531	Power stage fault.
F536	Standby power supply fault.
F537	Precharge fault.
F541	AC input phase 1 missing.
F542	AC input phase 2 missing.
F543	AC input phase 3 missing.
F545	String current over peak limit.
F546	String current over continuous limit.
F561	Too many nodes connected on string 2.
F562	Too many nodes connected on string 1.
F563	Too many nodes connected on string 3.
F564	Number of connected nodes on string 1 has decreased.
F565	Number of connected nodes on string 2 has decreased.
F567	Number of connected nodes on string 3 has decreased.
F568	String 1 current over peak limit.
F569	String 2 current over peak limit.
F571	String 3 current over peak limit.
F572	String 1 current over continuous limit.
F573	String 2 current over continuous limit.
F574	String 3 current over continuous limit.
F576	String 1 desaturated.
F578	String 2 desaturated.
F579	String 3 desaturated.
F580	String 1 over current.
F581	String 2 over current.
F582	String 3 over current.
F583	Rectifier desaturated.
F584	Total string current over peak limit.
F587	All AC input phases lost while drive was enabled.
F621	Control board CRC fault.

Code	Fault/Warning
F623	Power board CRC fault.
F624	Power board watchdog fault.
F625	Power board communication fault.
F626	Power board FPGA not configured.
F627	Control board watchdog fault.
F628	Front door packet not received on string 1.
F629	Front door packet not received on string 2.
F630	FPGA cyclic read fault.
F632	Front door packet not received on string 3.
F702	Fieldbus communication lost.
F706	Fieldbus cyclic setpoints missing.

11.1.2 MKD-N and AKD-N faults

Code	Fault/Warning
F101, n101	Firmware incompatible. The FPGA is a laboratory FPGA.
F102, n102	Resident firmware failed. Operational FPGA is not a default FPGA.
F103	Resident FPGA failed.
F104	Operational FPGA failed.
F105	Non-volatile memory stamp invalid.
F106	Non-volatile memory data.
n107	Positive limit switch triggered.
n108	Negative limit switch triggered.
F120	Failed to default parameters.
F121	Homing error.
F123, n123	Invalid motion task.
F124	Cogging Compensation non volatile memory data error (CRC).
F125, n125	Fieldbus synchronization frames lost.
F126, n126	Bode plot: too much movement.
F127	Incomplete emergency procedure.
F128	MPOLES/FPOLES not integer.
F129	Fieldbus Heartbeat lost.
F130	Secondary feedback supply over current.
F131	Secondary feedback A/B line break.
F132	Secondary feedback Z line break.
F133	Fault number changed to F138.
F134	Secondary feedback illegal state.
F135, n135	Fault on feedback 2 prevents remote commutation on feedback 1.
F136	Firmware and FPGA versions are not compatible.
n137	Homing and feedback mismatch.
F138	Instability during autotune.
F139	Target position overshoot due to invalid motion task activation.
n151	Not enough distance to move; motion exception.
n152	Not enough distance to move; following motion exception.
n153	Velocity limit violation, exceeding max limit.

Code	Fault/Warning
n154	Following motion failed; check motion parameters.
n156	Target position crossed due to stop command.
n157	Homing index pulse not found.
n158	Homing reference switch not found.
n159	Failed to set motion task parameters
n160	Motion task activation failed.
n161	Homing procedure failed.
n163	MT.NUM exceeds limit.
n164	Motion task is not initialized.
n165	Motion task target position is out.
n167	SW limit switch traversed
n168	Invalid bit combination in the motion task control word.
n169	1:1 profile cannot be triggered on the fly.
n170	Customer profile table is not initialized.
n171	Motion task activation is currently pending
n174	Homing maximum distance exceeded
n179	Teaching of cogging compensation stopped before finishing.
n180	Cogging compensation not active. Axis needs to be homed first.
F201	Internal RAM failed.
F202	External RAM failed.
F203	Code integrity failed.
F204 to F232	EEPROM failure detected
F234 to F237	(n234 to n237) Temperature sensor high.
F240 to F243	(n240 to n243) Temperature sensor low.
F245	External fault.
F247	Bus voltage exceed allowed thresholds.
F248	Option board EEPROM corrupted.
F249	Option board downstream checksum.
F250	Option board upstream checksum.
F251	Option board watchdog.
F252	Firmware and option board FPGA types are not compatible.
F253	Firmware and option board FPGA versions are not compatible.
F256, n256	Analog Input, overvoltage
F257, n257	Analog Input, undervoltage
F301, n301	Motor overheated.
F302	Over speed.
F303	Run away.
F304, n304	Motor foldback.
F305	Brake open circuit.
F306	Brake short circuit.
F307	Brake applied during enable state.
F308	Voltage exceeds motor rating.
n309	Motor I ² t load.
F312	Brake released when it should be applied.

Code	Fault/Warning
F401	Failed to set feedback type.
F402	Analog signal amplitude fault.
F403	EnDat communication fault.
F404	Illegal Hall state (111, 000).
F405	BiSS watchdog fault.
F406	BiSS multicycle fault.
F407	BiSS sensor fault.
F408 to F416	SFD feedback fault.
F417	Broken wire in primary feedback.
F418	Primary feedback power supply.
F419	Encoder init procedure failed
F420	FB3 EnDat Communications Fault.
F421	SFD position sensor fault
F423	Non volatile memory failure - Extended Multiturn
F436	EnDat overheated.
F438, n438	Deviation from predicted trajectory fault.
F439, n439	Following error (magnitude).
F450	Following error (presentation).
F451, n451	Tamagawa encoder: battery.
F452	Extended multiturn not supported with this feedback.
F453 to F459	Tamagawa encoder: communication.
F460	Tamagawa encoder: over speed.
F461	Tamagawa encoder: counting Error.
F462	Tamagawa encoder: counting overflow.
F463	Tamagawa encoder: overheat.
F464	Tamagawa encoder: multiturn error.
F465	Excessive shock detected by feedback device.
F467	Feedback fault on feedback 1 (see FB1.FAULTS for details). In case of BiSS: communications.
F468	FB2.SOURCE not set, remote commutation not possible.
F469	FB1.ENCRESES is not power of two, remote commutation not possible.
F470	Feedback fault on feedback 3.
F471	Operation in Position Mode with Halls Only feedback not allowed.
F473	Wake & Shake - Insufficient movement
F475	Wake & Shake - Excess movement.
F476	Wake & Shake - Fine-coarse delta too large.
F478, n478	Wake & Shake - Over speed.
F479, n479	Wake & Shake - Loop angle delta too large.
F480	Wake & Shake - Fieldbus command velocity too high.
F481	Wake & Shake - Fieldbus command velocity too low.
F482	Wake & Shake - Commutation not initialized.
F483	Wake & Shake - Motor U phase missing.
F484	Wake & Shake - Motor V phase missing.
F485	Wake & Shake - Motor W phase missing.
F486	Input change rate exceeds maximum speed of emulated encoder.

Code	Fault/Warning
F487	Wake & Shake - Validating positive movement Failed.
F489	Wake & Shake - Validating negative movement Failed.
F490	Wake & Shake - Validating commutation angle timed out.
F491	Wake & Shake - Validating commutation angle moved too far - bad comm angle.
F492	Wake & Shake - Validating commutation angle required more than MOTOR.ICONT.
F493	Invalid commutation detected – motor accelerating in the wrong direction.
n495	Failed to process recorded cogging compensation table.
F501, n501	Bus over voltage.
F502	Bus under voltage. Warning issued prior to fault.
F503	Bus capacitor overload.
F504 to F518	Internal supply voltage fault
F519	Regen short circuit.
F521, n521	Regen over power.
F523	Bus over voltage FPGA
F524, n524	Drive foldback.
F525	Output over current.
F526	Current sensor short circuit.
F527	Iu conversor digital analógico atual preso.
F528	Iv conversor digital analógico atual preso..
F529	Iu current offset limit exceeded.
F530	Iv current offset limit exceeded.
F531	Power stage fault.
F532	Drive motor parameters setup incomplete.
F534	Failed to read motor parameters from feedback device.
F535	Power-board over-temperature fail.
F541, n541	AC input phase 1 missing.
F542, n542	AC input phase 2 missing.
F543, n543	AC input phase 3 missing.
F560	Regen near capacity, could not prevent over voltage.
F570, n570	Mains phase loss.
n580	Using derivate of position with sensorless feedback type in position mode.
n581	Zero velocity with induction sensorless feedback type in position mode.
n582	Velocity has been limited, commutation frequency max. 599 Hz to meet ECCN-3A225 / AL-3A225 limits.
F587	Loss of all AC input phases.
n601	Modbus data rate is too high.
F602	Safe torque off.
n603	OPMODE incompatible with CMDSOURCE
n604	EMUEMODE incompatible with DRV.HANDWHEELSRC.
F621	Control Board CRC fault.
F623	Power Board CRC fault.
F624	Power Board Watchdog fault.
F625	Power Board Communication fault.
F626	Power Board FPGA not configured.
F627	Control Board Watchdog fault.

Code	Fault/Warning
F630	FPGA cyclic read fault.
F631	Issue command timed out.
F701	Fieldbus runtime.
F702, n702	Fieldbus communication lost.
F703	Emergency timeout occurred while axis should disable.
F706, n706	Fieldbus cyclic setpoints missing.

11.2 Troubleshooting the MKD System

Drive problems occur for a variety of reasons, depending on the conditions in your application. The causes of faults in multi-axis systems can be very complex. If you cannot resolve a fault, Kollmorgen customer support can give you further assistance.

NOTICE

Eliminate errors and faults in compliance with work safety rules. Troubleshooting only by qualified and trained staff.

NOTE

Details on the removal of faults can be found in the WorkBench online help.

11.3 Accessories

11.3.1 Mains choke for MKD-C-NA



DANGER High Voltage up to 480 V!

Risk of electric shock.

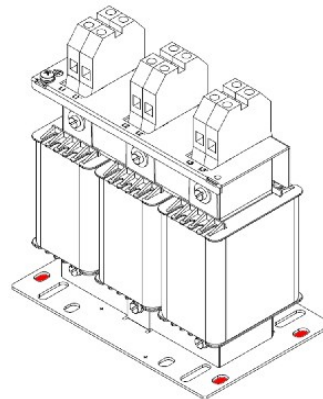
- Make sure that the cabinet is safely disconnected (for instance, with a lock-out and warning signs).
- Wait at least 5 minutes after disconnecting the drive from the main supply power before touching potentially live sections of the equipment (e.g. contacts) or undoing any connections.

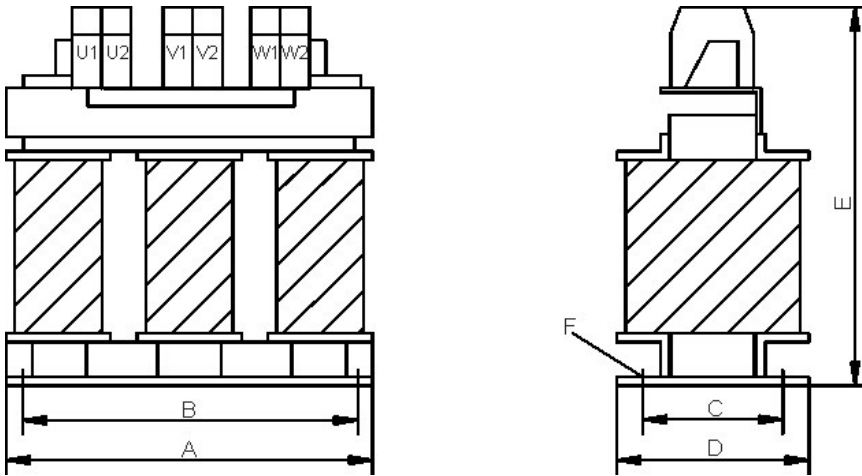
NOTICE

Due to the high earth leakage currents induced by the system, you should observe the requirements of EN 61800-5-1 (e.g. fixed installation, $\geq 10 \text{ mm}^2$ or double protective earth) when carrying out mounting and installation work. Use a shielded cable between choke and MKD-C.

Mounting: 50 mm free space required above and below the device.

Connection diagram: see (→ # 75)





Technical Data

Type	Inductivity [mH]	Nominal Current [A]	uk [%]	A [mm]	B [mm]	C [mm]	D [mm]	E [mm]	F [mm]	Terminals [mm ²]	Weight [kg]
3L 0,5-63-4	0.47	63	4	185	170	77	122	215	8x12	16	9.65

11.3.2 Regen resistors

During braking with the aid of the motor, energy is fed back into the drive. This regenerative energy is dissipated as heat in the regen resistor (also called brake resistor). The regen resistor is switched on by the regen circuit. All resistors meet the requirements of CE directives and are UL-registered.

More information to the resistors are given on KDN page "[Brake Resistor](#)".

11.3.2.1 Important notes



⚠ DANGER High Voltage up to 900 V!

Risk of electric shock. Power terminals are capable of conducting hazardous voltage up to 10 minutes after the mains voltage has been disconnected.

- Before starting work on power terminals, check that the phase-to-earth and phase-to-phase voltages have de-energised.



⚠ WARNING High Temperature!

Risk of burns. The regen resistor surface temperature can exceed 250°C.

- Measure the temperature and wait until temperature dropped down below 40°C, before touching the resistor housing.

NOTICE

Inadequate levels of cooling air or incorrect installation can lead to overheating and destruction of the resistor and surrounding components.

- May only be installed in switchgear cabinets, comply with the permissible installation types and clearances (see dimensional drawing).
- Ensure there is unobstructed convection for cooling purposes.
- Use temperature-resistant materials in the vicinity of the resistor.
- The connection terminals must never be located within the flow range of the heated waste air.

The following requirements must be met to ensure the regen resistors work properly:

- Compliance with required installation clearances
- Compliance with permissible installation type
- Unhindered access of cooling air
- Unhindered diverting of warmed up air
- Rated data with maximum ambient temperature 40°C, in case of ambient temperature higher than 40°C, power must be reduced by 4% per 10K temperature rise
- Use fusing to prevent the resistor from being overloaded (→ # 33).

Regen resistor	Device	Resis- tance [Ω]	Rated Power [W]	Max. Power [W]	Order code
BAS(U) 2000-10	MKD-C003007	10	2000	3200	DE-103874
BAS(U) 3000-10		10	3000	4800	DE-103875
BAS(U) 6000-10		10	6000	9600	DE-103876

11.3.2.2 Dimensions and Data



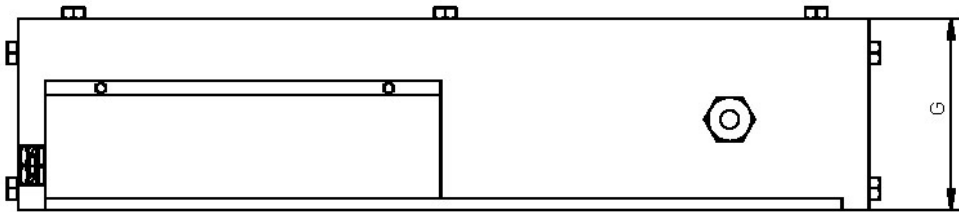
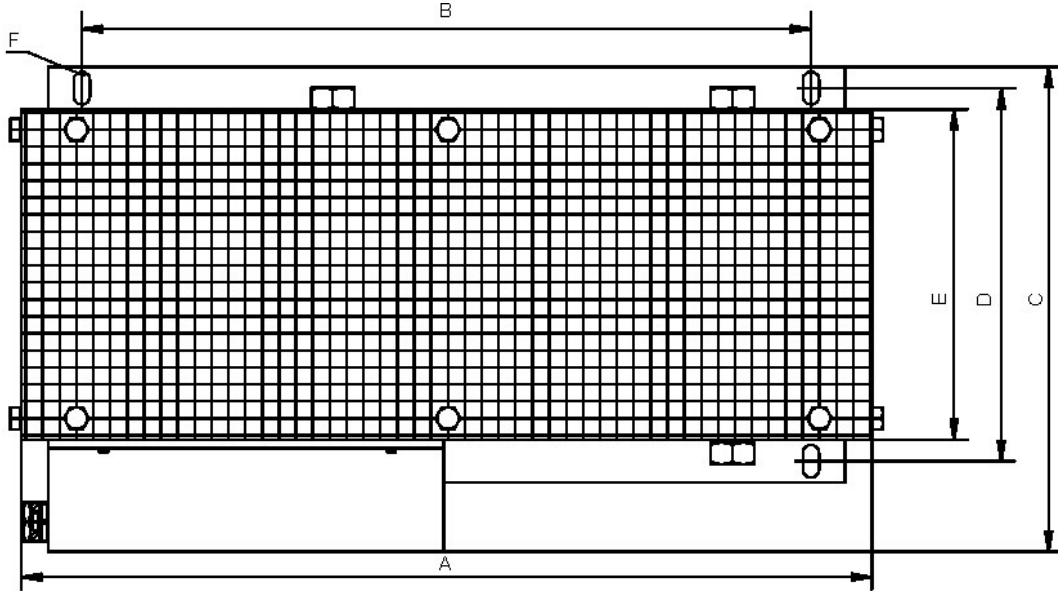
Protection class: IP20



High Temperature!

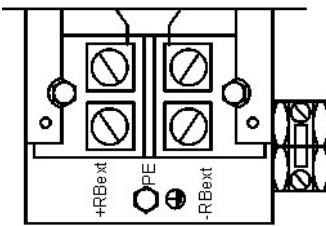
The surface temperature can exceed 250°C. Risk of burns and fire!

- Measure the temperature before touching.
- Use fusing to prevent the resistor from being overloaded (→ # 33).

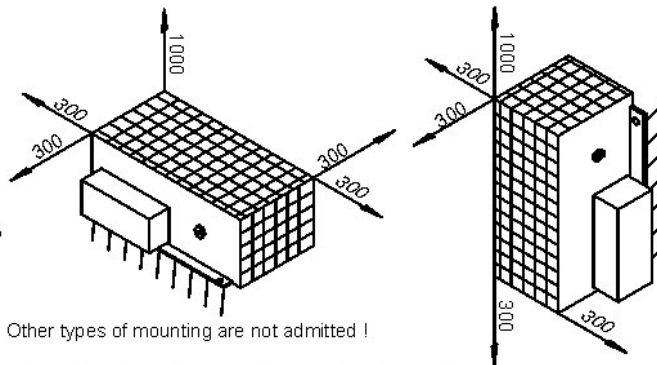


Admissible floor mounting

Admissible wall mounting
Clamps down



±10%, temperature drift approx. 1%
Cold approx. +8%, 320°C approx. -7%



Other types of mounting are not admitted !

	R	Rated power W	A	B	C	D	E	F	G	weight Kg
	Ω		mm	mm	mm	mm	mm	mm	mm	
BAS(U)2000-10	10	2000	490	380	255	170	150	∅10,5	260	7
BAS(U)3000-10	10	3000	490	380	355	270	250	∅10,5	260	8
BAS(U)6000-10	10	6000	490	380	455	370	350	∅10,5	260	11

11.3.3 Cables

11.3.3.1 Overview

Quality: z= S (static), I (intermediate to 100 m/min, 1G), D (dynamic up to 300 m/min, 2.5G)

Order codes to be followed by length definition.

Hybrid String cables

Device	Description	Device	Order code
MKD-C	String cable	AKD-N	MKC-HYB-z-AKN
AKD-N	String cable	AKD-N	AKN-HYB-z-AKN

Hybrid Motor Cables

Drive	Description	Motor	Order code
MKD-N 6A/12A	Power, Brake, SFD3 or DSL, 1.5 mm ²	AKM	MKN-GE4-z-M23
MKD-N 6A/12A	Power, Brake, SFD3 or DSL, 2.5 mm ²	AKM	MKN-GE5-z-M23
MKD-N 24A	Power, Brake, SFD3 or DSL, 4 mm ²	AKM	MKH-GE6-z-M23
AKD-N	Power, Brake, SFD3 or DSL, 1.5 mm ²	AKM	CCJNA2-015
AKD-N	Power, Brake, SFD3 or DSL, 2.5 mm ²	AKM	CCJNA2-025

Motor Power Cables

Drive	Description	Motor	Order code
MKD-N 6A / 12A	Power, 1.5 mm ²	AKM	MKN-N15-z-M23
MKD-N 6A / 12A	Power, Brake, 1.5 mm ²	AKM	MKN-B15-z-M23
MKD-N 6A / 12A	Power, 2.5 mm ²	AKM	MKN-N25-z-M23
MKD-N 6A / 12A	Power, Brake, 2.5 mm ²	AKM	MKN-B25-z-M23
MKD-N 24A	Power, 4 mm ²	AKM	MKH-N40-z-M23
MKD-N 24A	Power, Brake, 4 mm ²	AKM	MKH-B40-z-M23
MKD-N 24A	Power, 4 mm ²	AKM	MKH-N40-z-M40
MKD-N 24A	Power, Brake, 4 mm ²	AKM	MKH-B40-z-M40
MKD-N 24A	Power, 6 mm ²	AKM	MKH-N60-z-M40
MKD-N 24A	Power, Brake, 6 mm ²	AKM	MKH-B60-z-M40
MKD-N48A	Power, 10 mm ²	AKM	MKH-10N-z-M40
MKD-N 48A	Power, Brake, 10 mm ²	AKM	MKH-10B-z-M40
MKD-N 48A	Power, 16 mm ²	AKM	MKH-16N-z-M40
MKD-N 48A	Power, Brake, 16 mm ²	AKM	MKH-16B-z-M40
AKD-N	Power, 1.5 mm ²	AKM	CM0NA2-015
AKD-N	Power, Brake, 1.5 mm ²	AKM	CM1NA2-015
AKD-N	Power, 2.5 mm ²	AKM	CM0NA2-025
AKD-N	Power, Brake, 2.5 mm ²	AKM	CM1NA2-025

Motor Feedback Cables

Drive	Description	Motor	Order code
MKD-N	Enc.+Hall, Comcoder	AKM	AK7-AQB-z
MKD-N	EnDat 2.2, BiSS C	AKM	AK7-END-z
MKD-N	EnDat 2.1, BiSS B	AKM	AK7-END-z
MKD-N	SFD	AKM	AK7-SFD-z
AKD-N	Enc.+Hall, Comcoder	AKM	CFCNA2-002
AKD-N	EnDat 2.2, BiSS C	AKM	CFxNA2-002
AKD-N	EnDat 2.1, BiSS B	AKM	CFDNA2-002
AKD-N	SFD	AKM	CFSNA2-002

EtherCAT cables

Device	Description	Device	Order code
EtherCAT Master	Master cable	MKD-C X10	Standard, Cat.6
EtherCAT MKD-C X11	Module cable	MKD-N X27	Standard, Cat.6
EtherCAT MKD-N X28	Module cable	MKD-N X27	Standard, Cat.6
MKD-C X21A	Communication Adapter String 2	MKD-N X27	MKC-ETH-S-RJ4

11.4 Spare Parts

Description	Included Mating Connectors	Order Code
Connector Kit	X12, X13, X14, X15, X16, X25	MKD-C-ConKit
Connector Kit	X9A, X24A, X26A	MKD-N-ConKit Axis A
Connector Kit	X9B, X24B, X26B	MKD-N-ConKit Axis B
Connector 6...12A	X29A (6 pin, shield plate etc.)	CON-MKD-N-06-12-X29A
Connector 6...12A	X29B (6 pin, shield plate etc.)	CON-MKD-N-X29B
Connector 24...48A	X29A (4 pin, shield plate etc.)	CON-MKD-N-24-48-X29A
Connector 24...48A	X30A (2 pin)	CON-MKD-N-X30A

12 Approvals

12.1	Conformance with EU Machinery Directive, Functional Safety	140
12.2	Conformance with EU Low Voltage and EMC directive	140
12.3	Conformance with RoHS	141
12.4	Conformance with REACH	141
12.5	Conformance with UL/cUL	141
12.6	Conformance with UK	143

12.1 Conformance with EU Machinery Directive, Functional Safety

Conformance with the EC Machinery Directive 2006/42/EU is mandatory for the supply of safety components within the European Community. Kollmorgen declares the conformity of the MKD modules with the following directives:

- EC Directive 2006/42/EU, Machinery Directive
Used harmonized standards:
 - EN ISO 13849-1, EN ISO 13849-2
 - EN 62061
 - EN 61800-5-2

Resulting Functional Safety classification (SIL and/or PL level) for SBC must be calculated across the drive system.

12.1.1 Safe Torque Off (STO)

The STO implementation on the MKD is certified by TÜV. The safety circuit implementation used for the safety function "Safe Torque Off" in the drives is suited for SIL 2 according to IEC 62061 and PLd / CAT3 according to ISO 13849-1. Certificates can be found on the [Kollmorgen Developer Network](#).

Safe Torque Off (STO) string type (global)

Structure	STO	ISO 13849-1	MTTF _d	IEC 62061	PFH [1/h]	SFF [%]	T _M [Years]
MKD-C + 1 x AKD-N	global	PL d, CAT 3	≥ 100	SIL 2	1.86E-08	94.2	20
MKD-C+ 14 x AKD-N	global	PL d, CAT 3	≥ 100	SIL 2	1.86E-08	94.2	20
MKD-C + 14 AKD-N (String 2) + 14 AKD-N (String 3)	global	PL d, CAT 3	≥ 100	SIL 2	3.72E-08	94.2	20

Safe Torque Off (STO) local drive type (local)

Structure	STO	ISO 13849-1	MTTF _d	IEC 62061	PFH [1/h]	SFF [%]	T _M [Years]
14 x MKD-N (single axis)	local	PL d, CAT 3	≥ 100	SIL 2	3.97E-07	98.3	20
14 x MKD-N (dual-axis)	local	PL d, CAT 3	≥ 100	SIL 2	5.88E-07	98.3	20
28 x MKD-N (single axis)	local	PL d, CAT 3	≥ 100	SIL 2	7.94E-07	98.3	20
MKD-C + 1 x AKD-N-DS/DT	local	PL d, CAT 3	≥ 100	SIL 2	2.9E-08	95.9	20
MKD-C + 14 x AKD-N-DS/DT	local	PL d, CAT 3	≥ 100	SIL 2	4.12E-07	95.9	20

12.1.2 Brake Interruption Contact (required for SBC)

The brake interruption contact can be used to implement an SBC (**S**afe **B**rake **C**ontrol) functionality to the application. The implementation on the MKD is certified by TÜV for applications up to SIL 2 according to IEC 62061 and PLd / CAT2 according to ISO 13849-1. Resulting Functional Safety classification (SIL and/or PL level) for SBC must be calculated across the drive system. Component quality selection for logic and brake depends on the objectives to be achieved for PL and SIL. This must be determined and implemented by the user.

MTTF _d Values		
Safety PLC + Safety Relay	MKD-N	Motor-Brake
Manufacturer data	MTTF _d = infinite, because no error possible due to fault exclusions. Can be neglected in the overall calculation.	Manufacturer data

12.2 Conformance with EU Low Voltage and EMC directive

EU Declarations of Conformity can be found on the [Kollmorgen Developer Network](#).

The devices have been tested by an authorized testing laboratory in a defined configuration, using the system components that are described in this documentation. Any divergence from the configuration and installation described in this documentation means that the user will be responsible for carrying out new measurements to ensure conformance with regulatory requirements.

Kollmorgen declares the conformity of the MKD modules with the following directives:

- EC Directive 2014/35/EU, Low Voltage Directive
Used harmonized standard EN 61800-5-1
- EC Directive 2014/30/EU, EMC Directive
Used harmonized standard EN 61800-3

System MKD-C with MKD-N

- MKD-C must be powered from a 3 phase industrial supply network via a mains choke 3L.
- The MKD modules meet the noise immunity requirements to the 2nd environmental category (industrial environment).
- For noise emission the MKD system modules meet the requirement to a product of the category C2 (motor cable up to 10 m). With a motor cable length of 10 m or more, the system meets the requirement to the category C3.

NOTICE

These devices can cause high-frequency interferences in non industrial environments and may require measures for interference suppression (additional external EMC filters).

12.3 Conformance with RoHS

The drives are manufactured in conformance with the Directive 2011/65/EU (RoHS), including Delegated Directive 2015/863/EU for installation into Finished Electrical and Electronic Equipment (EEE). One or more exemptions per Annex III of Directive 2011/65/EU may be applicable.

The conformity is only valid on the delivery date.

The chemical composition of the product may change due to environmental influences.

12.4 Conformance with REACH

REGULATION (EC) No 1907/2006 OF THE EUROPEAN PARLIAMENT AND OF THE COUNCIL as of 18 December 2006 concerning the Registration, Evaluation, Authorization and Restriction of Chemicals [REACH Regulations].

EU REACH Article 33 – Communication on SVHC identified in the Candidate List of Substances of Very High Concern (SVHC) for Authorisation.

Articles used in AKD2G drives may contain REACH SVHCs in concentrations above 0.1%.

Contact your Kollmorgen Sales Representative for the most up to date REACH SVHC information.

The conformity is only valid on the delivery date.

The chemical composition of the product may change due to environmental influences.

12.5 Conformance with UL/cUL

MKD system products covered in UL file number **E217428**, Power Conversion Equipment:

- MKD (Modular Kollmorgen Drive) Decentral System, consisting of
 - Power supply MKD-CXXXX07-XXXX-XXXX and
 - Inverter module MKD-NXXXX07-XXXX-XXXX and/or
 - AKD-N3/6/12 with connection cables cat. no. MKC-HYB-x-AKN-XXX, and/or CCNNN1-025-XXXXX-00.
 - Choke 3L 0,5-63-4

USL - Indicates investigation to United States Standard **UL 61800-5-1**.

CNL - Indicates investigation to Canadian Standard for adjustable speed drives, **C22.2 No. 274**

UL Markings / Marquages UL

NOTE

For complete information on life cycle handling, technical data, and installation refer to the matching sections in this document.

English	Français
<ul style="list-style-type: none"> MKD-C is suitable for use on a circuit capable of delivering not more than 42kA rms symmetrical amperes, 480 V maximum, when protected by J Class Fuses. 	<ul style="list-style-type: none"> MKD-C est conçu pour une utilisation sur un circuit capable de fournir 42kA symétriques (rms) maximum pour 480 V maximum, lorsqu'il est protégé par des fusibles de classe J.
<ul style="list-style-type: none"> Only for use in WYE 480V/277V supply sources. 	<ul style="list-style-type: none"> À utiliser uniquement avec les sources d'alimentation WYE 480V / 277V.
<ul style="list-style-type: none"> Maximum surrounding air temperature 40°C. 	<ul style="list-style-type: none"> La température maximale de l'air ambiant de 40°C.
<ul style="list-style-type: none"> MKD-C are intended to be used in a pollution degree 2 environment. 	<ul style="list-style-type: none"> MKD-C sont prévus pour une utilisation dans un environnement de pollution de niveau 2.
<ul style="list-style-type: none"> MKD-C: Use 75°C copper wire only. 	<ul style="list-style-type: none"> MKD-C: Utilisez seulement un fil cuivre 75°C.
<ul style="list-style-type: none"> MKD-C: CAUTION: Risk of Electrical Shock! Capacitors can have dangerous voltages present up to 5 minutes after switching off the supply power. For increased safety, measure the voltage in the DC bus link and wait until the voltage is below 50 V. 	<ul style="list-style-type: none"> MKD-C: ATTENTION: Risque de choc électrique! Des tensions dangereuses peuvent persister dans les condensateurs jusqu'à 5 minutes après la mise hors tension. Pour plus de sécurité, mesurez la tension dans la liaison de bus CC et attendez qu'elle soit inférieure à 50 V.
<ul style="list-style-type: none"> Internal Overload Protection operates prior to reaching the 130% of the motor full load current. 	<ul style="list-style-type: none"> La protection interne contre les surcharges fonctionne avant d'atteindre 130% du courant à pleine charge du moteur.
<ul style="list-style-type: none"> Integral solid state short circuit protection does not provide branch circuit protection. Branch circuit protection must be provided in accordance with the National Electrical Code (Canada: Canadian Electrical Code, Part I) and any additional local codes. 	<ul style="list-style-type: none"> La protection intégrale contre les courts-circuits à l'état solide ne fournit pas de protection de circuit de dérivation. La protection du circuit de dérivation doit être fournie conformément au code électrique national (Canada: Code canadien de l'électricité, partie I) et à tout code local additionnel.

- The following Cartridge fuse types are recommended for branch circuit protection:
Les types de fusibles Cartridge suivants sont recommandés pour protection de secteur

Model/ Modèle	Class/ Classe	Voltage Rating / Niveau de tension	Max. Fuse&SCCR Rating / Niveau maximum & SCCR
MKD-C003007-NAEC	J	600 VAC	100 A, 200 kA
MKD-C001007-CAEC	J	600 VAC	100 A, 200 kA

- The following table illustrates the torque requirements for the field wiring connectors:
Le tableau suivant indique les spécifications de couple pour les connecteurs de câblage sur site:

Connector	Torque / Couple serrage	Wire size / Section de fil
MKD-C X12	30.9 - 39.8 lb-in (3.5 - 4.5 Nm)	2 awg (35 mm ²)
MKD-C X13	6.2 - 7.1 lb-in (0.7 - 0.8 Nm)	10 awg (6 mm ²)
MKD-C X14	2.6 - 6.2 lb-in (0.3 - 0.7 Nm)	8 awg (10 mm ²)
MKD-C X20A/B	2.6 - 6.2 lb-in (0.3 - 0.7 Nm)	10 awg (6 mm ²)
MKD-C X25	2.6 - 6.2 lb-in (0.3 - 0.7 Nm)	6 awg (16 mm ²)
MKD-N X29A/B (6A/12A)	6.2 - 7.1 lb-in (0.7 - 0.8 Nm)	10 awg (6 mm ²)
MKD-N X29A (24A/48A)	2.6 - 6.2 lb-in (0.3 - 0.7 Nm)	6 awg (16 mm ²)
MKD-N X30A (24A/48A)	2.6 - 6.2 lb-in (0.3 - 0.7 Nm)	16 awg (1.5 mm ²)

12.6 Conformance with UK

NOTE

Declarations of Conformity can be found on the Kollmorgen website.

Kollmorgen declares the conformity of the product series MKD with these regulations:

- S.I. 2008/1597, Supply of Machinery (Safety) Regulations 2008
 - Used designated standards EN 61800-5-2
- S.I. 2016/1101, Electrical Equipment (Safety) Regulations 2016
 - Used designated standard EN 61800-5-1
- S.I. 2016/1091, Electromagnetic Compatibility Regulations 2016
 - Used designated standard EN 61800-3

These products comply with **The Restriction of the Use of Certain Hazardous Substances in Electrical and Electronic Equipment Regulations 2012** for installation in a machine.

Kollmorgen authorized representative for UK government authority: Twiflex, Amphill Road, Bedford, MK42 9RD, UK

13 Index

A

Abbreviations	10
Accessories	
Cables	137
Mains choke	133
Regen Resistors	134
Address	
EtherCAT	121
IP	121
MAC	121
Ambient Conditions	33
Ambient temperature	33
Aux. supply 24V, interface	76

B

Brake interruption contact	116
---	------------

C

Cable and Wire Requirements	36
Cable Length Definition	38
Conformance	
CE	140
REACH	141
RoHS	141
Safety	140
UK	143
UL, cUL	141
Connection Diagram	63
Connection Overview	59
Connector Assignments	59
Connectors	34

D

DC bus link, interface	81
DC Power String, interface	80
Decommission	22
Digital inputs	95-96
Dimensions	
Standard Width	46
Disassemble	22
Disposal	23
Document Revisions	148
Dynamic Braking	39

E

Electrical Data	31
Emergency Off	15
Emergency Stop Function	15
ENABLE	96
Enclosure protection	33
EtherCAT	101

F

Fault messages	127
FAULT relay	98
Fieldbus String, interface	80
Functional Safety	103
Fusing	33

G

Global STO	108
Ground System	34
Grounding	50

H

Humidity	
in operation	33
Storage	21
Transport	21

I

I/O-Connection	92
Initial Drive Test	124
Inputs	
Basic Data	92
Digital	96
Enable	96
Programmable	95
STO	108
Installation	
Electrical	49
Mechanical	45
Software WorkBench	124
Installation, Setup, Normal Operation	21

L

Labels	19
Leakage current	14

M

Mains supply, interface	75
Maintenance	22
Marquages UL	142
Mechanical Data	30
MKD Multiaxes System	29
Motor interface	85
Motor overload protection	85
Mounting position	33

N

Nameplate	25
Noise Emission	33

O

Outputs	
Basic Data	92
Relay	98

Transistor	98
P	
Package supplied	25
Packaging	21
Part number scheme	26
PC connection	101
Performance Data	30
Pollution level	33
Prohibited Use	
General	19
STO	105
Pushbutton B1	42
R	
Re-forming	21, 120
REACH	141
Regen circuit	39
Regen resistor, interface	84
Repair	23
Response Time	
Brake Interruption	116
STO	107
RoHS	141
S	
Safe Torque Off (STO)	108
Safety	
Brake Interruption	116
Functional Safety	103
Product Safety	12
STO	104
Safety Instructions	
Brake Interruption	116
Drive Setup	120
Electrical Installation	49
General	12
Mechanical Installation	45
STO	104
Service Interface	101
Setup	120
Setup Software	122
Shielding	50
Shock-hazard protection	14
Site	45
Site altitude	33
Stacking Height	
Storage	21
Transport	21
STO	108
STO Response Time	107
Stop Function	15
Storage	21
Supply networks	74
Symbols used	9
System Topology	55

T

Temperature	
in operation	33
Storage	21
Transport	21
Tightening torques, connectors	35
Transport	21
Trouble Shooting	133

U

UL Markings	142
Use as directed	
General	17
STO	105
WorkBench Setup Software	123

V

Ventilation	33
Mechanical Installation	45
Vibrations	33

W

Warnings	127
Wiring	52
WorkBench	122
Hardware requirements	123
Installation	124
Operating systems	123

14 Record of Document Revisions

Revision	Remarks
A, 01/2019	First edition
B, 07/2019	Connectors male-female corrected, MKD-C-CA added, RoHS statement, UL completed, STO certified, brake interruption added, noise emission, X23 sense changed to Up, X25 poles and pitch, fusing, faults/warnings updated
...	Table with lifecycle information of this document see (→ # 148)
C, 09/2019	Chapter used standards removed, electrical data completed, 42kA rating, DC-Bus chapter completed, SuperCap notes added, Brake interruption contact completed, UL markings updated, Chapter functional safety completed
D, 02/2020	Thermal dissipation and efficiency factor added
E, 10/2021	Global STO Input current corrected, Fusing regen resistor updated (FPS removed), AKD-N support based on AKD-N hardware revision, chapter "Shielding connection to the system modules" improved, chapter "Approvals" restructured
F, 07/2024	Conformity with UK, content referring to DVD removed/replaced, new support page, addition to RoHS and REACH conformity

Support and Services

About Kollmorgen

When you need motion and automation systems for your most demanding applications and environments, count on Kollmorgen - the innovation leader for more than 100 years. We deliver the industry's highest-performing, most reliable motors, drives, AGV control solutions and automation platforms, with over a million standard and easily modifiable products to meet virtually any motion challenge. We offer manufacturing facilities, distributors and engineering expertise in all major regions around the world, so you can bring a better machine to market faster and keep it profitable for many years to come.

Kollmorgen Developer Network



Join the [Kollmorgen Support Network](#) for product support. Ask the community questions, search the knowledge base for answers, get downloads, and suggest improvements.



Kollmorgen Support Locations

North America

Kollmorgen

201 West Rock Road
Radford, VA 24141, USA

Web: www.kollmorgen.com
Email: kollmorgen.support@regalrexnord.com
Tel.: +1-540-633-3545
Fax: +1-540-639-4162

Europe

Kollmorgen Europe GmbH

Pempelfurtstr. 1
40880 Ratingen, Germany

Web: www.kollmorgen.com
Email: Technical.Support.EU@regalrexnord.com
Tel.: +49-2102-9394-0
Fax: +49-2102-9394-3155

South America

Altra Industrial Motion do Brasil

Equipamentos Industriais LTDA.
Avenida João Paulo Ablas, 2970
Jardim da Glória, Cotia – SP
CEP 06711-250, Brazil

Web: www.kollmorgen.com
Email: kollmorgen.contato@regalrexnord.com
Tel.: (+55 11) 4615-6300

China and SEA

KOLLMORGEN

Room 302, Building 5, Libao Plaza,
88 Shenbin Road, Minhang District,
Shanghai, China.

Web: www.kollmorgen.cn
Email: Sales.China@regalrexnord.com
Tel.: +86-400 668 2802